

1968 - 1982 PARTS

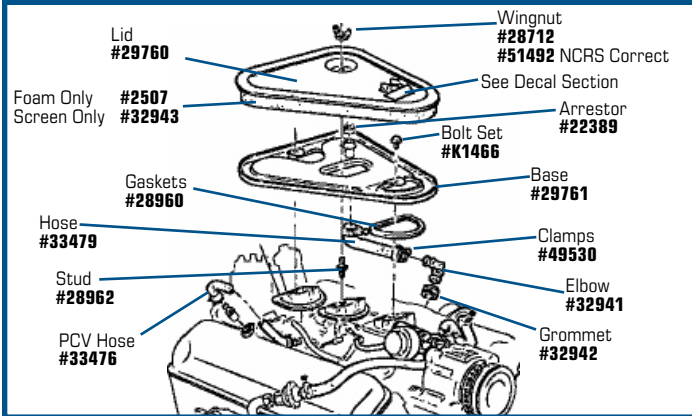
AIR CLEANERS



1968-1972 AIR CLEANER ASSEMBLIES

- 20888** 68-71 Air Cleaner - 68-69 All exc 3x2, 70 All exc LT1 & 454, 71 454/425 HP **\$169⁹⁹**
- 20887** 68-69 Air Cleaner - 427 3x2 **\$334⁹⁹**
- 28950** 70-72 Air Cleaner - Dual Snorkle - 70 454/390 HP, 71 350/270 HP & 454/365 HP, 72 All exc LT1 .. **\$385⁹⁹**
- 20886** 70-72 Air Cleaner - LT1 - w/ wingnut & flame arrestor... **\$129⁹⁹**
- 51276** 68-72 Air Cleaner - 427, exc 3x2, exc LT1 **\$119⁹⁹**
- 50453** 68-72 Air Cleaner - Super Flow - Chrome - 14" w/ black edge lid, reusable filter, stud & wingnut **\$99⁹⁹**

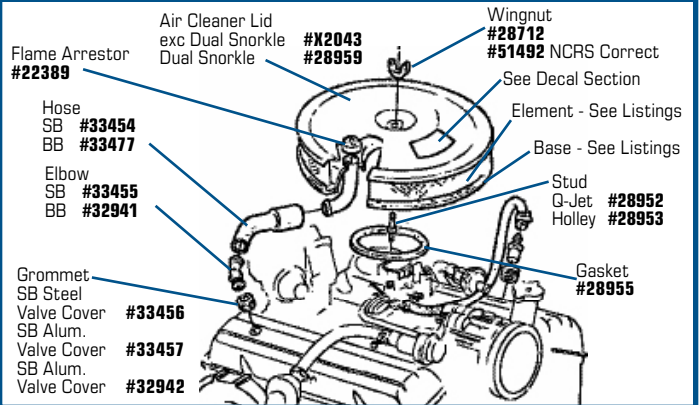
1968-1969 427 3X2 AIR CLEANER



1968-1974 AIR CLEANER COMPONENTS

- 29761** 68-69 Air Cleaner Base - 427 - 3x2 **\$219⁹⁹**
- K1466** 68-69 Air Cleaner Base to Carb. Bolts - 3x2 - pr **\$5⁹⁹**
- 28960** 68-69 Air Cleaner to Carburetor Gaskets - 3x2 - 3 pc.... **\$10⁹⁹**
- 2507** 68-69 Air Cleaner Element Foam Only - 3x2 **\$24⁹⁹**
- 32943** 68-69 Air Cleaner Element Screen Only - 3x2 **\$44⁹⁹**
- 22389** 68-72 Air Cleaner Flame Arrestor **\$9⁹⁹**
- 29760** 68-69 Air Cleaner Lid - 427 - 3x2 **\$129⁹⁹**
- 28962** 68-69 Air Cleaner Stud - 3x2..... **\$4⁹⁹**
- 28712** 68-82 Air Cleaner Wingnut - Chrome..... **\$1⁹⁹**
- 51492** 68-72 Air Cleaner Wingnut - NCRS Correct..... **\$9⁹⁹**
- 33479** 68-69 Hose - Air Cleaner to Valve Cover - LH - 3x2..... **\$16⁹⁹**
- 33476** 68-69 PCV - Hose - RH - 3x2..... **\$11⁹⁹**
- 49530** 68-69 Hose Clamps - 3x2 Air Cleaner to Valve Cover **\$9⁹⁹**
- 50525** 68-72 Hose Clamp - 3x2..... **\$6⁹⁹**
- 33421** 68-72 Air Cleaner Flame Arrestor **\$7⁹⁹**
- 32941** 68-69 Vent Tube Elbow in Valve Cover - 396/427 **\$16⁹⁹**
- 32942** 68-74 Vent Tube Grommet in Valve Cover..... **\$1⁹⁹**

1968-1972 AIR CLEANER



L88 AIR CLEANER

- 25619** 68-69 Air Cleaner Base - L88, LT1 **\$59⁹⁹**
- 40825** 68-69 Air Cleaner Element - L88 **\$15⁹⁹**
- 22389** 68-72 Air Cleaner Flame Arrestor **\$9⁹⁹**
- 40821** 68-69 Air Cleaner Lid - L88 **\$41⁹⁹**
- 51325** 68-72 Air Cleaner Lid - Chrome w/ Silk Screen Decal - exc 427 3x2, exc 70-72 Dual Snorkle **\$121⁹⁹**
- X2043** 68-72 Air Cleaner Lid - Chrome 327, 350, 427 exc 3x2 **\$46⁹⁹**
- 28959** 70-72 Air Cleaner Lid - Dual Snorkle **\$141⁹⁹**
- 40824** 68-69 Air Cleaner Screen - L88 on AC Base..... **\$13⁹⁹**
- 40823** 68-69 Air Cleaner Seal - L88 Base to Hood **\$17⁹⁹**
- 28951** 68-71 Air Cleaner Base - 68-69 All exc 3x2, 70 All exc LT1 & 454, 71 454/425 HP **\$67⁹⁹**
- 36251** 70-72 Air Cleaner Base - Dual Snorkle **\$229⁹⁹**
- 28955** 68-81 Air Cleaner to Carburetor Gasket (Holley/Q Jet) **\$2⁹⁹**
- 33453** 71-72 AC Element - Open - Correct Horiz. Cut Mesh..... **\$64⁹⁹**
- 33450** 68-72 AC Element - Paper - 68-69 All, 70-72 HP **\$11⁹⁹**
- 33451** 70-72 AC Element - Paper - 70-72 exc HP, 73-74 All..... **\$8⁹⁹**
- 28953** 68-72 Air Cleaner Stud - Holley..... **\$3⁹⁹**
- 28952** 68-72 Air Cleaner Stud - Quadra Jet **\$3⁹⁹**
- 28712** 68-82 Air Cleaner Wingnut - Chrome..... **\$1⁹⁹**
- 51492** 68-72 Air Cleaner Wingnut - NCRS Correct..... **\$9⁹⁹**



- 49530** 68-72 Air Cleaner to Valve Cover Hose Clamp \$9⁹⁹
- 33454** 68-72 Hose - AC to Valve Cover Vent Tube - RH - 327/350 \$13⁹⁹
- 33477** 68-72 Hose - AC to RH Valve Cover - Curved - 427/454 .. \$10⁹⁹
- 32940** 68-72 Hose - AC to Valve Cover - Straight - 427/454 \$4⁹⁹
- 32945** 68-72 Hose Clamp - AC to Valve Cover \$1⁹⁹
- 32948** 68-72 PCV Grommet in Valve Cover - 427/454 - RH \$2⁹⁹
- 32946** 68-70 PCV Hose - 427/454 exc 3x2 \$16⁹⁹
- 32947** 68-72 PCV Valve - 3x2 & 70-72 454 - exc HD \$4⁹⁹
- 42036** 68-72 PCV Valve \$4⁹⁹
- 33455** 68-72 Vent Tube Elbow in RH Valve Cover - 327/350 \$12⁹⁹
- 32941** 68-72 Vent Tube Elbow in Valve Cover - 396/427 \$16⁹⁹
- 32942** 68-72 Vent Tube Grommet in Valve Cover - 427/454 \$1⁹⁹
- 33456** 68-72 Vent Tube Grommet - RH Steel Valve Cover \$2⁹⁹

1976-1982 AIR CLEANER

Wingnut 76-82 - Black #29757
68-82 - Chrome #28712
Chrome Cover #28958
Filter Clip #33462
Filter 73-81 #33461
Tube #33460
Hose #33459
Flex Hose #33469
Side Duct Hose #23049
Side Intake Duct 78-81 L82 #33466
Front Intake Duct 78-81 L82 #33468
Front Duct Hose #23059

- 28955** 68-81 Air Cleaner to Carburetor Gasket (Holley/Q Jet) \$2⁹⁹
- 30117** 82 Air Cleaner to Carburetor Gasket - 2 req'd \$4⁹⁹
- 33452** 75-81 Air Cleaner Element - Paper \$8⁹⁹
- 33471** 82 Air Cleaner Element - Paper - Crossfire - 2 req'd \$8⁹⁹
- 28958** 76-81 Air Cleaner Lid - Chrome \$42⁹⁹
- 28954** 75-81 Air Cleaner Stud \$3⁹⁹
- 29757** 76-82 Air Cleaner Wingnut - Black \$3⁹⁹
- 28712** 68-82 Air Cleaner Wingnut - Chrome \$1⁹⁹
- 50691** 80-82 Air Cleaner Temperature Sensor \$94⁹⁹
- 23059** 76-81 Air Duct Hose - Front \$17⁹⁹
- 33468** 78-81 Air Intake Duct - Front - L82 \$40⁹⁹
- 33466** 78-81 Air Intake Duct - Side - L82 \$70⁹⁹
- 23049** 76-82 Air Intake Duct Hose - Side \$17⁹⁹
- 33469** 76-82 Carb Air Heat Hose - Flex Aluminum \$7⁹⁹
- 33459** 73-81 Hose - Vent Tube to Air Cleaner \$2⁹⁹
- 33461** 73-81 Vent Filter - Inside AC Base \$3⁹⁹
- 33462** 73-82 Vent Filter U-Clip \$1⁹⁹
- 33460** 76-81 Vent Tube - Air Cleaner to Valve Cover \$9⁹⁹

1973-1975 AIR CLEANER

Air Cleaner to Hood Seal #43813
Air Cleaner Lid (See Listings)
Hose #33459
Tube #33458
Wingnut - Chrome 68-82 #28712
Air Cleaner Adapter Ring 73-74 #33463
75 #33464
Air Cleaner Base 73-74 #28956
75 #36252
Stud Q-Jet #28952
75-81 #28954



- 33457** 73-75 Vent Tube Grommet - RH Alum. Valve Cover \$5⁹⁹
- 28956** 73-74 Air Cleaner Base \$199⁹⁹
- 36252** 75 Air Cleaner Base \$199⁹⁹
- 28955** 73-75 Air Cleaner to Carburetor Gasket (Holley/Q Jet) \$2⁹⁹
- 33451** 70-74 Air Cleaner Element - Paper - 70-72 exc HP, 73-74 All \$8⁹⁹
- 33452** 75-81 Air Cleaner Element - Paper \$8⁹⁹
- 43813** 73-75 Air Cleaner to Hood Seal \$59⁹⁹
- 33463** 73-74 Air Cleaner to Hood Seal Adapter Ring \$79⁹⁹
- 33464** 75 Air Cleaner to Hood Seal Adapter Ring \$79⁹⁹
- 28957** 73-75 Air Cleaner Lid (Black) - Base Engine \$61⁹⁹
- 29733** 73-75 Air Cleaner Lid (Chrome) - Aftermarket \$39⁹⁹
- 28952** 73-74 Air Cleaner Stud - Quadra Jet \$3⁹⁹
- 28954** 75-81 Air Cleaner Stud \$3⁹⁹
- 28712** 68-82 Air Cleaner Wingnut - Chrome \$1⁹⁹
- 33478** 73-74 Crankcase Vent Tube - 454 \$19⁹⁹
- 33459** 73-75 Hose - Vent Tube to Air Cleaner \$2⁹⁹
- 33461** 73-75 Vent Filter - Inside AC Base \$3⁹⁹
- 33462** 73-75 Vent Filter U-Clip \$1⁹⁹
- 33458** 73-74 Vent Tube - Air Cleaner to Valve Cover - 350 \$19⁹⁹

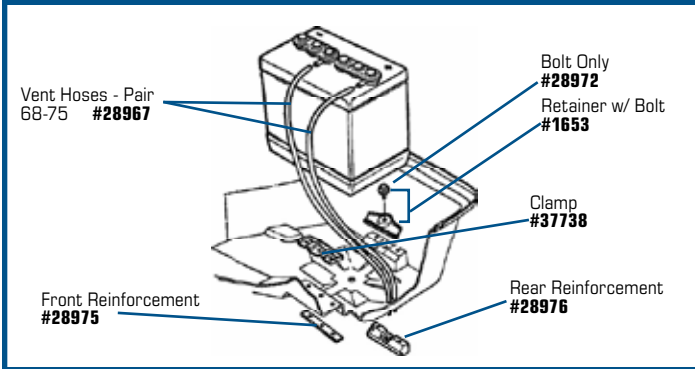


1968-82 K&N REUSABLE HIGH-FLOW AIR FILTERS

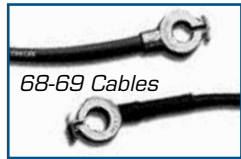
Save \$\$\$ with these high-performance, high-flow filters that you can use again and again. K&N Hi-Performance air filters increase air flow, improving power and mileage; operate at a higher level of efficiency for a longer period of time than stock filters; and are washable, reusable filters that will be good for the life of your engine.

- 50464** 68-69 K&N Air Filter Element - 3x2 \$69⁹⁹
- 50454** 68-72 K&N Air Cleaner Top X-Stream - Black \$69⁹⁹
- 50456** 70-74 K&N Air Filter Element - All exc w/ Holley carb \$49⁹⁹
- 50458** 75-81 K&N Air Filter \$49⁹⁹
- 50459** 82 K&N Air Filter \$43⁹⁹
- 50465** 68-72 K&N Air Filter - 69 all exc 3x2, 70-72 all exc w/ Holley carb \$49⁹⁹
- 50450** K&N Air Filter Cleaner \$11⁹⁹
- 50451** K&N Air Filter Recharger Kit \$12⁹⁹
- 50455** K&N Sealing Grease \$10⁹⁹

1968-1982 BATTERY



- 36960** 68-73 Battery Cable to Shield Clamp \$10⁹⁹
- 30826** 68-82 Battery Cable to Solenoid Clamp..... \$16⁹⁹
- 33680** 68-82 Battery Cable Stud Plate Fastener - 4 req'd \$6⁹⁹
- 36254** 68-75 Battery Cable Support Bracket to Bellhousing \$13⁹⁹
- 36257** 68-79 Battery Compartment Door Seal..... \$4⁹⁹
- 51475** 68-79 Battery Compartment Door Seal - Reproduction..... \$8⁹⁹
- 36255** 68 Battery/Jack Compartment Insulation - 2 pc set... \$81⁹⁹
- 34397** 68-82 Battery Hold Down Kit \$24⁹⁹
- 1653** 68-82 Battery Hold Down w/ Bolt \$8⁹⁹
- 28972** 68-82 Battery Hold Down Bolt \$0⁹⁹
- 37738** 68-82 Battery Hold Down Clamp \$6⁹⁹
- 28975** 68-82 Battery Hold Down Reinforcement - Front \$3⁹⁹
- 28976** 68-82 Battery Hold Down Reinforcement - Rear \$8⁹⁹
- 28967** 68-75 Battery Vent Hoses - pr..... \$9⁹⁹



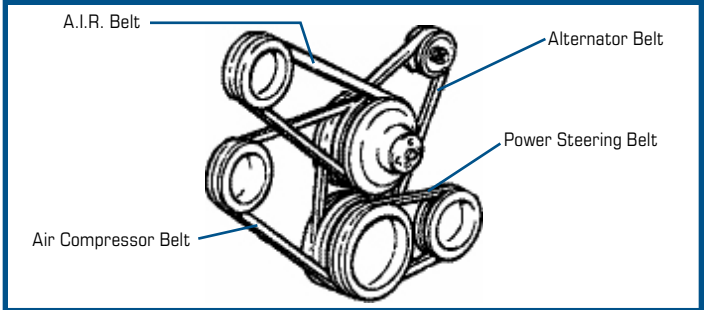
BATTERY CABLES

- 20689** 68-69 Battery Cables - 69E Spring Ring - pr \$108⁹⁹
- 2917** 69 Battery Cables - 69L - pr -
(Does Not have Spring Ring Connectors.
Cable threads in battery)..... \$122⁹⁹
- 2918** 70 Battery Cables - pr..... \$122⁹⁹
- 2919** 71 Battery Cables - pr..... \$122⁹⁹
- 33480** 72-74 Battery Cables - Correct w/ Grommets - pr \$122⁹⁹
- 33481** 75-79 Battery Cables - Correct w/ Grommets - pr \$122⁹⁹
- 33482** 75-80 Battery Cables - Neg. & Positive - Side Post \$122⁹⁹
- 38068** 76-82 Battery Cable Clamp w/ Bolts - 12 pc \$24⁹⁹
- 25030** 68-69 Battery Disconnect Switch - Top Post..... \$9⁹⁹
- X2515** 70-82 Battery Disconnect Switch - Side Post..... \$9⁹⁹
- K1473** 70-82 Battery Disconnect Switch Bolt - Side Post..... \$0⁹⁹



Fast Service & Delivery
Most orders are
processed & shipped
the same day!

1968-1982 BELTS



REPRODUCTION AC COMPRESSOR - BIG BLOCK

- 51588** 68 GM# 3921905..... \$41⁹⁹
- 51594** 69 GM# 3946010..... \$41⁹⁹
- 51597** 70-71 454 - GM# 3949948..... \$40⁹⁹
- 51601** 72 454 w/o A.I.R. - GM# 3999272..... \$40⁹⁹
- 51602** 72-73 454 - GM# 3921905..... \$41⁹⁹
- 36308** 74 454 w/ A.I.R. \$26⁹⁹

REPRODUCTION

AC COMPRESSOR BELT - SMALL BLOCK

- 51583** 68 327 - GM# 3847705..... \$41⁹⁹
- 51591** 69 350 - GM# 3880858..... \$41⁹⁹
- 51596** 70-73 350 - GM# 3991410..... \$41⁹⁹
- 51598** 71 350 - GM# 3997743..... \$41⁹⁹
- 36305** 73 350 - Delco..... \$20⁹⁹
- 51604** 74 350 - GM# 9433770..... \$30⁹⁹
- 51608** 76-77 76 After 3/76 - 77 Before 9/76 \$30⁹⁹
- 51609** 77-79 77 350 after 3/76 -
78 350 L48 w/ MT, L48 w/ AT, w/ CA Emissions
or High Altitude, L82 w/ AT -
79 L48 1st Design - GM# 9433918..... \$30⁹⁹
- 51611** 79-80 79 350 L82 2nd Design -
80 All L82 - GM# 9433915..... \$30⁹⁹
- 51610** 79-81 79 350 L48 2nd Design -
80 L48 - 81 All - GM# 9433917 \$30⁹⁹
- 36312** 78-82 78 L48 Auto, 78 L82 4 spd,
79 L82 Early until 8/78, 82 All - GM# 9433916.. \$35⁹⁹

REPRODUCTION A.I.R. PUMP BELT - BIG BLOCK

- 36261** 68 427 w/o AC - w/o SHP - GM# 3850962 \$29⁹⁹
- 51589** 68 427 w/ AC - GM# 1921905 \$41⁹⁹
- 51595** 69-71 69 427 w/o AC - 71 454, LS6 - GM# 3946009.. \$29⁹⁹
- 51600** 72 454 w/o AC - GM# 3881872..... \$29⁹⁹
- 51602** 72-73 454 - GM# 3921905..... \$41⁹⁹
- 51603** 73-74 454 w/o AC - GM# 9433611..... \$31⁹⁹

REPRODUCTION A.I.R. PUMP BELT - SMALL BLOCK

- 36276** 68-69 68-69 350 HP w/ PS & AC - GM# 38850962 \$29⁹⁹
- 36275** 68-72 68 327 All exc w/ PS & AC, 69 350 All exc
w/ PS & AC, 70-72 350 LT1 - GM# 3881872 \$24⁹⁹
- 36314** 73-79 73 350 All, 75-79E until 8/78 350 w/o AC,
78 L48 Auto Hi Alt, 78 L82 4spd w/ AC -
GM# 9433615..... \$35⁹⁹
- 36316** 74-79 74-77 350 w/ AC, 78 L48 w/ AC,
78 L82 Auto w/ AC, 79 All w/ AC, 79 L82 w/o AC -
GM# 9433616..... \$26⁹⁹
- 36317** 80 80 w/ Manual - GM# 9433611 \$29⁹⁹
- 36318** 80 80 w/ Auto..... \$26⁹⁹
- 36319** 81 81 All - GM# 9433614 \$26⁹⁹
- 51612** 82 350 - GM# 9433613..... \$30⁹⁹

Reproduction Belts

or

Replacement Belts



1968-1972 **Original GM Belts** are Wrapped Design belts and include the GM Emblem, GM Part Number, Broadcast Code (where applicable), Belt Size (where applicable), Manufacturer's Symbol and Construction Codes.
 1973-1982 **Original GM Belts** are Cut-Edge Design with white label markings that include the GM Emblem, GM Part Number, Broadcast Code (where applicable), Belt Size, Manufacturer's Symbol and Date Codes.



1968-1982 **Replacement Belts** are either Cut Style or Wrapped Style belts and will not include GM Part Number or any markings that were on original belts. **Replacement Belts** are strictly a functional replacement and are an economical alternative to Reproduction Belts.

(FIND REPLACEMENT BELT LISTINGS IMMEDIATELY FOLLOWING THE REPRODUCTION BELTS)

REPRODUCTION ALTERNATOR BELT - BIG BLOCK

36979	68	427 w/o AC & w/o PS - GM# 3882814.....	\$29⁹⁹
36277	68	427 w/o AC or w/o PS - GM# 3837810.....	\$29⁹⁹
51585	68-69	68 427 w/ PS - 69 427 w/ PS, w/o AC - GM# 3878243	\$27⁹⁹
36278	68-70	68-69 390 & 435 HP & L88 w/ PS, 70 454 w/ PS - GM# 3878243.....	\$36⁹⁹
51586	68-72	68 427 w/ AC, w/o PS - 69 427 w/o PS - 70 454 w/o PS - 71 454 w/o PS, w/o AC, w/o LS6 - 72 454 w/o AC, w/o PS - GM# 3940991	\$41⁹⁹
51592	69-72	69 427 w/ PS, w/ AC - 71-72 454 w/ PS - GM# 3883979	\$28⁹⁹
36258	68-72	68 427 w/ PS & AC, 69 400 & 430 HP w/ PS, 71-72 454 w/ PS - GM# 3883979	\$27⁹⁹
51599	71-72	71 w/ LS6 - 71-72 454 w/o PS, w/AC - GM# 3959166	\$37⁹⁹
36295	73	454 w/o PS	\$26⁹⁹
36287	73-74	73 454 w/ PS, 74 454 w/ PS w/o AC - GM# 326092.....	\$35⁹⁹
51605	74	454 w/o PS - GM# 9433658	\$30⁹⁹

REPRODUCTION ALTERNATOR BELT - SMALL BLOCK

36271	68	300-350 HP w/ AC - GM# 3847710	\$36⁹⁹
51578	68	327 w/o AC - GM# 3861946.....	\$36⁹⁹
51590	69	350 - GM# 3959166	\$36⁹⁹
36306	70-72	350 HP & LT1, w/ AC - GM# 3847704	\$36⁹⁹
36284	73-74	350 w/o AC - GM# 326088.....	\$35⁹⁹
36285	73-74	350 w/ AC - GM# 326089	\$35⁹⁹
36296	75-80	75-77E w/o AC - L82 79L w/AC - 80 All - GM# 9433655.....	\$26⁹⁹
36291	75-76	w/ AC - GM# 9433657	\$35⁹⁹
36292	77-79	w/o AC - 77 Late - 2/77 and later.....	\$35⁹⁹
36293	77-79	w/ AC - 77 Late - after 1/77, 78 L48 w/ AC, 79 L48 w/ AC until 8/78 - GM# 6433656.....	\$29⁹⁹
36294	78-79	L82 w/ AC - 79E up to 8/78 - GM# 6433656	\$29⁹⁹
36295	79-82	79 Late - after 8/78 - L48 w/ AC, 80 L48 w/ 70 Amp Alternator, 81-82 w/ 70 Amp Alternator	\$26⁹⁹
36296	79-80	79 Late - after 8/78 - L82 w/ AC, 80 L82 All - GM# 9433655.....	\$26⁹⁹
36297	80-82	w/o 70 Amp Alt	\$26⁹⁹

REPRODUCTION POWER STEERING BELT - BIG BLOCK

36339	68-72	427 - GM# 3940992	\$38⁹⁹
36320	69	427 - GM# 3946010	\$39⁹⁹
36300	73-74	All - GM# 326084	\$29⁹⁹
51607	74	454 w/ AC - GM# 9433636	\$30⁹⁹
51606	74	454 w/o AC - GM# 9433637	\$30⁹⁹

REPRODUCTION

POWER STEERING BELT - SMALL BLOCK

36272	68-72	68-69 350 HP w/o AC, 70 350 HP & LT1, 71-72 350 HP w/o AC - GM# 3848255	\$32⁹⁹
36273	68-72	68-70 300 HP, 71-72 350 w/ AC - GM# 3874424.....	\$31⁹⁹
36300	73-74	350 w/o AC - GM# 326084.....	\$29⁹⁹
36301	73-74	350 w/ AC - GM# 326083	\$35⁹⁹
36304	75-82	All - GM# 9433622	\$30⁹⁹

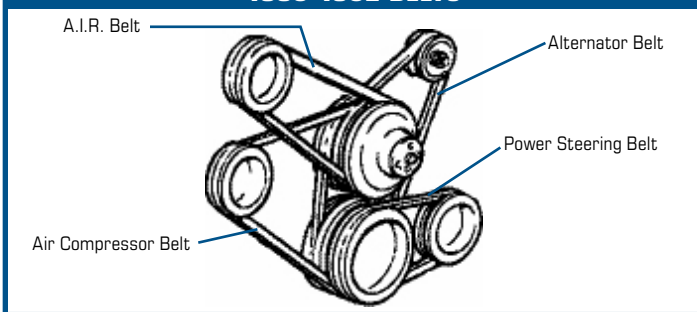
REPRODUCTION WATER PUMP BELT - BIG BLOCK

51582	68	427 w/o AC, before 3/68 - GM# 3935420.....	\$29⁹⁹
51587	68	427 w/o AC, 2nd Design - GM# 3889374.....	\$28⁹⁹
36262	68	427 w/o AC - 32-1/4" long - GM# 3889374.....	\$36⁹⁹
36340	68-69	427 w/ AC - GM# 3940990	\$28⁹⁹
51593	69-72	69 427 w/o AC - 70-72 454 - GM# 3952336	\$33⁹⁹
36299	73-74	454 - GM# 3952336	\$35⁹⁹

REPRODUCTION WATER PUMP BELT - SMALL BLOCK

51581	68	327 350hp w/o PS, w/o AC, 1st Design - GM# 3837810.....	\$29⁹⁹
51582	68-79	68 327 350hp w/o PS, w/o AC, 2nd Design - 69-74 350 w/o AC, w/o PS - 70-71 350 LT1 - 75-79 350 w/o AC - GM# 3935420.....	\$29⁹⁹
51579	68	327 300hp w/o AC - GM# 3927158	\$29⁹⁹
51580	68-70	w/o AC - GM# 3941116.....	\$29⁹⁹
36265	69-71	69-70 300hp w/o AC, 71 350 - GM# 3941116	\$29⁹⁹
36281	70-72	70 LT1, 72 350 w/o AC w/o PS - GM# 3935420.....	\$24⁹⁹

1968-1982 BELTS



Replacement Belts

1968-1982 **Replacement Belts** are either Cut Style or Wrapped Style belts and will not include GM Part Number or any markings that were on original belts. **Replacement Belts** are strictly a functional replacement and are an economical alternative to Reproduction Belts.

(ALSO SEE REPRODUCTION BELTS ON PREVIOUS PAGES.)

REPLACEMENT AC COMPRESSOR - BIG BLOCK

51179	68-69	68-69 BB	\$16⁹⁹
51166	70	70 BB w/ AC	\$18⁹⁹
51171	73	73 BB w/o A.I.R.	\$15⁹⁹

REPLACEMENT AC COMPRESSOR BELT - SMALL BLOCK

22678	68	327 w/o PS	\$15⁹⁹
22679	69	350 w/ PS	\$15⁹⁹
51175	68-69	68-69 SB 350 hp w/o PS	\$18⁹⁹
51166	68-76	68 SB w/ 300-350 hp, w/ PS - 69 58-5/8" - 70 SB - 71-75 SB - 76 Early 58-1/2"	\$18⁹⁹
36309	75-76	76E until 3/76	\$20⁹⁹
51183	76-78	76L-77 57-1/4" - 78 w/ AT	\$21⁹⁹
51185	78-79	78 w/ MT - 79 L82	\$19⁹⁹
51187	79-82	78-80 350 exc. L82 - 81-82 All	\$19⁹⁹
51186	80	80 L82	\$19⁹⁹

REPLACEMENT A.I.R. PUMP BELT - BIG BLOCK

51180	69	69 BB w/o HP	\$14⁹⁹
51181	69	69 BB w/ SHP	\$14⁹⁹
51179	68-69	68 BB w/ AC	\$16⁹⁹
51174	68-72	68 BB w/o AC - 71-72 BB	\$14⁹⁹

REPLACEMENT A.I.R. PUMP BELT - SMALL BLOCK

51176	68	68 SB 300 hp, w/o AC	\$14⁹⁹
51172	68-69	68 SB 300 hp, w/ AC	\$14⁹⁹
51173	68-79	68 SB 350 hp, w/ AC - 75-79 w/ AC	\$14⁹⁹
51182	69-80	69 SB 32-3/4" - 70-72 SB w/ SHP 73-74 SB - 75-77 w/o AC - 78 w/o AC w/ 5-3/4" Pulley - 79 w/o AC exc L82 - 80 w/ AT	\$14⁹⁹
51174	81	81 All	\$14⁹⁹
51181	82	82 All	\$14⁹⁹

REPLACEMENT ALTERNATOR BELT - BIG BLOCK

22669	68-70	390, 425hp w/o AC, w/o PS	\$15⁹⁹
22671	68-73	68 425hp w/ AC & w/ PS, 69-73 427 & 454	\$15⁹⁹
51164	68-71	68-69 BB w/o AC, w/o PS - 71 BB w/ SHP, w/o AC	\$16⁹⁹
51163	68-74	68 BB w/ AC, w/o PS - 72 BB w/ AC - 73-74 BB w/o AC, w/o PS	\$16⁹⁹
51167	71-74	71-72 BB w/ SHP, w/o AC - 73-74 BB w/ AC, w/o PS	\$16⁹⁹
36288	74	454 w/o PS	\$16⁹⁹
36289	74	454 w/ PS w/ AC	\$15⁹⁹

REPLACEMENT ALTERNATOR BELT - SMALL BLOCK

22666	68	300 hp w/o AC	\$15⁹⁹
51169	68-79	68 SB 300-350 hp, w/o AC, w/o PS - 69 SB SHP - 70-72 SB w/o AC - 78-79 w/ AC, w/ AT (vin H) - 78-79 w/ AC L48	\$16⁹⁹
51168	68-80	68 SB 350 HP w/ AC, w/o PS - 73-79 SB w/o AC - 80 L82	\$16⁹⁹
51163	68-82	68-69 SB w/ AC, w/ PS 350 HP - 69 SB w/o AC, w/o SHP - 70-74 SB w/ AC - 80-82 w/ 70 amp., exc 80 L82	\$16⁹⁹
51167	76-82	76-77 w/ AC - 80-82 w/o 70 amp	\$16⁹⁹
51184	78-79	78 w/ AC, w/ MT (vin H) - 79 w/ AC L82	\$16⁹⁹

REPLACEMENT FAN BELT

51181	70	70 BB	\$14⁹⁹
51165	70-72	70-72 SB w/o AC, w/o SHP	\$16⁹⁹
51183	76-78	76L-77 57-1/4" - 78 w/ AT	\$21⁹⁹
51185	78-79	78 w/ MT - 79 L82	\$19⁹⁹
51184	78-79	78 w/ AC, w/ MT (vin H) - 79 w/ AC L82	\$16⁹⁹
51187	79-82	78-80 350 exc. L82 - 81-82 All	\$19⁹⁹
51186	80	80 L82	\$19⁹⁹

REPLACEMENT POWER STEERING BELT - BIG BLOCK

51178	68-73	68 BB w/o AC - 73 BB All	\$15⁹⁹
51177	68-74	68-69 BB w/ AC - 71-74 BB w/o AC	\$15⁹⁹
51170	71-72	71-72 BB w/ AC	\$15⁹⁹
36289	74	454 w/ PS w/ AC	\$15⁹⁹

REPLACEMENT POWER STEERING BELT - SMALL BLOCK

51171	68	68 SB 350hp w/o AC	\$15⁹⁹
22675	68-72	68-70 300 hp w/ AC, 71-72 350 w/ AC	\$15⁹⁹
51170	68-82	68-70 SB - 71-72 SB - 75-82 All	\$15⁹⁹
51177	69-74	69-74 SB w/o AC	\$15⁹⁹

**Price Match
Guarantee**

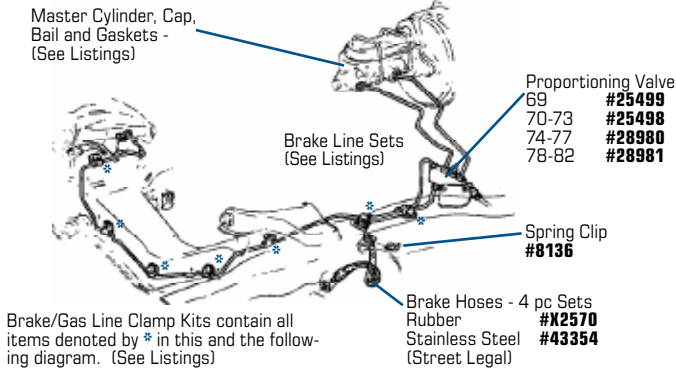
**Corvette America's
PRICE MATCH
GUARANTEE**

*We will match any
competitor's price!*

*Show us any advertised product
in a current catalog, website or magazine and we will match
that price. The advertised product must be identical and
from the same source or vendor.*

**For more details about our Price Match Guarantee,
call a Sales Representative at 800-458-3475.**

1968-1982 MASTER CYLINDER & FRONT BRAKE LINES



- 51059 68-76 Power Brake Booster - Black - Rebuilt\$139⁹⁹
- 33483 77-82 Power Brake Booster - Gold\$169⁹⁹
- 40829 77-82 Power Brake Booster - Rebuilt.....\$190⁹⁹
- 32957 68-82 PB Booster Check Valve.....\$17⁹⁹
- 32958 68-82 PB Booster Check Valve Grommet\$7⁹⁹
- 33484 68-82 PB Booster to Firewall Gasket\$8⁹⁹
- 36996 68-78 PB Booster Felt Filter\$4⁹⁹
- 33488 78-82 PB Booster Vacuum Hose Filter.....\$19⁹⁹
- 33485 70 PB Booster Vacuum Metal Tube w/ Q-Jet.....\$23⁹⁹
- 33486 71-73 PB Booster Vacuum Metal Tube w/ Q-Jet.....\$23⁹⁹
- 33487 70-72 PB Booster Vacuum Metal Tube w/ LTI.....\$20⁹⁹
- 32961 68-77 PB Vacuum Hose & Clamp set - exc 427 3x2.....\$5⁹⁹



- 49617 68-72 Master Cylinder - Power Brakes - Correct\$139⁹⁹
- 49616 68-76 Master Cylinder - Manual - Correct.....\$139⁹⁹
- 1544 68-76 Master Cylinder - Manual\$69⁹⁹
- 1545 68-76 Master Cylinder - Heavy Duty & Power\$74⁹⁹
- 41383 68-76 Master Cylinder - HD & Power - Chrome.....\$189⁹⁹
- 51061 68-76 Master Cylinder w/ Power Brake Booster - Rebuilt.....\$209⁹⁹
- 49618 74-76 Master Cylinder - Power - Correct\$139⁹⁹
- 37741 73-74 Master Cylinder - Non Power - Correct - 74E.....\$139⁹⁹
- 37740 74-76 Master Cylinder - Non Power - Correct - 74L.....\$139⁹⁹
- 47405 76 Master Cylinder w/ Power Brake Booster - Requires Core Charge of \$25.....\$219⁹⁹
- 49619 77-82 Master Cylinder - Power - Correct\$139⁹⁹
- 1546 77-82 Master Cylinder\$74⁹⁹
- 43414 77-82 Master Cylinder - HD & Power - Remanufactured . \$64⁹⁹
- 41384 77-82 Master Cylinder - Chrome.....\$189⁹⁹
- 36322 68-82 Master Cylinder Cap - 68-74 Replacement\$10⁹⁹
- 49621 68-74 Master Cylinder Cap.....\$25⁹⁹
- 44906 68-82 Master Cylinder Cap - Chrome - w/ Bails & Gasket. \$29⁹⁹
- 51104 68-82 Master Cylinder Cap - Chrome - w/ Bails\$14⁹⁹
- 32954 68-82 Master Cylinder Cap w/ Bails Vented w/ Gasket.... \$29⁹⁹
- 40827 67-76 Master Cylinder Cap - Polished SS w/ Bails & Gasket.....\$71⁹⁹
- 32955 68-82 Master Cylinder Cap Bail\$1⁹⁹
- 28709 68-82 Master Cylinder Cap Gasket.....\$6⁹⁹
- 28979 68-76 Master Cylinder to Firewall Gasket - Non-Power\$3⁹⁹
- 36321 68-82 Master Cyl. Mount Nuts & Washers - 4 pc set\$1⁹⁹
- 37739 68-75 Master Cylinder Push Rod - Non-Power\$11⁹⁹
- 34857 68-82 Master Cylinder Push Rod Lock Nut.....\$0⁹⁹
- 27289 68-77 Master Cylinder Push Rod Boot - Non-Power\$6⁹⁹

1968-1982 MASTER CYLINDER REPAIR KITS

Master Cylinder Repair Kits include Main Piston, Seals, Springs and Gaskets.

- 29781 68-76 Master Cylinder Repair Kit - Non-Power\$29⁹⁹
- 29782 68-76 Master Cylinder Repair Kit - Power\$32⁹⁹
- 28978 77-82 Master Cylinder Repair Kit.....\$34⁹⁹
- 50999 77-82 Master Cylinder Repair Kit - w/ Secondary Piston . \$22⁹⁹



- 42048 68 Brake Proportioning Valve w/ Bracket.....\$94⁹⁹
- 25499 69 Brake Proportioning Valve\$99⁹⁹
- 25498 70-73 Brake Proportioning Valve\$99⁹⁹
- 28980 74-77 Brake Proportioning Valve\$109⁹⁹
- 28981 78-82 Brake Proportioning Valve\$109⁹⁹
- 32956 68 Brake Proportioning Valve Bracket\$27⁹⁹
- 34890 68 Brake Proportioning Valve Bracket - J56.....\$55⁹⁹
- 34891 68 Brake Proportioning Valve-to-Bracket Screw.....\$3⁹⁹

(ALSO SEE "PEDALS & PADS" SECTION FOR BRAKE PEDAL & COMPONENTS.)

SPEED BLEEDERS

Speed Bleeders make bleeding your brakes a one-person job. It's EASY with Speed Bleeders. These zinc-coated, stainless-steel Bleeders replace your originals and use a check ball and patented thread sealing system to prevent air from being pulled back into your brake lines. Dust Caps are included.



40834 68-82 Speed Bleeders - pr **\$16⁹⁹**

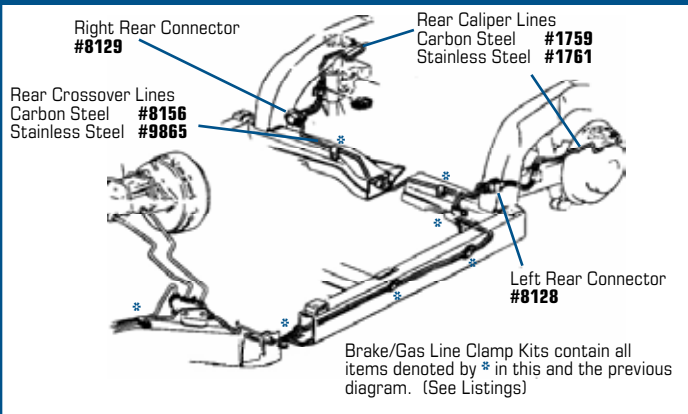
51047 68-82 Master Cylinder Bleeder Tool..... **\$36⁹⁹**



30034 68-79 Brake Light Switch - w/o Cruise **\$10⁹⁹**
30035 77-82 Brake Light Switch - w/ Cruise..... **\$13⁹⁹**
K1354 68-82 Brake Light Switch Mount Nuts - pr **\$2⁹⁹**
40832 69-75 Brake Light Switch Striker - w/ PB **\$14⁹⁹**

(ALSO SEE "SWITCHES" SECTION.)

1968-1982 BRAKE LINES - REAR

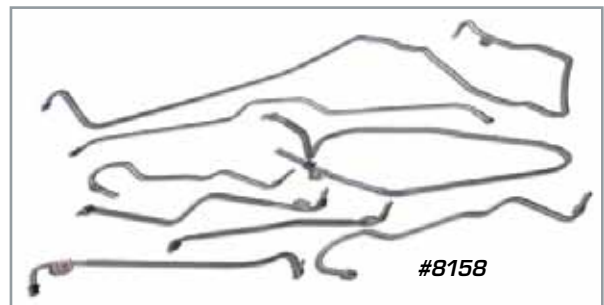


1968-1982 BRAKE LINES & COMPONENTS

42057	68	Brake Lines - Master Cylinder to Prop Valve - pr ..	\$23⁹⁹
42058	68	Brake Line - LF Block to Flex Hose	\$9⁹⁹
42069	68-82	Brake Line - Rear Caliper Line - LH	\$11⁹⁹
42070	68-82	Brake Line - Rear Caliper Line - RH	\$11⁹⁹
42678	68	Brake Line - Prop Valve to LF Block w/o PB	\$18⁹⁹
42679	68	Brake Line - Front to Rear w/o PB	\$30⁹⁹
42680	68	Brake Line - Prop Valve to LF Block w/ PB	\$18⁹⁹
42681	68	Brake Line - Front to Rear w/ PB	\$30⁹⁹
42682	69	Brake Line - LF Block to Flex Hose	\$10⁹⁹
42683	69	Brake Line - M Cyl to Prop Valve Front w/o PB	\$17⁹⁹
42684	69	Brake Line - M Cyl to Prop Valve Rear w/o PB	\$16⁹⁹
42685	69	Brake Line - Front Crossover	\$23⁹⁹
42686	69	Brake Line - Front to Rear	\$30⁹⁹
42687	69	Brake Line - M Cyl to Prop Valve Front w/ PB	\$17⁹⁹
42688	69	Brake Line - M Cyl to Prop Valve Rear w/ PB	\$17⁹⁹
42689	70-73	Brake Line - LF Block to Flex Hose	\$10⁹⁹
42690	70-73	Brake Line - M Cyl to Prop Valve Front w/o PB	\$17⁹⁹
42691	70-73	Brake Line - M Cyl to Prop Valve Rear w/o PB	\$17⁹⁹
42692	70-73	Brake Line - Front Crossover	\$31⁹⁹
42693	70-73	Brake Line - Front to Rear	\$30⁹⁹



42694	70-73	Brake Line - M Cyl to Prop Valve Front w/ PB	\$17⁹⁹
42695	70-73	Brake Line - M Cyl to Prop Valve Rear w/ PB	\$17⁹⁹
42696	74-82	Brake Line - M Cyl to Prop Valve Front w/o PB	\$18⁹⁹
42697	74-82	Brake Line - M Cyl to Prop Valve Rear w/o PB	\$18⁹⁹
42698	74-82	Brake Line - LF Block to Flex Hose	\$17⁹⁹
42699	74-82	Brake Line - Front Crossover	\$33⁹⁹
42700	74	Brake Line - Front to Rear	\$30⁹⁹
42701	74-82	Brake Line - M Cyl to Prop Valve Front w/ PB	\$18⁹⁹
42702	74-82	Brake Line - M Cyl to Prop Valve Rear w/ PB	\$18⁹⁹
42703	75-82	Brake Line - Front to Rear	\$33⁹⁹
29783	68	Brake Line - Front Crossover - Carbon Steel	\$18⁹⁹
8156	68-82	Brake Line - Rear Crossover - Carbon Steel	\$14⁹⁹
9865	68-82	Brake Line - Rear Crossover - Stainless Steel	\$21⁹⁹
1759	68-82	Brake Lines - Rear Calipers - Carbon Steel - pr	\$14⁹⁹
1761	68-82	Brake Lines - Rear Calipers - Stainless Steel - pr	\$20⁹⁹
8125	68	Brake Line Block - LF	\$25⁹⁹
8128	68-82	Brake Line Block - LR	\$20⁹⁹
8129	68-82	Brake Line Block - RR	\$13⁹⁹
34895	68-82	Rear Brake Line Block Brackets - Weld to Frame - pr	\$15⁹⁹



BRAKE LINE SETS

Our Brake Line Sets contain all rigid lines and fittings. Connector blocks & flex lines sold separately.

STEEL BRAKE LINE SETS

8226	68	w/o Power Brakes	\$114⁹⁹
8150	69	w/o Power Brakes	\$114⁹⁹
8152	70-73	w/o Power Brakes	\$119⁹⁹
8154	74	w/o Power Brakes	\$119⁹⁹
8157	75	w/o Power Brakes	\$119⁹⁹
32619	68	w/ Power Brakes	\$114⁹⁹
8151	69	w/ Power Brakes	\$114⁹⁹
8153	70-73	w/ Power Brakes	\$119⁹⁹
8155	74	w/ Power Brakes	\$119⁹⁹
8158	75-82	w/ Power Brakes	\$119⁹⁹

STAINLESS STEEL BRAKE LINE SETS

32617	68	w/o Power Brakes	\$159⁹⁹
9878	69	w/o Power Brakes	\$159⁹⁹
9880	70-73	w/o Power Brakes	\$169⁹⁹
9882	74	w/o Power Brakes	\$169⁹⁹
9884	75	w/o Power Brakes	\$194⁹⁹
32618	68	w/ Power Brakes	\$159⁹⁹
9879	69	w/ Power Brakes	\$159⁹⁹
9881	70-73	w/ Power Brakes	\$169⁹⁹
9883	74	w/ Power Brakes	\$169⁹⁹
9885	75-82	w/ Power Brakes	\$169⁹⁹



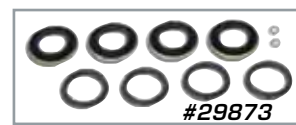
#44967



#8136



#1637



#29873



#29874



#46308

BRAKE & GAS LINE CLIP SETS

8200	68	BB 20 pc set.....	\$20⁹⁹
8201	68	SB 20 pc set.....	\$20⁹⁹
8136	68-82	Spring Clip - Brake Hose to Connector Block.....	\$0⁹⁹
44964	68	Brake Line Clips - 20 pc set.....	\$16⁹⁹
44965	69	Brake Line Clips - 20 pc set.....	\$16⁹⁹
8202	69-70	BB 22 pc set.....	\$22⁹⁹
8203	69-70	SB 18 pc set.....	\$22⁹⁹
44966	70	Brake Line Clips - 26 pc set.....	\$18⁹⁹
8204	70-72	28 pc set.....	\$17⁹⁹
8205	70-73	28 pc set.....	\$17⁹⁹
44967	71-73	Brake Line Clips - 34 pc set.....	\$30⁹⁹
8147	74-82	28 pc set.....	\$27⁹⁹
44968	74-82	Brake Line Clips - 34 pc set.....	\$59⁹⁹

1637	68-82	Caliper Piston Retaining Tool.....	\$5⁹⁹
29873	68-82	Caliper Seal Kit - Front - OEM Seal.....	\$16⁹⁹
29874	68-82	Caliper Seal Kit - Rear - OEM Seal.....	\$15⁹⁹
46305	68-82	Caliper Seal Kit - Front - O-Ring Caliper.....	\$26⁹⁹
46304	68-82	Caliper Seal Kit - Rear - O-Ring Caliper.....	\$26⁹⁹
46308	68-82	Caliper Changeover O-Ring Kit - Incl 4 Fr Boots, 4 Fr O-Ring Seals, 2 O-Rings, 4 O-Ring Pistons ...	\$51⁹⁹
46309	68-82	Caliper Changeover O-Ring Kit - Incl 4 Rear Boots, 4 Rear O-Ring Seals, 1 O-Ring, 4 O-Ring Pistons .	\$51⁹⁹



#X2570



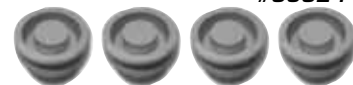
#43354



#41990



#44661



#36324

BRAKE HOSES

27302	68-82	Brake Hose Copper Washers - 4 pc set.....	\$3⁹⁹
51931	68-82	Brake Hose - Front Hex End - USA.....	\$13⁹⁹
51932	68-82	Brake Hose - Rear - USA.....	\$13⁹⁹
51930	68-82	Brake Hoses - Rubber - 4 pc set - USA.....	\$49⁹⁹
42072	68-82	Brake Hose - Front Hex End - Import.....	\$10⁹⁹
42073	68-82	Brake Hose - Rear- Import.....	\$10⁹⁹
X2570	68-82	Brake Hoses - Rubber - 4 pc set - Import.....	\$39⁹⁹
43354	68-82	Brake Hose Kit - Stainless Steel - Street Legal - Includes hoses, clips & hardware.....	\$99⁹⁹
34877	68-82	Brake Hose Brackets on Trailing Arm - pr.....	\$13⁹⁹

41990	68-82	Disc Brake Pads - Service Grade - 4 pc.....	\$24⁹⁹
50869	68-82	Disc Brake Pads - Professional Grade - 4 pc.....	\$47⁹⁹
44661	68-82	Disc Brake Pad Anti-Squeal Kit - 8 pc.....	\$16⁹⁹
36324	68-82	Pistons - Front Caliper - 4 pc set.....	\$39⁹⁹
36326	68-82	Pistons - Rear Caliper - 4 pc set.....	\$39⁹⁹
36325	68-82	Spring - Front Caliper - Piston Return.....	\$2⁹⁹
36327	68-82	Spring - Rear Caliper - Piston Return.....	\$2⁹⁹
1636	68-82	Caliper/Master Cylinder Bleeder System.....	\$9⁹⁹
4117		Brake Fluid - Silicone - Quart.....	\$22⁹⁹
48171		Brake Fluid DOT 3.....	\$6⁹⁹
48172		Brake Fluid DOT 4.....	\$8⁹⁹



#X2586

#X2587



#43293

BRAKE CALIPERS, PADS & RELATED

36323	68-82	Caliper Bleeder Plug - Rear.....	\$3⁹⁹
0956	68-82	Caliper Bleeder Screw, Stainless Steel.....	\$3⁹⁹
X2586	68-82	Brake Caliper Mount Bracket - LH.....	\$21⁹⁹
X2587	68-82	Brake Caliper Mount Bracket - RH.....	\$21⁹⁹
29875	68-82	Caliper Mounting Bolts & Washers - 8 pc.....	\$9⁹⁹
1408	68-82	Caliper Pad Pin.....	\$1⁹⁹

1968-1982 HAWK HIGH PERFORMANCE PADS

Hawk delivers race-proven technology and materials for your street-legal car. The Ferro-Carbon compound in Hawk's High Performance Street Brake Pads improves braking performance over OE or standard replacement brake pads.

43287	68-82	Hawk HP Street Pads - Low Dust - Front or Rear Set.....	\$75⁹⁹
43293	68-82	Hawk HP Plus Pads - High Friction - Front or Rear Set.....	\$84⁹⁹

(ALSO SEE BRAKE CALIPERS AND CALIPER KITS ON NEXT PAGE.)

Corvette America Offers More Choices in 1968-1982 Brake Calipers & Caliper Kits!

MANY OF OUR NEW AND REBUILT CALIPERS ARE AVAILABLE IN COMPLETE SETS!

COMPLETE CALIPER KITS (KITS A & B)

Many of our new and rebuilt calipers on this page are available in complete sets that save you money and make it easier to replace, update or refurbish an entire brake system.

CALIPER KIT A INCLUDES:

- 4 Calipers
- 8 Disc Brake Pads
- 4 Caliper Pad Pins
- 1 Pair of Front Brake Caliper Mount Brackets
- Rubber Brake Hose Set
- 1 Pair of Rear Caliper Brake Lines
- 1 Piston Retaining Tool
- 1 Quart of Brake Fluid

CALIPER KIT B (ALSO INCLUDES PARK BRAKE)

- Includes all of Kit A plus:
- 1 Anti-Corrosive Stainless Steel Park Brake Kit
- 4-piece Park Brake Shoe Set

#45615
1968-1982 New Caliper Kit B



CLASSIC RESTORATION CALIPERS

**REBUILT DELCO® MORAINÉ CASTINGS
w/ TRADITIONAL LIP SEALS**

For those who want 100% original, our Restoration Calipers feature: New Stainless Steel Sleeves; New Pistons, Lip Seals, Springs, Dust Covers, Stainless Steel Bleeder Screws and Plugs; Long-Lasting Epoxy Paint; and they're individually pressure tested.

Covered by a LIFETIME WARRANTY.* Core Charges Apply.+

- 43030** 68-82 Classic Resto. Caliper - Left Front **\$94⁹⁹**
- 43031** 68-82 Classic Resto. Caliper - Right Front **\$94⁹⁹**
- 43032** 68-82 Classic Resto. Caliper - Left Rear **\$94⁹⁹**
- 43033** 68-82 Classic Resto. Caliper - Right Rear **\$94⁹⁹**
- 43034** 68-82 Classic Resto. Caliper Kit A (see Kits) **\$419⁹⁹**
- 43035** 68-82 Classic Resto. Caliper Kit B (see Kits) **\$499⁹⁹**



#43031

MODERN RESTORATION CALIPERS

**REBUILT DELCO® MORAINÉ CASTINGS
w/ O-RING TECHNOLOGY**

Get improved performance that looks just like original when installed. Special O-Rings are used in place of the original lip seals to eliminate leaking and resist piston cavitation during hard driving conditions. Our Modern Restoration Calipers feature: New Stainless Steel Sleeves; New O-Ring Pistons, Seals, Springs, Dust Covers, Stainless Steel Bleeder Screws and Plugs; Long-Lasting Epoxy Paint; and they're individually pressure tested.

Covered by a LIFETIME WARRANTY.* Core Charges Apply.+

- 43000** 68-82 Modern Resto. Caliper - O-Ring - Left Front **\$114⁹⁹**
- 43001** 68-82 Modern Resto. Caliper - O-Ring - Right Front **\$114⁹⁹**
- 43002** 68-82 Modern Resto. Caliper - O-Ring - Left Rear **\$114⁹⁹**
- 43003** 68-82 Modern Resto. Caliper - O-Ring - Right Rear **\$114⁹⁹**
- 43004** 68-82 Modern Resto. Caliper Kit A (see Kits)- O-Ring ... **\$499⁹⁹**
- 43005** 68-82 Modern Resto. Caliper Kit B (see Kits)- O-Ring ... **\$589⁹⁹**

+ Core Charge: \$50 per caliper. Returned calipers must be Original Delco Moraine Castings without broken ears or altered bleeders.



#43001

**NEW Delco Calipers and Kits with
NO CORE CHARGE!**

NEW DELCO CALIPERS WITH LIP SEALS

Get completely new calipers that feature: New Stainless Steel Sleeves, New Pistons, Seals, Springs, Dust Covers, Stainless Steel Bleeder Screws and Plugs. And they're individually pressure tested.

LIFETIME WARRANTY.* No Core Charge!

- 45600** 68-82 New Caliper - Lip Seals - Left Front **\$154⁹⁹**
- 45601** 68-82 New Caliper - Lip Seals - Right Front **\$154⁹⁹**
- 45602** 68-82 New Caliper - Lip Seals - Left Rear **\$154⁹⁹**
- 45603** 68-82 New Caliper - Lip Seals - Right Rear **\$154⁹⁹**
- 45604** 68-82 New Caliper Kit A (see Kits) - Lip Seals **\$729⁹⁹**
- 45605** 68-82 New Caliper Kit B (see Kits) - Lip Seals **\$799⁹⁹**

NEW DELCO CALIPERS WITH O-RINGS

Brand new brakes with modern performance feature: New Stainless Steel Sleeves, New O-Ring Pistons, Seals, Springs, Dust Covers, Stainless Steel Bleeder Screws and Plugs. And they're individually pressure tested.

LIFETIME WARRANTY.* No Core Charge!

- 45610** 68-82 New Caliper - O-Ring - Left Front **\$184⁹⁹**
- 45611** 68-82 New Caliper - O-Ring - Right Front **\$184⁹⁹**
- 45612** 68-82 New Caliper - O-Ring - Left Rear **\$184⁹⁹**
- 45613** 68-82 New Caliper - O-Ring - Right Rear **\$184⁹⁹**
- 45614** 68-82 New Caliper Kit A (see Kits) - O-Ring **\$829⁹⁹**
- 45615** 68-82 New Caliper Kit B (see Kits) - O-Ring **\$899⁹⁹**

* Lifetime Warranty: Covers all parts and workmanship for the original purchaser so long as the caliper is properly maintained (correctly replacing brake fluid upon initial installation and each subsequent brake fluid change, which should be done once every two years). New Rubber Hoses should be installed during the initial installation of the calipers and be replaced every 5 years, as internal hose deterioration can contaminate the brake fluid.

DISC BRAKE UPGRADE KITS

Give your Corvette the advantage of high-performance "FORCE 10" Aluminum Calipers from Stainless Steel Brakes Corporation. Kits include:

- 4-Piston, Clear Anodized Aluminum Calipers
- High-Performance Brake Pads
- Stainless Steel Pistons - 43mm (Front) or 35mm (Rear)
- Installation Instructions
- Stainless Steel Flex Hoses
- All Bolts and Hardware

41754 68-82 Disc Brake Upgrade Kit - Front **\$711⁹⁹**

41755 68-82 Disc Brake Upgrade Kit - Rear **\$711⁹⁹**



#2017



#35271

BRAKE ROTORS

2017 68-82 Front w/o Hub - Reproduction **\$59⁹⁹**

52062 68-82 Front - Delco Durastop **\$64⁹⁹**

2014 68-82 Rear - Reproduction **\$59⁹⁹**

52063 68-82 Rear - Delco Durastop **\$74⁹⁹**

35271 68-82 Rivets - Front Rotor to Hub - 10 pc set **\$8⁹⁹**

35287 68-82 Rivets - Rear Rotor to Spindle - 10 pc set **\$7⁹⁹**



#43299

- Vac-U-Slot Design
- Quality Casting
- Replacement for OEM Rotors

POWER SLOT ROTORS

Power Slot Rotors utilize the revolutionary Vac-U-Slot system to effectively evacuate the hot gases that build up between your rotors and pads, while maintaining 96% of the active braking area. And, since they're not drilled, they stand up to stress and maintain their integrity much longer than most cross-drilled rotors.

43299 68-82 Rotor Kit - 4 rotors **\$539⁹⁹**

43269 68-82 Front Brake Rotor - LH **\$137⁹⁹**

43270 68-82 Front Brake Rotor - RH **\$137⁹⁹**

43271 68-82 Rear Brake Rotor - LH **\$135⁹⁹**

43272 68-82 Rear Brake Rotor - RH **\$135⁹⁹**

BRAKE ROTOR & PAD KITS

Brake Pad and Rotor Kits include Reproduction Rotors, Brake Pads, Brake Pad Pins and Anti-Squeal Kit. Available for Front, Rear or a Full Set for all four corners.

49938 68-82 Brake Rotor & Pad Kit - Front & Rear **\$249⁹⁹**

49937 68-82 Brake Rotor & Pad Kit - Rear **\$154⁹⁹**

49936 68-82 Brake Rotor & Pad Kit - Front **\$154⁹⁹**

CALIPER, DRUM AND ROTOR PAINT



Apply Brake Caliper, Drum and Rotor Paint to protect your brake components from the harmful effects of the elements. This durable, weather-resistant, high-heat coating helps prevent chipping, cracking and corrosion. Available in five colors! Must ship ground.

46486 Brake Paint - Bright Yellow **\$14⁹⁹**

46480 Brake Paint - Clear Gloss **\$17⁹⁹**

46484 Brake Paint - Gloss Black **\$14⁹⁹**

46481 Brake Paint - Real Red **\$14⁹⁹**

46487 Brake Paint - Satin Black **\$14⁹⁹**

EPOXY CALIPER & ROTOR PAINT KIT



Apply a hard, long-lasting and protective coat of paint to your brake calipers and rotors without removing them. Kit includes cleaner, paint, stir stick, brush and instructions. Available in four colors. Must ship ground.

43016 Epoxy Paint Kit - Black **\$39⁹⁹**

43014 Epoxy Paint Kit - Red **\$39⁹⁹**

43017 Epoxy Paint Kit - Silver **\$39⁹⁹**

43015 Epoxy Paint Kit - Yellow **\$39⁹⁹**

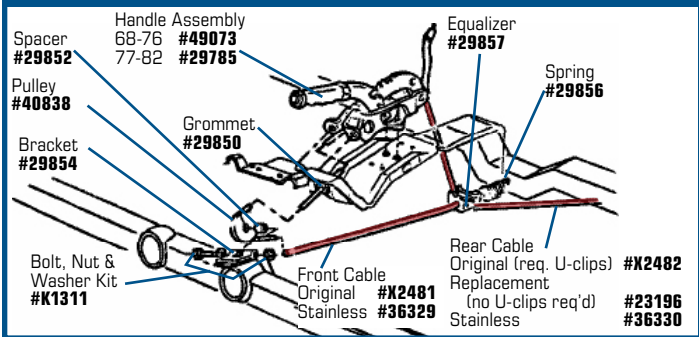


Visit us online at:

www.CorvetteAmerica.com

You'll find over 25,000 products with photos, diagrams and product information to complement our print catalogs. Search by part number, description, category and filter your search with a specific model year.

1968-1982 PARK BRAKE



PARK BRAKE & RELATED

X2481	68-82 Park Brake Cable - Front.....	\$19⁹⁹
36329	68-82 Park Brake Cable - Front - Stainless Steel	\$44⁹⁹
X2482	68-82 Park Brake Cable - Rear - OEM (req. U-Clips).....	\$39⁹⁹
23196	68-82 Park Brake Cable - Rear - Replacement (no U-Clips req'd).....	\$49⁹⁹
36330	68-82 Park Brake Cable - Rear - Stainless Steel	\$79⁹⁹
44954	68-82 Park Brake Cable Kit - Front - Includes Front Cable, Cable Pulley Bolt Set, Cable Pulley Spacer.....	\$25⁹⁹
51024	68-82 Park Brake Cable Kit - Front - Stainless Steel Incl SS Front Cable, Return Spring, Cable Pulley Bolt Set & Cable Pulley Spacer	\$49⁹⁹
44955	68-82 Park Brake Cable Kit - Rear - Includes Rear Cable, Rear Cable Retainer Clip, Nylon Guides	\$39⁹⁹
44956	68-82 Park Brake Cable Kit - Front & Rear - Includes Front Cable, Rear Cable, Cable Pulley Spacer, Cable Pulley Bolt Set, Cable Equalizer, Cable Equalizer Nuts, 4 Cable Retainer Clips.....	\$59⁹⁹
44957	68-82 Park Brake Master Kit - Includes Front Cable, Rear Cable, Stainless Steel Park Brake Kit, Park Brake Shoes (4 pc), Cable Return Spring, Cable Pulley Spacer, Cable Pulley Bolt Set, Cable Equalizer, Equalizer Nuts, 4 Cable Retainer Clips, 2 Nylon Guides, Installation Tool.....	\$149⁹⁹
34871	68-72 Park Brake Cable Brackets (weld to frame) - pr....	\$17⁹⁹
29857	68-82 Park Brake Cable Equalizer.....	\$4⁹⁹
K1414	68-82 Park Brake Cable to Equalizer Nuts - pr.....	\$0⁹⁹
29850	68-75 Park Brake Cable Grommet.....	\$6⁹⁹
29851	76-82 Park Brake Cable Grommet.....	\$6⁹⁹
40838	68-82 Park Brake Cable Pulley	\$6⁹⁹
51023	68-82 Park Brake Cable Pulley Kit - incl Pulley, Spacer, Bolt, Nut and Washer	\$11⁹⁹



K1311	68-82 Park Brake Cable Pulley Bolt/Nut/Washer Kit	\$1⁹⁹
29853	68-79 Park Brake Cable Pulley Bracket (weld to frame)...	\$39⁹⁹
29852	68-82 Park Brake Cable Pulley Spacer	\$3⁹⁹
34876	68-82 Park Brake Cable Retaining Pin.....	\$1⁹⁹
29856	68-82 Park Brake Cable Return Spring.....	\$7⁹⁹
2009	68-76 Park Brake Console Seal	\$4⁹⁹
49073	68-76 Park Brake Handle Assembly - Reproduction	\$149⁹⁹
29785	77-82 Park Brake Handle Assembly - 68-75 Replacement	\$115⁹⁹
34875	68-82 Park Brake Handle Mounting Bolts - pr.....	\$3⁹⁹
40836	68-82 Park Brake Handle Stop Pin.....	\$9⁹⁹
33494	68-82 Rear Cable to Frame Mount Bracket	\$7⁹⁹
29865	68-82 Park Brake Cable Nylon Guide (2 per set)	\$3⁹⁹
29864	68-82 Rear Cable Retainer Clip - "Mickey Mouse Clip" - 2 req'd	\$1⁹⁹
29863	68-82 Rear Cable "U" Clip.....	\$2⁹⁹



1968-1982 REAR PARK BRAKE CABLE

Our rear Park Brake Cable for your 1968-1982 Corvette is better than the original. It's made of Stainless Steel to combat corrosion and help prevent lockup. It installs quickly and easily, requiring no clips.

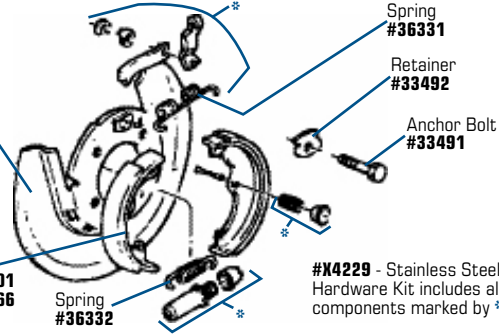
36330	68-82 Park Brake Cable-Rear (Replacement)	\$79⁹⁹
--------------	---	--------------------------



Watch Corvette America's Manufacturing videos!
www.YouTube.com/CorvetteAmericaVideo

1968-1982 PARK BRAKE

Backing Plate
68-75 LH #22370
68-75 RH #22371
76-82 LH #22372
76-82 RH #22373
See Suspension



Park Brake Shoes
Stainless Steel #1701
Steel #1766

Spring #36332

Spring #36331

Retainer #33492

Anchor Bolt #33491

#X4229 - Stainless Steel Hardware Kit includes all components marked by *.



X4229 68-82 Park Brake Kit - Stainless Steel \$39⁹⁹



#36333

#1671

1671 68-82 Park Brake Kit Installation Tool \$11⁹⁹
36333 68-82 Park Brake Rebuild Kit - S.S. - includes Cables, Equalizer, Return Spring, Shoes & Hardware \$239⁹⁹



#1701

1766 68-82 Park Brake Shoes - Reproduction - 4 pc set \$39⁹⁹
1701 68-82 Park Brake Shoes - Stainless Steel - 4 pc set \$59⁹⁹
52064 68-82 Park Brake Shoes - Delco - 4 pc set \$99⁹⁹



#36332

#36331

#33492

34561 68-82 Park Brake Shoe Anchor Pin \$4⁹⁹
33491 68-82 Park Brake Shoe Anchor Bolt \$3⁹⁹
33492 68-82 Park Brake Shoe Retainer \$2⁹⁹
36332 68-82 Park Brake Shoe Spring - Lower - S.S. \$1⁹⁹
36331 68-82 Park Brake Shoe Spring - Upper - S.S. \$3⁹⁹

BUMPERS

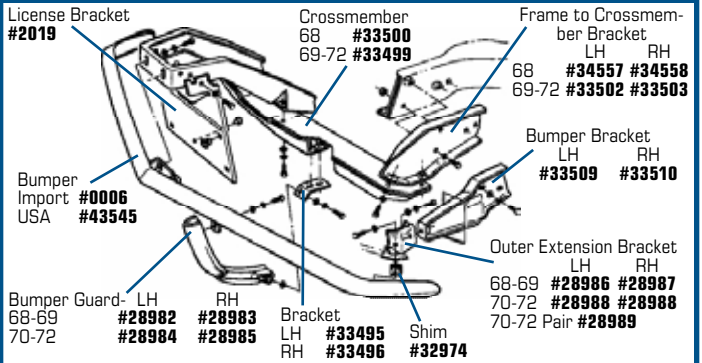


#43545

Made in the U.S.A.

0006 68-72 Bumper - Front - Import \$319⁹⁹
43545 68-72 Bumper - Front - Made in USA \$399⁹⁹

1968-1972 FRONT BUMPER



License Bracket #2019

Crossmember
68 #33500
69-72 #33499

Frame to Crossmember Bracket
LH RH
68 #34557 #34558
69-72 #33502 #33503

Bumper Import USA #0006 #43545

Bumper Bracket
LH RH
#33509 #33510

Bumper Guard- LH RH
68-69 #28982 #28983
70-72 #28984 #28985

Bracket
LH RH
#33495 #33496

Outer Extension Bracket
LH RH
68-69 #28986 #28987
70-72 #28988 #28989
70-72 Pair #28989

Also See Air Dams in Cooling Section.



#28982

#28983

#32974

#33499

K1239 68-72 Bumper Bolt Kit - Front - Replacement \$15⁹⁹
33497 68-72 Bumper Bolt Kit w/ Correct "A" Headmark - No Bracket Bolts \$19⁹⁹
33506 68-72 Bumper Brace Seals - pr \$9⁹⁹
0654 68-72 Bumper Brace Seal Staple Set - 25 pc set \$1⁹⁹
33509 68-72 Bumper Bracket - LH - Outer \$89⁹⁹
33510 68-72 Bumper Bracket - RH - Outer \$89⁹⁹
40839 68-73 Bumper Bracket to Frame Washer \$4⁹⁹
28982 68-69 Bumper Guard - LH \$160⁹⁹
28983 68-69 Bumper Guard - RH \$160⁹⁹
28984 70-72 Bumper Guard - LH \$160⁹⁹
28985 70-72 Bumper Guard - RH \$160⁹⁹
28991 70-72 Bumper Guards - pr \$249⁹⁹
33495 68-72 Bumper Guard to Crossmember Extension Bracket - LH \$25⁹⁹
33496 68-72 Bumper Guard to Crossmember Extension Bracket - RH \$25⁹⁹
32974 68-72 Bumper Shim \$0⁹⁹
33500 68 Crossmember \$224⁹⁹
33499 69-72 Crossmember \$199⁹⁹
33504 68-72 Crossmember Bolt Kit w/ "A" Headmark - w/o HD Rad or Auto \$19⁹⁹
33505 68-72 Crossmember Bolt Kit w/ "A" Headmark - w/ HD Rad or Auto \$24⁹⁹
34557 68 Frame to Crossmember Extension Bracket - LH .. \$164⁹⁹
33502 69-72 Frame to Crossmember Extension Bracket - LH .. \$159⁹⁹
34558 68 Frame to Crossmember Extension Bracket - RH .. \$164⁹⁹
33503 69-72 Frame to Crossmember Extension Bracket - RH .. \$159⁹⁹

BUMPERS (continued)



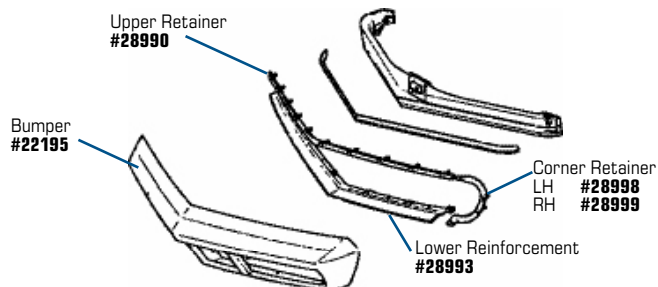
#2019



#K1038

2019	68-72 License Bracket - Front.....	\$24⁹⁹
K1159	68-72 License Plate Mount Kit - w/ Rubber Bumper.....	\$3⁹⁹
K1038	68-79 License Plate Rubber Bumper - 2 req'd.....	\$2⁹⁹
33501	68-72 Lower Valance Panel Seal.....	\$18⁹⁹
28986	68-69 Outer Extension Bracket - LH.....	\$16⁹⁹
28987	68-69 Outer Extension Bracket - RH.....	\$16⁹⁹
28988	70-72 Outer Extension Bracket.....	\$13⁹⁹
28989	68-72 Outer Extension to Nose Reinforcements - pr.....	\$24⁹⁹
33498	68-72 Outer Bracket & Lower Guard Bracket Bolt Kit w/ "A" Headmark.....	\$18⁹⁹

1973-1974 FRONT BUMPER



Also See Air Dams in Cooling Section.



#28998

#28999



#50153



#K1153

22195	73-74 Bumper - Urethane.....	\$964⁹⁹
51673	73-74 Bumper - Urethane - Reproduction.....	\$499⁹⁹
1495	73-79 Bumper Brace Seals - pr.....	\$9⁹⁹
40842	73-74 Bumper Bracket - Outer Extension.....	\$7⁹⁹
28993	73-74 Bumper Cover Reinforcement - Lower.....	\$57⁹⁹
52102	73-74 Bumper Cover Retainer Set - 3 pc.....	\$84⁹⁹
28998	73-79 Bumper Cover Retainer - Corner - LH.....	\$24⁹⁹
28999	73-79 Bumper Cover Retainer - Corner - RH.....	\$24⁹⁹
28990	73-74 Bumper Cover Retainer - Upper.....	\$39⁹⁹
52060	73-74 Bumper Filler - Upper Support.....	\$59⁹⁹
40427	73-74 Front Upper Surround Panel Support.....	\$34⁹⁹
36335	73-74 Bumper-to-Fender Reinforcement - LH Lower.....	\$28⁹⁹
36336	73-74 Bumper-to-Fender Reinforcement - RH Lower.....	\$28⁹⁹
40840	73-79 Bumper-to-Fender Reinforcement - LH Upper.....	\$12⁹⁹
40841	73-79 Bumper-to-Fender Reinforcement - RH Upper.....	\$12⁹⁹
52061	73-74 Bumper Guard Reinforcements.....	\$59⁹⁹
50153	73-74 License Plate Bracket - Front.....	\$18⁹⁹
K1153	73-79 License Plate Mount Kit - Front.....	\$2⁹⁹



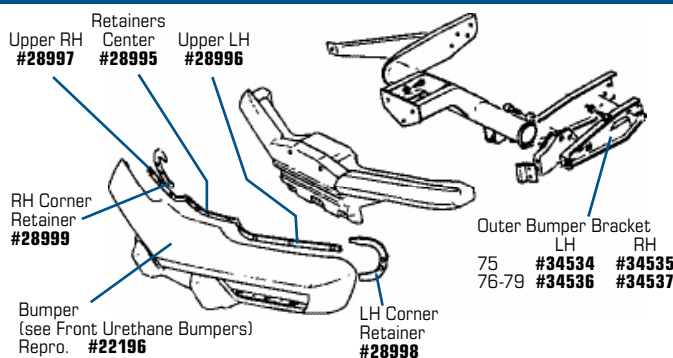
#X2436
[18 piece kit]

BUMPER RETAINER KIT

Replace your old, rusted bumper retainers with these brand new stainless steel reproductions. This 18-piece kit includes all the retainers and hardware required.

X2436	74-82 Bumper Retainer Kit - SS - Replacement - 18 pc.....	\$32⁹⁹
--------------	---	--------------------------

1975-1979 FRONT BUMPER



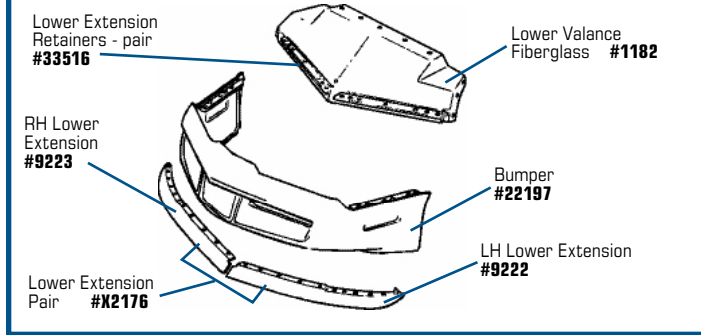
Also See Air Dams in Cooling Section.



22196	75-79 Bumper - Urethane - Reproduction.....	\$224⁹⁹
1495	73-79 Bumper Brace Seals - pr.....	\$9⁹⁹
34534	75 Bumper Bracket - LH Outer.....	\$79⁹⁹
34536	76-79 Bumper Bracket - LH Outer.....	\$87⁹⁹
34535	75 Bumper Bracket - RH Outer.....	\$79⁹⁹
34537	76-79 Bumper Bracket - RH Outer.....	\$91⁹⁹
52103	75-79 Bumper Cover Retainer Set - 5 pc.....	\$119⁹⁹
28998	75-79 Bumper Cover Retainer - Corner - LH.....	\$24⁹⁹
28999	75-79 Bumper Cover Retainer - Corner - RH.....	\$24⁹⁹
28995	75-79 Bumper Cover Retainer - Upper Center.....	\$24⁹⁹
28996	75-79 Bumper Cover Retainer - Upper Outer - LH.....	\$24⁹⁹
28997	75-79 Bumper Cover Retainer - Upper Outer - RH.....	\$24⁹⁹
X2436	75-79 Bumper Retainers - S.S. - Replacement - 18 pc.....	\$32⁹⁹
29005	75-79 Bumper Cover Reinforcement - Lower.....	\$48⁹⁹
1499	75-82 Bumper Cover to Hood Surround Reinforcement.....	\$99⁹⁹
36337	75-79 Bumper-to-Fender Reinforcement - LH Lower.....	\$28⁹⁹
36338	75-79 Bumper-to-Fender Reinforcement - RH Lower.....	\$28⁹⁹
40840	73-79 Bumper-to-Fender Reinforcement - LH Upper.....	\$12⁹⁹
40841	73-79 Bumper-to-Fender Reinforcement - RH Upper.....	\$12⁹⁹
K1153	73-79 License Plate Mount Kit - Front.....	\$2⁹⁹

Additional packaging and shipping charges may apply.

1980-1982 FRONT BUMPER



🚗	22197	80-82 Front Bumper - Urethane	\$509⁹⁹
	33513	80-82 Bumper Brace - LH Outer	\$119⁹⁹
	33514	80-82 Bumper Brace - RH Outer	\$119⁹⁹
	52104	80-82 Bumper Cover Retainer Set - 5 pc	\$119⁹⁹
	37757	80-82 Bumper Cover Retainer - Side - LH	\$24⁹⁹
	37758	80-82 Bumper Cover Retainer - Side - RH	\$24⁹⁹
	37754	80-82 Bumper Cover Retainer - Upper Center	\$24⁹⁹
	37755	80-82 Bumper Cover Retainer - Upper LH	\$24⁹⁹
	37756	80-82 Bumper Cover Retainer - Upper RH	\$24⁹⁹
	X2436	80-82 Bumper Retainers - SS - Replacement - 18 pc	\$32⁹⁹
	37746	80-82 Front Bumper Energy Impact Bar - Fiberglass	\$399⁹⁹
	1182	80-82 Lower Valance Panel - Fiberglass	\$124⁹⁹
	9222	80-82 Lower Valance Panel Extension - LH	\$49⁹⁹
	9223	80-82 Lower Valance Panel Extension - RH	\$49⁹⁹
	X2176	80-82 Lower Valance Panel Extensions - pr	\$84⁹⁹
	33516	80-82 Lower Valance Panel Extension Retainer - pr	\$34⁹⁹
	36380	80-82 Front Air Dam Mount Kit	\$13⁹⁹

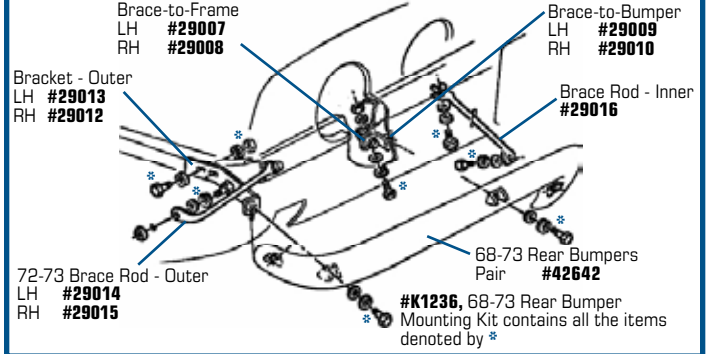
🚗 - Additional packaging and shipping charges may apply.



1968-1973 REAR BUMPERS

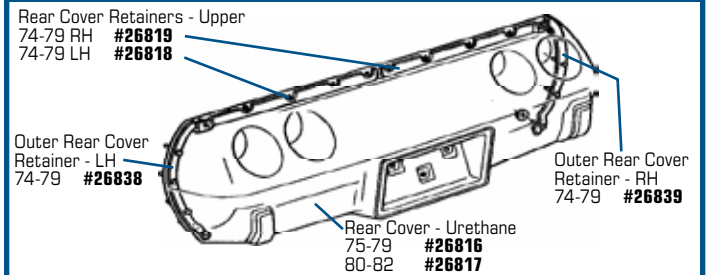
42642	68-73 Bumpers - Rear - LH & RH - Import	\$429⁹⁹
42775	68-73 Bumper - Rear - LH - Import	\$279⁹⁹
42776	68-73 Bumper - Rear - RH - Import	\$279⁹⁹
43546	68-73 Bumper - Rear - LH - Made in U.S.A.	\$403⁹⁹
43547	68-73 Bumper - Rear - RH - Made in U.S.A.	\$403⁹⁹
K1236	68-73 Bumper Bolt Kit - Rear	\$15⁹⁹

1968-1973 REAR BUMPER



29009	68-72 Brace to Bumper - LH Center	\$19⁹⁹
29010	68-72 Brace to Bumper - RH Center	\$19⁹⁹
29007	68-73 Brace to Frame - LH Center	\$19⁹⁹
29008	68-73 Brace to Frame - RH Center	\$19⁹⁹
29016	68-73 Brace Rod - Inner	\$18⁹⁹
29014	72-73 Brace Rod - LH Outer	\$42⁹⁹
29015	72-73 Brace Rod - RH Outer	\$42⁹⁹
29013	68-73 Bracket - LH Outer	\$30⁹⁹
29012	68-73 Bracket - RH Outer	\$30⁹⁹
50150	68-73 Bracket Bolt Kit - Rear - w/ "A" Headmark	\$20⁹⁹
33511	68-73 Bracket - Rear Frame to License Plate	\$14⁹⁹
42936	68-73 Rear License Bezel - Reproduction	\$89⁹⁹
49974	68-73 Rear License Bezel - OEM	\$275⁹⁹
K1241	68-73 License Bezel Mount Screws & Nuts	\$5⁹⁹
K1187	68-73 License Plate Mount Kit	\$2⁹⁹
29877	68-75 License Plate Frame - Stainless Steel	\$19⁹⁹

1974-1982 URETHANE REAR BUMPER



REAR URETHANE BUMPERS

37753	74 Bumper Brace - Center - 2 req'd	\$29⁹⁹
26816	75-79 Bumper Cover (75 Replacement)	\$499⁹⁹
52105	74-79 Bumper Cover Retainer Set - 4 pc	\$99⁹⁹
26838	74-79 Bumper Cover Retainer - LH Outer	\$25⁹⁹
26839	74-79 Bumper Cover Retainer - RH Outer	\$25⁹⁹
26818	74-79 Bumper Cover Retainer - LH Upper	\$25⁹⁹
26819	74-79 Bumper Cover Retainer - RH Upper	\$25⁹⁹
37744	75-79 Center Bumper Bolt - Rear	\$1⁹⁹
K1154	74-79 License Plate Mount Kit - Rear	\$2⁹⁹
26817	80-82 Bumper Cover	\$499⁹⁹
34540	80-82 Bumper Cover Retainer - LH Outer	\$26⁹⁹

1968-1982 FRONT PLATES & LICENSE FRAMES



1968-1982 CORVETTE SCRIPT LICENSE PLATES

The classic Corvette script in raised lettering on ABS plastic and trimmed in chrome.

- 4068** 68-79 Chrome Letters \$14⁹⁹
- 4075** 68-79 Chrome Letters & Border \$14⁹⁹
- 4069** 80-82 Chrome Letters \$14⁹⁹
- 4076** 80-82 Chrome Letters & Border \$14⁹⁹



#43774



#42527

CROSSFLAGS FRONT LICENSE PLATES

The Corvette Crossflags on Black or Mirrored background.

- 42527** 68-82 Black w/ Mirrored Crossflags \$29⁹⁹
- 43774** 68-82 Mirrored w/ Black Crossflags \$29⁹⁹

SHOW-YOUR-YEAR LICENSE FRAMES

In chrome for 1968-1982. Steel construction. Simply attach your two-digit year to the four-digit number below.



- 4710** Show-Your-Year Frame \$17⁹⁹



OTHER FRAMES AVAILABLE:

- 40255** I'd Rather Be Driving My Corvette Frame \$17⁹⁹
- 26883** Stingray License Frame \$17⁹⁹



In-stock & ready for shipping!

In addition to our regular delivery, we offer more options for getting your packages when you need them. Call our Sales Reps for details.



C3 EMBLEM & SCRIPT LICENSE FRAMES

Place the final touch on your Corvette with a license plate frame that features your Vette's logo. Available in Black or Chrome-plated with C3 emblems and script. These frames mount with TOP HOLES ONLY.

- 49815** C3 Chrome License Frame \$29⁹⁹
- 49816** C3 Black License Frame \$29⁹⁹



NOSE MASKS

Nose Masks by Covercraft feature year-specific fit, soft black felt lining, headlight covers with Velcro attachments and rubberized mesh parking light & grille covers. Install easily with a Flex-Tab system and auto-adjusting tension straps. Allows access to hood and headlights.

- 5941** 68-72 Nose Mask \$119⁹⁹
- 5948** 73-74 Nose Mask \$114⁹⁹
- 5942** 73-79 Nose Mask \$114⁹⁹
- 5943** 80-82 Nose Mask \$114⁹⁹



EMBROIDERED EMBLEM NOSE MASKS

These nose masks offer the best in protection from the manufacturer who knows it best, Covercraft. Available with your choice of beautifully embroidered logos, Covercraft's nose masks are made of breathable vinyl that protects your paint and allows moisture to escape. Masks will not lift or flap at highway speeds. These masks do not have an opening for the license plate.

- 40390** 73-74 Embroidered Emblem Nose Mask \$149⁹⁹
- 40391** 75-79 Embroidered Emblem Nose Mask \$149⁹⁹
- 40392** 80-82 Embroidered Emblem Nose Mask \$149⁹⁹



DIRECT FIT RADIATORS

- No MODIFICATIONS
- FIT TO STOCK HOSES
- GREATER COOLING CAPACITY
- 3-YEAR MANUFACTURER'S WARRANTY



SEE CORVETTEAMERICA.COM FOR RADIATOR DIMENSIONS AND MORE DETAILS.

1968-1982 DIRECT-FIT ALUMINUM RADIATORS

Our Direct Fit Aluminum Radiators fit up to the factory hoses and original supports with no modifications. No cutting. No bending. No installing different hoses. Each core features a double row of extra wide, high-quality tubes, louvered fins and press-formed end tanks. Cores are furnace brazed for the ultimate tube-to-header welds without epoxy. Best of all, they cost much less than other Aluminum Radiators and they're backed by a three-year Manufacturer's Warranty.

STANDARD DIRECT FIT RADIATORS

Standard Direct Fit Aluminum Radiators feature 1" tubes.

44273	68-72 Radiator - Direct Fit - SB - Manual - w/o AC.....	\$519⁹⁹
44274	68 Radiator - Direct Fit - BB - Manual.....	\$509⁹⁹
44275	68 Radiator - Direct Fit - Auto.....	\$529⁹⁹
44277	69-72 Radiator - Direct Fit - BB - Manual.....	\$509⁹⁹
44278	69-72 Radiator - Direct Fit - BB - Auto.....	\$529⁹⁹
44279	69-72 Radiator - Direct Fit - SB - Manual - w/ AC.....	\$509⁹⁹
44280	69-72 Radiator - Direct Fit - SB - Auto.....	\$529⁹⁹
44281	73-76 Radiator - Direct Fit - Manual.....	\$509⁹⁹
44282	73-76 Radiator - Direct Fit - Auto.....	\$529⁹⁹
44283	77-82 Radiator - Direct Fit - Manual.....	\$509⁹⁹
44284	77-82 Radiator - Direct Fit - Auto.....	\$529⁹⁹

HIGH PERFORMANCE DIRECT FIT RADIATORS

High Performance Direct Fit Aluminum Radiators feature 1.25" tubes.

52018	68 Radiator - HP Direct Fit - Auto.....	\$629⁹⁹
52019	68 Radiator - HP Direct Fit - BB - Manual.....	\$619⁹⁹
52016	68-72 Radiator - HP Direct Fit - w/o AC.....	\$619⁹⁹
52020	69-72 Radiator - HP Direct Fit - BB - Auto.....	\$629⁹⁹
52021	69-72 Radiator - HP Direct Fit - BB - Manual.....	\$619⁹⁹
52022	69-72 Radiator - HP Direct Fit - SB - Auto.....	\$629⁹⁹
52023	69-72 Radiator - HP Direct Fit - SB - Manual - w/ AC or w/ LT1.....	\$619⁹⁹
52024	73-76 Radiator - HP Direct Fit - Auto.....	\$629⁹⁹
52025	73-76 Radiator - HP Direct Fit - Manual.....	\$619⁹⁹
52026	77-81 Radiator - HP Direct Fit - Auto.....	\$629⁹⁹
52027	77-81 Radiator - HP Direct Fit - Manual.....	\$619⁹⁹

DIRECT FIT RADIATORS W/ BLACK ICE COATING

Black Ice Coating is a special epoxy that adheres to aluminum without peeling or flaking. It is only 3-5 mils thick and it does NOT affect the cooling performance of the aluminum radiator. The semi-gloss finish resembles the older enamels used on copper/brass radiators to keep that original look under the hood.

52004	68 Radiator - Direct Fit - Auto - Black Ice.....	\$589⁹⁹
52005	68 Radiator - Direct Fit - BB - Manual - Black Ice.....	\$579⁹⁹
52002	68-72 Radiator - Direct Fit - SB - Black Ice.....	\$579⁹⁹
52006	69-72 Radiator - Direct Fit - BB - Auto - Black Ice.....	\$589⁹⁹
52007	69-72 Radiator - Direct Fit - BB - Manual - Black Ice.....	\$579⁹⁹
52008	69-72 Radiator - Direct Fit - SB - Auto - Black Ice.....	\$589⁹⁹
52009	69-72 Radiator - Direct Fit - SB - Manual - Black Ice.....	\$579⁹⁹
52010	73-76 Radiator - Direct Fit - Auto - Black Ice.....	\$589⁹⁹
52011	73-76 Radiator - Direct Fit - Manual - Black Ice.....	\$579⁹⁹
52012	77-82 Radiator - Direct Fit - Auto - Black Ice.....	\$589⁹⁹
52013	77-82 Radiator - Direct Fit - Manual - Black Ice.....	\$579⁹⁹



1968-1982 RADIATOR MODULES W/ FANS

52033	68 Radiator Module System - BB - Auto.....	\$989⁹⁹
52034	68 Radiator Module System - BB - Manual.....	\$957⁹⁹
52031	68-72 Radiator Module System - SB - Auto.....	\$829⁹⁹
52032	68-72 Radiator Module System - SB - Manual.....	\$796⁹⁹
52035	69-72 Radiator Module System - BB - Auto.....	\$989⁹⁹
52036	69-72 Radiator Module System - BB - Manual.....	\$957⁹⁹
52037	69-72 Radiator Module System - SB - Auto.....	\$989⁹⁹
52038	69-72 Radiator Module System - SB - Manual.....	\$957⁹⁹
52039	73-76 Radiator Module System - Auto.....	\$989⁹⁹
52040	73-76 Radiator Module System - Manual.....	\$957⁹⁹
52041	77-81 Radiator Module System - Auto.....	\$989⁹⁹
52042	77-81 Radiator Module System - Manual.....	\$957⁹⁹

Keep the original look. Add Black Ice...

BLACK ICE COATING FOR HIGH PERFORMANCE ALUMINUM RADIATORS

Black Ice Coating is a special epoxy that adheres to aluminum without peeling or flaking. It is only 3-5 mils thick and it DOES NOT affect the cooling performance of the aluminum radiator. The semi-gloss finish resembles the older enamels used on copper/brass radiators to keep that original look under the hood.

43581	68-82 Black Ice Coating - for HP Direct Fit Radiator.....	\$60⁰⁰
--------------	---	--------------------------

BRASS / COPPER RADIATORS*

Corvette America's Brass/Copper Replacement Radiators are manufactured with a 4-row core design (except where noted below) for greater cooling capacity. The result is a more efficient cooling system that doesn't empty your wallet.

X2064	68-72 Radiator - SB (exc 68-72 Auto) - 18 1/2" wide	\$399⁹⁹
X2214	68 Radiator (68 SB Auto) (Big Block exc L88) - 22 1/2" wide	\$409⁹⁹
X2215	69-72 Radiator - Small Block Automatic - 26" wide	\$429⁹⁹
X2216	69-72 Radiator - Big Block - 27 1/2" wide	\$409⁹⁹
X2217	73-76 Radiator - '76 Early	\$409⁹⁹
X2212	77-79 Radiator (2" Thickness) - 3 row core	\$319⁹⁹
X2218	76-79 Radiator (2 5/8" Thickness) - '76 late	\$409⁹⁹
X2213	80-82 Radiator	\$349⁹⁹



**CORVETTE AMERICA'S
BRASS/COPPER RADIATORS
SAVE YOU SOME COOL CASH.**

*SEE CORVETTEAMERICA.COM FOR RADIATOR DIMENSIONS AND MORE DETAILS.

1968-1972 REPRODUCTION RADIATORS

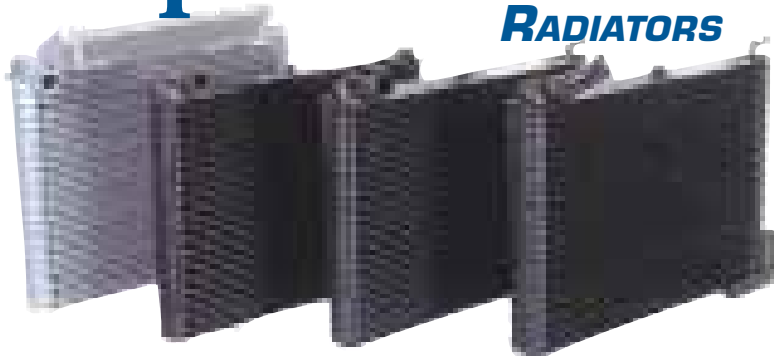
Show your Corvette with the confidence in knowing you have the correct Reproduction Aluminum Radiator that is guaranteed to run at least 20 degrees cooler than any aftermarket brass/copper replacement!

The original stacked aluminum design on all sides will maintain the show quality of your vehicle while exceeding original capabilities to protect your engine from overheating. These exact reproduction radiators are produced with life-long aluminum alloy and high-performance serpentine fins. Backed by a 5-year manufacturer's warranty.

Please specify build date or VIN # when ordering.

41890	68-72 Radiator - Small Block #3155316	\$949⁹⁹
41892	68-69 Radiator - L88 #3007436	\$519⁹⁹
43480	68-72 Radiator - Date Code Fee	\$59⁹⁹
32621	72 Radiator - Small Block	\$849⁹⁹

**Reproduction
RADIATORS**



- MAINTAIN THE SHOW QUALITY OF YOUR CORVETTE
- EXCEED THE ORIGINAL COOLING CAPACITY
- BACKED BY A 5-YEAR MANUFACTURER'S WARRANTY



BE COOL® RADIATOR

Be Cool®'s dual core aluminum construction results in a radiator that is 40% lighter than typical replacements and they guarantee a 20-degree to 40-degree temperature drop, minimum! Features a cast aluminum filler neck with the strongest tanks and mounting flanges available to prevent stress cracks and leaks. All components are 100% USA manufactured. Guaranteed against manufacturing defects for one full year.

25726	68-82 Manual	\$584⁹⁹
--------------	--------------------	---------------------------

RADIATOR CAPS & RELATED

27354	68-72 Aluminum Radiator Drain Cock	\$16⁹⁹
27353	68-82 Brass Radiator Drain Cock - Replacement	\$3⁹⁹
25746	68-72 Radiator Cap "AC" & "15#, RC-26"	\$30⁹⁹
25747	68-72 Radiator Cap "AC" & "15#, RC-15"	\$30⁹⁹
36349	68-72 Radiator Cap - Copper Rad. - Replacement	\$13⁹⁹
51151	68-82 Radiator Cap - 16 psi - Replacement	\$5⁹⁹
36350	73-82 Radiator Cap	\$9⁹⁹



#25746



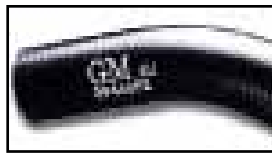
#25747



#36350



#51151



REPRODUCTION RADIATOR HOSES

Reproduction hoses with accurate lettering and GM logo where applicable.

LOWER - SMALL BLOCK

22522	68-72 Small Block, Manual, w/o AC - GM# 3917669	\$27⁹⁹
36362	68 327 w/ AC or Auto - GM# 3917671	\$31⁹⁹
36363	69-72 350 w/ Auto and/or AC, LT1 - GM# 3946854	\$28⁹⁹
22524	73-76 Small Block 1st Design - GM# 355347	\$40⁹⁹
36368	77-82 Rad Hose - Lower - GM# 379933	\$57⁹⁹



LOWER - BIG BLOCK

22516	68 427 w/ HD - GM# 3882826	\$31⁹⁹
22521	68 427 w/o HD - GM# 3921908	\$25⁹⁹
51344	69-71 w/ HD Alum Radiator - GM# 3946012	\$33⁹⁹
32610	69-74 427 w/o Alum Rad. - 70-73 454 w/o AC - 74 All 454 - GM# 3947868	\$37⁹⁹
36364	70-73 454 w/ AC - Front - GM# 3969928	\$11⁹⁹
36365	70-73 454 w/ AC - Rear - GM# 3969929	\$19⁹⁹
36366	70-73 Lower Hose Coupler - 454 w/ AC	\$27⁹⁹



#36360 (detail)

UPPER - SMALL BLOCK

36354	68-72 327/350 - 4 spd w/o AC - Alum. Radiator - GM# 3935466	\$24⁹⁹
22517	68 327 Automatic or AC - GM# 3917670	\$31⁹⁹
36355	69-72 350 w/ Auto and/or AC, 70-72 LT1 - GM# 3946852	\$33⁹⁹
22520	73-76 76E - GM# 368685	\$48⁹⁹
22519	69-71 69 L88, 70 LT1 w/ M22 Trans, 70-71 w/ HD Aluminum Radiator - GM# 3946011	\$33⁹⁹
36357	76-79 76L & 79E, 1 1/2" ID - GM #371443	\$30⁹⁹
36356	77-79 Upper Hose, 1 1/2" ID - GM #3970124	\$40⁹⁹
36358	79-82 79L - 1 1/4" ID - GM #14016075	\$31⁹⁹

UPPER - BIG BLOCK

36359	68 427 2nd Design - GM #3947866	\$27⁹⁹
36360	69 427 - 390 HP or 3x2 - GM #3947867	\$38⁹⁹
22518	69-72 69 w/ PS, 70-72 exc HD Rad. - GM #3967433	\$31⁹⁹
22519	69-71 69 L88, 70 LT1 w/ M22 Trans - GM #3946011	\$33⁹⁹
36361	73-74 Radiator Hose - Upper - 454 - GM #331876	\$31⁹⁹
32990	68-74 Radiator Overflow Hose 327/350	\$8⁹⁹
33524	68-74 Radiator Overflow Hose 427/454	\$5⁹⁹
32971	68-74 Radiator Overflow Hose Straps - 427/454 - pr	\$2⁹⁹



REPLACEMENT RADIATOR HOSES

High-quality replacement hoses keep your Corvette running cool and fit directly onto stock flanges.

LOWER - SMALL BLOCK

X2537	69-72 Replacement - 350 AT, w/ AC, LT1	\$18⁹⁹
X2535	73-76 Replacement - SB - 1st Design	\$18⁹⁹
X2538	77-82 Replacement	\$18⁹⁹

LOWER - BIG BLOCK

X2536	69-74 Replacement - 427/454	\$18⁹⁹
51194	70-73 Replacement - 454 w/ AC	\$10⁹⁹

UPPER - SMALL BLOCK

51192	68-72 Replacement - 4 spd - w/o AC	\$17⁹⁹
51193	70 Replacement - 3 spd - w/o AC, w/o SHP - may req. trimming	\$15⁹⁹
X2534	73-76 Replacement - 350 w/ Copper Radiator - 76E	\$18⁹⁹
51197	76-79 Replacement - 76L-79E - may req. trimming	\$19⁹⁹
51198	79-82 Replacement - 79L-82 - may req. trimming	\$19⁹⁹

UPPER - BIG BLOCK

51193	68 Replacement - may req. trimming	\$15⁹⁹
51196	69-74 Replacement - 71 427 w/ SHP - 72 454 w/ AC, w/ MT	\$20⁹⁹
51195	71-72 Replacement - 71 427 w/ SHP - 72 454 w/ AC, w/ MT	\$15⁹⁹

COOLANT ADDITIVES

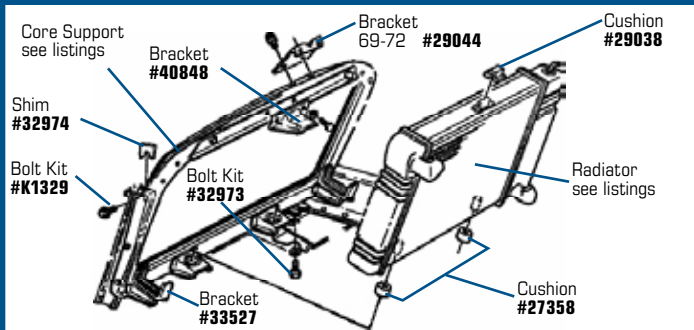
44898	Radiator Relief Additive - 32 oz.	\$18⁹⁹
40853	WaterWetter® Cooling Agent - 12 oz.	\$11⁹⁹

RADIATOR SUPPORTS & RELATED

SEE DIAGRAM AND PICTURES ON NEXT PAGE.

40423	68 Top Radiator Support Bracket	\$34⁹⁹
33002	68-82 Radiator Support Lower Mounting Nut - Square	\$8⁹⁹
32972	68-82 Radiator Support Lower Mounting Nuts - Square - pr	\$17⁹⁹
33527	68-76 Radiator Support U-Bracket - Lower - Welds to Core Support	\$7⁹⁹
29035	69-76 Radiator Support "U" Bracket - Upper LH All except Aluminum Radiator (GM #977)	\$13⁹⁹
29036	69-72 Radiator Support "U" Bracket - Upper RH, 350 - except Aluminum Radiator (GM #974)	\$13⁹⁹
29037	69-76 Radiator Support "U" Bracket - Upper RH - 69-72 427/454 & 73-76 All (GM #976)	\$13⁹⁹
27412	73-79 Radiator Support Brackets - Lower	\$14⁹⁹
1004	68 Bracket - LH Radiator Support 427	\$16⁹⁹
1040	68 Bracket - RH Radiator Support 427	\$16⁹⁹
34909	68 Bracket to Support Bolt Set	\$8⁹⁹
33528	76-78 Bracket - Rad./Fan Shroud Upper Support - LH	\$24⁹⁹
33532	76-78 Bracket - Rad./Fan Shroud Upper Support - RH	\$24⁹⁹
33525	79-82 Bracket - Rad./Fan Shroud Upper Support - LH	\$24⁹⁹
33526	79-82 Bracket - Rad./Fan Shroud Upper Support - RH	\$24⁹⁹
33530	76-82 Cushion - Upper Mount - 2 5/8" Radiator	\$12⁹⁹
33531	76-82 Cushion - Lower Mount - 2 5/8" Radiator	\$9⁹⁹

**1968-1972 RADIATOR & SUPPORT
MANUAL W/ AIR CONDITIONING**



PIN MOUNT

SADDLE MOUNT



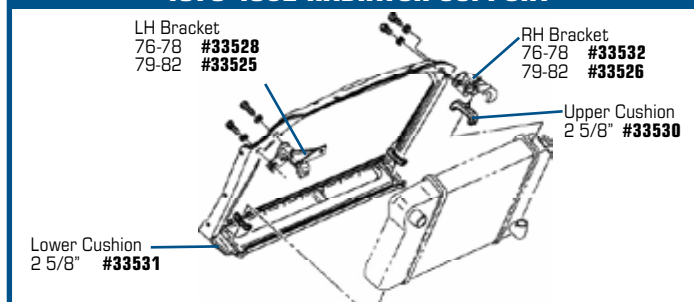
32974	68-82 Core Support Shim.....	\$0⁹⁹
32973	68-82 Core Support to Frame Lower Bolt & Lockwasher Set - 4 pc	\$4⁹⁹
K1325	68-82 Core Support Side Bolt Set - 6 pc	\$4⁹⁹
K1491	73-82 Core Support - Frame Bolt Set	\$4⁹⁹
27358	68-72 Cushion - Lower Radiator - Round	\$2⁹⁹
29038	68-72 Cushion - Upper Radiator - Square - 327/350.....	\$5⁹⁹
X2244	68-75 Cushion - Upper & Lower Brass Radiator Mount - 5 3/8"	\$3⁹⁹
33512	76-80 Cushion - Upper & Lower - 2" Radiator	\$16⁹⁹
27358	68-72 Cushion - Lower Radiator - Round	\$2⁹⁹
K1329	68-82 Radiator Support Bolt & Shim Kit - 18 pc	\$9⁹⁹
1186	68-72 Retainer - Lower - Valance to Radiator	\$9⁹⁹
25440	69-72 Small Block w/ Aluminum Radiator - Pin Mount.....	\$329⁹⁹
25441	69-72 26 1/2" between Brackets (CL) - Saddle Mount...	\$329⁹⁹
25442	69-72 27 1/2" between Brackets (CL) - Saddle Mount...	\$329⁹⁹
40848	69-72 Top Radiator Support Bracket for Aluminum Radiator.....	\$22⁹⁹
29038	68-72 Cushion - Upper Radiator - Square - 327/350.....	\$5⁹⁹
25444	73-76 27 1/2" between Brackets (CL) 76E - Saddle Mount	\$329⁹⁹
25445	76-82 76 2nd Design - 78-82 Replacement	\$329⁹⁹
25443	79-82 Radiator Support	\$329⁹⁹



RADIATOR SUPPORT & SHROUD SEAL KITS

39834	68 327 w/ Steel Shroud	\$81⁹⁹
39835	68 327 w/ Plastic Shroud	\$61⁹⁹
39836	68 427 w/ Steel Shroud	\$78⁹⁹
39837	68 427 w/ Plastic Shroud	\$51⁹⁹
39838	69 350 w/ Steel Shroud - Early	\$52⁹⁹
39839	69 350 w/ Plastic Shroud - Early	\$48⁹⁹
39840	69 350 w/ Copper Radiator & Plastic Shroud - Late ..	\$54⁹⁹
39841	69 350 w/ Aluminum Radiat. & Steel Shroud - Late ..	\$57⁹⁹
39842	69 350 w/ Alum. Radiat. & Plastic Shroud - Late	\$57⁹⁹
39843	69 427 Early	\$44⁹⁹
39844	69 427 Late	\$46⁹⁹
39845	70 350 w/ Aluminum Radiator & Steel Shroud	\$57⁹⁹
39846	70 350 w/ Aluminum Radiator & Plastic Shroud	\$54⁹⁹
39847	70 350 w/ Copper Radiator & Plastic Shroud	\$57⁹⁹
39848	70 454	\$46⁹⁹
39849	71 350 w/ Aluminum Radiator & Steel Shroud	\$57⁹⁹
39850	71 350 w/ Aluminum Radiator & Plastic Shroud	\$54⁹⁹
39851	71 350 w/ Copper Radiator & Plastic Shroud	\$54⁹⁹
39852	71 454	\$57⁹⁹
39853	72 350 w/ Aluminum Radiator & Steel Shroud	\$57⁹⁹
39854	72 350 w/ Aluminum Radiator & Plastic Shroud	\$57⁹⁹
39855	72 350 w/ Copper Radiator & Plastic Shroud	\$57⁹⁹
39856	72 454	\$57⁹⁹
39857	70 LT1	\$54⁹⁹
39858	71 LT1 - 71 Early	\$54⁹⁹
39859	71-72 LT1 - 71 Late	\$46⁹⁹
39860	73 All Engines	\$57⁹⁹
39861	74-75 w/o Air Conditioning	\$57⁹⁹
39862	74-75 w/ Air Conditioning	\$57⁹⁹

1976-1982 RADIATOR SUPPORT



39863	76	w/o Air Conditioning - 76 Early	\$46⁹⁹
39864	76	w/ Air Conditioning - 76 Early	\$49⁹⁹
39865	76-78	L48 w/o Air Conditioning - 76 Late	\$32⁹⁹
39866	76-77	L82 or w/ Air Conditioning - 76 Late	\$32⁹⁹
39867	78	L82 or w/ Air Conditioning	\$30⁹⁹
39868	79	L48 w/o Air Conditioning.....	\$30⁹⁹
39869	79	L82 or w/ Air Conditioning	\$32⁹⁹
39870	80-81	80 L48 w/o Air Cond. & 81 w/o HD Radiator	\$30⁹⁹
39871	80-81	80 L82 or w/ Air Cond. & 81 w/ HD Radiator.....	\$32⁹⁹
39872	82	All Engines	\$33⁹⁹
39832	69-78	Radiator Support/Shroud Seal Fastener - Push-In Type - Replacement - 9 pc	\$4⁹⁹



29046	73-76	Fan Shroud Bracket - Upper - RH.....	\$21⁹⁹
40851	68	Fan Shroud Extension - w/ AC Lower	\$129⁹⁹
40850	68	Fan Shroud Extension - w/ AC Upper	\$129⁹⁹
51447	70-72	Fan Shroud Extension - 350 Small Block w/ AC	\$99⁹⁹
29040	73-75	Fan Shroud Extension - Small Block.....	\$99⁹⁹
2606	70-74	Fan Shroud Extension - 454 w/ AC.....	\$93⁹⁹
29041	70-72	Fan Shroud Extension - 454 w/o AC	\$94⁹⁹
22799	82	Fan Switch Conversion Harness	\$5⁰⁰
40372	82	Fan Switch & Harness.....	\$39⁹⁹
29047	76-78	Fan Shroud to Radiator Support Clips - Lower - 76L	\$7⁹⁹



FANS & FAN SHROUDS

1116	68-69	Fan - 5 Blade 427 w/o AC.....	\$198⁹⁹
33538	71-77	Fan - 7 Blade 17 1/2" - 350 w/ AC	\$147⁹⁹
33539	76-82	Fan - 7 Blade 18 1/2" - 350 w/ AC	\$81⁹⁹
33533	79-82	Fan.....	\$85⁹⁹
44645	68-70	Fan Clutch (O.E.M.).....	\$79⁹⁹
44646	72-79	Fan Clutch - 72-73 All, 74 -76 w/o AC, 77-79 w/o AC & HD Rad.....	\$105⁹⁹
44647	74-81	Fan Clutch - 74-75 w/ AC, 76-78 SP HP & AC, 77-79 w/ HD Rad, 80-81 w/ HDC.....	\$134⁹⁹
44648	76-82	Fan Clutch - 76-78 w/ AC w/o SP HP, 79-80 w/o SP HP, 82 w/ HDC	\$134⁹⁹
44649	79-82	Fan Clutch - 79-80 w/ SHP, 81-82 w/o HDC	\$69⁹⁹
27396	68-70	Fan Clutch to Water Pump Bolts - 4 pc	\$10⁹⁹
K1321	69-81	Fan Clutch to Water Pump Stud Set - 4 pc	\$8⁹⁹
K1242	68-73	Fan to Clutch Nut & Washer Set - 8 pc	\$2⁹⁹
K1303	68-70	Fan to Clutch Studs - 4 pc set.....	\$8⁹⁹
31247	68-70	Fan Clutch Eliminator.....	\$67⁹⁹
31248	71-82	Fan Clutch Eliminator.....	\$67⁹⁹
33534	79-82	Fan Motor	\$59⁹⁹
1519	68	Fan Shroud - Fiberglass - 427 All, 327 w/ AC and/or Auto Trans.	\$229⁹⁹
41360	69-72	Fan Shroud - Big Block - w/ Extension.....	\$419⁹⁹
51797	69-72	Fan Shroud - Small Block - Plastic Replacement ..	\$169⁹⁹
42581	68-71	Fan Shroud - Fiberglass - 68 427, 68 w/ AC w/ Auto Trans. exc 427, 68 w/ AC, 70 350 w/ Auto Trans., 71 350 w/ Auto Trans. exc AC....	\$359⁹⁹
2469	70-72	Fan Shroud - 454 w/o AC.....	\$229⁹⁹
41361	70-75	Fan Shroud - 70-72 454 w/ AC, 73-75 All.....	\$529⁹⁹
51798	73-75	Fan Shroud - All - Import.....	\$169⁹⁹
51799	73-75	Fan Shroud - 350 - Import	\$79⁹⁹
42576	73-75	Fan Shroud - Replacement	\$199⁹⁹
2470	69-72	Fan Shroud - 327, 350; 70-72 4-spnd	\$229⁹⁹
41362	76	Fan Shroud - 76 Early.....	\$1279⁹⁹
29042	76-82	Fan Shroud (76L, 79-80 exc L82).....	\$209⁹⁹
29043	68-69	Fan Shroud Bracket - Lower	\$11⁹⁹
29044	69-72	Fan Shroud Bracket - Upper - All.....	\$17⁹⁹
29045	73-76	Fan Shroud Bracket - Upper - LH	\$21⁹⁹

FAN SHROUD TOPPERS



Detail your engine compartment using our elegant Topper. Your choice of black textured or brushed satin silver finish. Can also be mounted on the side of the air cleaner housing or any other suitable location. Minor trimming may be required.

43579	68-82	Fan Shroud Topper - Black - Engraved.....	\$17⁹⁹
43580	68-82	Fan Shroud Topper - Brushed Alum. - Engraved	\$15⁹⁹

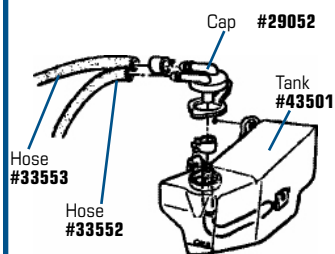


AIR DAMS

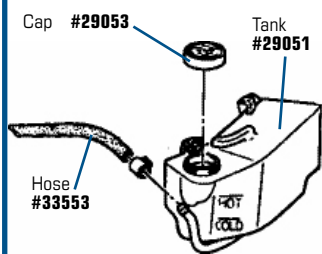
Keep your engine running cool with these urethane Air Dams. They also provide a fresh, clean look, durability and easy installation.

9220	68-72	Front Air Dam.....	\$50⁹⁹
36372	68-72	Front Air Dam Mount Kit.....	\$5⁹⁹
36373	73-79	Front Air Dam Mount Kit.....	\$7⁹⁹
9221	73-79	Front Air Dam.....	\$50⁹⁹
4248	73-79	Front Spoiler - Polyurethane - 3 pc.....	\$224⁹⁹
37749	79	Front Spoiler Extension - w/ L48 HD Cooling	\$69⁹⁹
9222	80-82	Front Air Dam - LH.....	\$49⁹⁹
9223	80-82	Front Air Dam - RH	\$49⁹⁹
X2176	80-82	Front Air Dam - Pair - Incl. #9222 & #9223	\$84⁹⁹
36380	80-82	Front Air Dam Mounting Kit	\$13⁹⁹

73-77E RECOVERY TANK

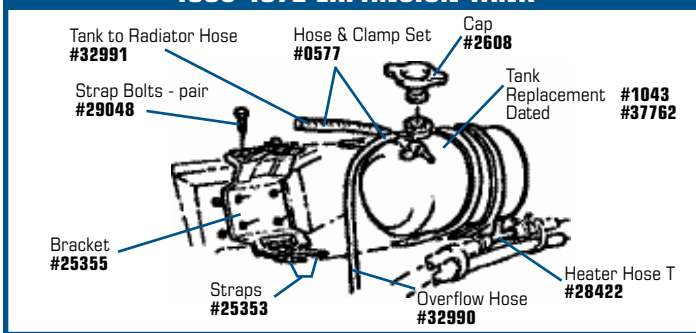


77L-82 RECOVERY TANK



- 43501** 73-77 Coolant Recovery Tank (77E) \$24⁹⁹
- 29051** 77-82 Coolant Recovery Tank (77L) \$26⁹⁹
- 29052** 73-77 Coolant Recovery Tank Cap (77E)..... \$5⁹⁹
- 29053** 77-82 Coolant Recovery Tank Cap (77L)..... \$9⁹⁹
- 40863** 78-82 Coolant Reservoir Cap Cover - Chrome..... \$19⁹⁹
- 40863** 73-82 Coolant Recovery Tank Mount Kit \$3⁹⁹
- 33552** 74-77 Coolant Recovery Tank Overflow Hose..... \$5⁹⁹
- 33553** 74-82 Coolant Recovery Tank to Radiator Hose..... \$5⁹⁹
- K1264** 74-82 Coolant Tank Hose Clamp Set - 5 pc..... \$2⁹⁹

1968-1972 EXPANSION TANK



- 37762** 68-72 Expansion Tank - exc 427/454 w/ AC - Dated..... \$185⁹⁹
- 1043** 68-72 Expansion Tank - exc 427/454 w/ AC - Replace... \$178⁹⁹
- 25760** 69-72 Expansion Tank - 427/454 w/ AC \$269⁹⁹
- 27407** 68-72 Expansion Tank Aluminum Tubes - 3 pc set..... \$22⁹⁹
- 25355** 68-72 Expansion Tank Bracket..... \$10⁹⁹
- 36371** 68-72 Exp. Tank Bracket to Fender Rivets - 4 pc set \$0⁹⁹

- 2608** 68-72 Expansion Tank Cap \$54⁹⁹
- 0577** 68-72 Expansion Tank Hose & Clamp Set..... \$49⁹⁹
- 30911** 68-72 Expansion Tank Hose Clamps - 2 pc set..... \$5⁹⁹
- 32990** 68-72 Expansion Tank Overflow Hose \$8⁹⁹
- 32991** 68-74 Expansion Tank to Radiator Hose w/ Logo \$12⁹⁹
- 25353** 68-72 Expansion Tank Straps - pr \$10⁹⁹
- 29048** 68-72 Expansion Tank Strap Bolts - "EL" - pr..... \$3⁹⁹
- 28422** 68-72 Heater Hose Water "T" Fitting..... \$10⁹⁹
- 34900** 68-74 Hose Clamps - Expansion Tank to Radiator Hose... \$28⁹⁹
- 32993** 73-82 Expansion Tank to Radiator Hose Kit..... \$12⁹⁹

COOLING HOSE CLAMP KITS

All the clamps you need for your radiator, heater, expansion tank, overflow and bypass hoses. Original design, exact fit and correctly plated finishes and colors.

HOSE CLAMP KITS - SMALL BLOCK

- | | |
|---|--|
| 0024 68 Early..... \$18 ⁹⁹ | 0062 73-74 \$32 ⁹⁹ |
| 0025 68 w/ AC - Early \$33 ⁹⁹ | 0063 73-74 w/ AC \$32 ⁹⁹ |
| 0026 68 Late..... \$28 ⁹⁹ | 0064 75 \$32 ⁹⁹ |
| 0027 68 w/ AC - Late \$35 ⁹⁹ | 0071 75 w/ AC \$30 ⁹⁹ |
| 0049 69 w/ AC \$32 ⁹⁹ | 0074 76 \$32 ⁹⁹ |
| 0050 70 \$36 ⁹⁹ | 0075 76 w/ AC \$30 ⁹⁹ |
| 0051 70 w /AC \$34 ⁹⁹ | 0076 77 \$32 ⁹⁹ |
| 0059 71-72 \$32 ⁹⁹ | 0078 77 w/ AC \$32 ⁹⁹ |
| 0056 70-72 LT1..... \$30 ⁹⁹ | 0079 78-79 \$32 ⁹⁹ |
| 0058 72 LT1 w/ AC ... \$32 ⁹⁹ | 0088 78-82 w/ AC \$30 ⁹⁹ |

HOSE CLAMP KITS - BIG BLOCK

- | | |
|--|--|
| 0129 68 Early..... \$17 ⁹⁹ | 0137 70 \$45 ⁹⁹ |
| 0130 68 w/ AC - Early \$17 ⁹⁹ | 0138 70 w/ AC \$42 ⁹⁹ |
| 0131 68 Late..... \$34 ⁹⁹ | 0139 71-73 \$24 ⁹⁹ |
| 0132 68 w/ AC Late ... \$34 ⁹⁹ | 0140 71-72 w/ AC \$45 ⁹⁹ |
| 0134 68 L88 \$35 ⁹⁹ | 0141 73 w/ AC \$36 ⁹⁹ |
| 0135 69 \$31 ⁹⁹ | 0142 74 \$34 ⁹⁹ |
| 0041 69 L88 \$36 ⁹⁹ | 0143 74 w/ AC \$33 ⁹⁹ |



THERMOSTAT & RELATED

- 27403** 68-82 Thermostat -160° \$5⁹⁹
- 27404** 68-82 Thermostat -180° \$5⁹⁹
- 27405** 68-82 Thermostat -195° \$5⁹⁹
- 50916** 68-82 Thermostat - 205° \$5⁹⁹
- 40562** 81-82 Thermostat - 160° - Hypertech..... \$6⁹⁹
- 51687** 78-82 Thermostat \$10⁹⁹
- 32988** 68-73 Thermostat Housing - All Exc L88 \$54⁹⁹
- 32986** 68-69 Thermostat Housing - Correct - Cast - L88..... \$61⁹⁹
- 51100** 68-75 Thermostat Housing - Chrome - All Exc L88..... \$13⁹⁹
- 33550** 74-81 Thermostat Housing - Aftermarket..... \$14⁹⁹
- 51735** 74-81 Thermostat Housing - GM..... \$49⁹⁹
- 51346** 68-75 Thermostat Housing - Reproduction \$50⁹⁹
- 33551** 82 Thermostat Housing \$19⁹⁹
- 32989** 68-73 Thermostat Housing Bolt Kit \$5⁹⁹
- 37015** 68-69 Thermostat Housing Bolt Kit - L88..... \$6⁹⁹
- 27402** 68-82 Thermostat Housing Gasket \$2⁹⁹
- 34896** 68-69 Thermostat Housing Spacer - L88 \$27⁹⁹
- 40862** 68-74 Thermostat Housing Stud - 3/8-16 - 327/350 \$5⁹⁹



WATER PUMP & RELATED

27390	68-80 Heater Hose Fitting Adapter 3/4" - 1/2" NPT	\$5⁹⁹
27388	68-80 Heater Hose Fitting on Intake - 1/2" Thread - 5/8" Hose	\$6⁹⁹
40861	75-82 Heater Hose Fitting On Intake w/ AC	\$8⁹⁹
32984	68-72 Heater Hose Fitting in Water Pump - w/o AC	\$10⁹⁹
32985	68-82 Heater Hose Fitting in Water Pump - 68-72 w/ AC, 73-82 All	\$10⁹⁹
51050	68-70 Water Pump - #608 - Reman. - 1 outlet	\$139⁹⁹
51051	68-70 Water Pump - #609 - New - 1 outlet	\$42⁹⁹
51052	68-70 Water Pump - #326 - Reman. - 2 outlet	\$319⁹⁹
40854	68-70 Water Pump - 327/350 - Replacement	\$44⁹⁹
51057	68-74 Water Pump - #284 - Big Block - Reman. - No Date Code	\$115⁹⁹
51058	68-74 Water Pump - #077 - Big Block - Reman. - No Date Code	\$84⁹⁹
51060	71-82 Water Pump - #551 - Small Block - Reman. - No Date Code	\$39⁹⁹
33546	71-82 Water Pump - 350 - Replacement	\$49⁹⁹
41374	71-82 Water Pump - Small Block - Chrome	\$169⁹⁹
44912	71-82 Water Pump - Small Block - Chrome Platinum	\$293⁹⁹
44914	71-82 Water Pump - Small Block - Chrome Supercool	\$174⁹⁹
44656	68-70 Water Pump - 427/454 - Replacement	\$79⁹⁹
44657	71-74 Water Pump - 454 - Replacement	\$79⁹⁹
44909	71-74 Water Pump - Big Block - Chrome Supercool	\$194⁹⁹
40855	68 Water Pump - Dated Rebuilt SB HP w/ Bypass #326	\$349⁹⁹
40856	68-70 Water Pump - Dated Rebuilt SB Base Engine w/o Bypass #608	\$236⁹⁹
40857	71-72 Water Pump - Dated Rebuilt SB #399/813	\$249⁹⁹
40858	73-82 Water Pump - Dated Rebuilt SB #813	\$267⁹⁹
40859	68-70 Water Pump - Dated Rebuilt BB Small Shaft #284, 1970 Early	\$364⁹⁹
40860	70-74 Water Pump - Dated Rebuilt BB Large Shaft #077, 1970 Late	\$315⁹⁹
36351	68-74 Water Pump Attaching Stud - Upper - RH	\$4⁹⁹
36352	68-82 Water Pump Attaching Stud - Upper - LH	\$5⁹⁹
K1409	68-82 Water Pump Backplate Bolts - 6 pc set	\$3⁹⁹
32977	68-76 Water Pump Bolts - SB w/ AC - 4 pc set	\$13⁹⁹
32976	68-74 Water Pump Bolt Set - 4 pc w/o AC 350	\$6⁹⁹
32980	68-74 Water Pump Bolt & Stud Set 427/454 - 4 pc	\$11⁹⁹
33187	68-74 Water Pump Bypass Hose - 427/454	\$6⁹⁹
32982	68-69 Water Pump Bypass Hose Fitting on Intake - 427 ..	\$8⁹⁹
35361	68-80 Water Pump Intake Heater Delete Plug	\$3⁹⁹
32981	68-82 Water Pump Mount Gasket - 327/350 - 2 req'd	\$2⁹⁹
33548	68-74 Water Pump Mount Gasket - 427/454 - 2 req'd	\$2⁹⁹
27379	68-70 Water Pump Rebuild Kit - Small Block	\$62⁹⁹
37010	68-69 Water Pump Rebuild Kit - 427	\$53⁹⁹
37011	71-74 Water Pump Rebuild Kit - 454	\$62⁹⁹
36353	69-81 Water Pump Stud - (69-71 & 75-81)	\$3⁹⁹



SMALL GAUGE BEZELS & RELATED

20300	68 Bezel - Small Gauge - Early - w/o Wiper Override	\$309⁹⁹
20301	68 Bezel - Small Gauge - Late - w/ Wiper Override	\$309⁹⁹
2130	69-71 Bezel - Small Gauge	\$137⁹⁹
2131	72-76 Bezel - Small Gauge	\$111⁹⁹
2132	77 Bezel - Small Gauge	\$88⁹⁹
2133	78-82 Bezel - Small Gauge (81-82 w/ Clock above Radio)	\$88⁹⁹
36376	81-82 Bezel - Small Gauge w/ Digital Clock in Radio - exc Collector Edition	\$88⁹⁹
36378	82 Bezel - Small Gauge - Collector Edition w/ Clock in Bezel	\$99⁹⁹
43468	82 Bezel - Small Gauge - Collector Edition - w/ Oil Temp in Bezel	\$99⁹⁹



SMALL GAUGE BEZELS FOR STEREO CD

Plastic Gauge Bezel allows installation of current style CD player.

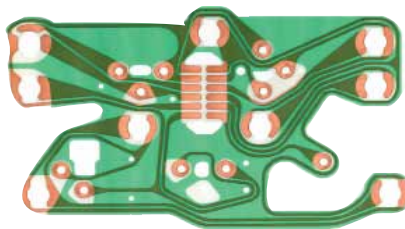
49810	68-71 Gauge Bezel - Stereo CD	\$249⁹⁹
49811	72-76 Gauge Bezel - Stereo CD	\$249⁹⁹
49812	77 Gauge Bezel - Stereo CD	\$199⁹⁹
49813	78-80 Gauge Bezel - Stereo CD	\$189⁹⁹
49814	81-82 Gauge Bezel - Stereo CD	\$189⁹⁹

DASH, GAUGES & CONSOLE



SMALL GAUGES & RELATED

33809	68-71 Amp Gauge - Green Face	\$59⁹⁹
33817	68-71 Temperature Gauge - Green Face	\$59⁹⁹
39942	68-71 Fuel Gauge - Green Face	\$59⁹⁹
39943	68-71 Oil Gauge - Green Face	\$59⁹⁹
42834	72-73 Oil Gauge	\$59⁹⁹
42835	72-74 Amp Gauge	\$59⁹⁹
42832	72-74 Fuel Gauge	\$59⁹⁹
42833	72-74 Temperature Gauge	\$59⁹⁹
50475	74 Oil Gauge	\$59⁹⁹
50501	75-76 Amp Gauge	\$59⁹⁹
50481	75-76 Fuel Gauge	\$59⁹⁹
50503	75-76 Temperature Gauge	\$59⁹⁹
50476	75-76 Oil Gauge	\$59⁹⁹
50479	77 Amp Gauge	\$59⁹⁹
50478	77 Fuel Gauge	\$59⁹⁹
50480	77 Temperature Gauge	\$59⁹⁹
50477	77 Oil Gauge	\$59⁹⁹
50504	78 Temperature Gauge	\$59⁹⁹
50500	78-82 Fuel Gauge	\$59⁹⁹
44638	78-82 Oil Gauge	\$59⁹⁹
50502	78-82 Amp Gauge	\$59⁹⁹
50505	79 Temperature Gauge	\$59⁹⁹
50506	80-82 Temperature Gauge	\$59⁹⁹
44640	81-82 Oil Temperature & Sending Gauge	\$81⁹⁹



Restore function to your small gauges, warning lights and dash bulbs with this flexible printed circuit board.

X2418	77-82 Center Gauge Console Printed Circuit	\$69⁹⁹
--------------	--	--------------------------

33827	68-77 Dash Gauge Seal Kit - 9 pc.	\$15⁹⁹
36237	78-82 Needles - Small Gauge - 4 pc set	\$29⁹⁹
40892	68-73 Oil Pressure Line Fitting on Back of Gauge	\$15⁹⁹



X2010	68-82 Lens - Center Gauge Cluster - exc Collector Ed.	\$14⁹⁹
36375	68-82 Plastic Anchor Nut - 68-76 Small Gauge Bezel	\$1⁹⁹
K1116	68-76 Screws - Gauge Cluster - 4 pc.	\$2⁹⁹
K1450	68-76 Screws - Small Gauge Bezel - 9 pc set	\$3⁹⁹
K1131	77-82 Screws - Small Gauge Bezel - 9 pc set	\$4⁹⁹



SPEEDOMETER & RELATED

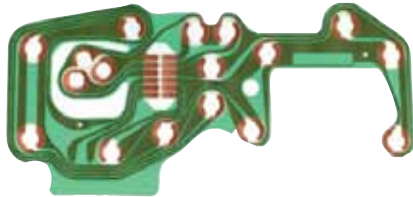
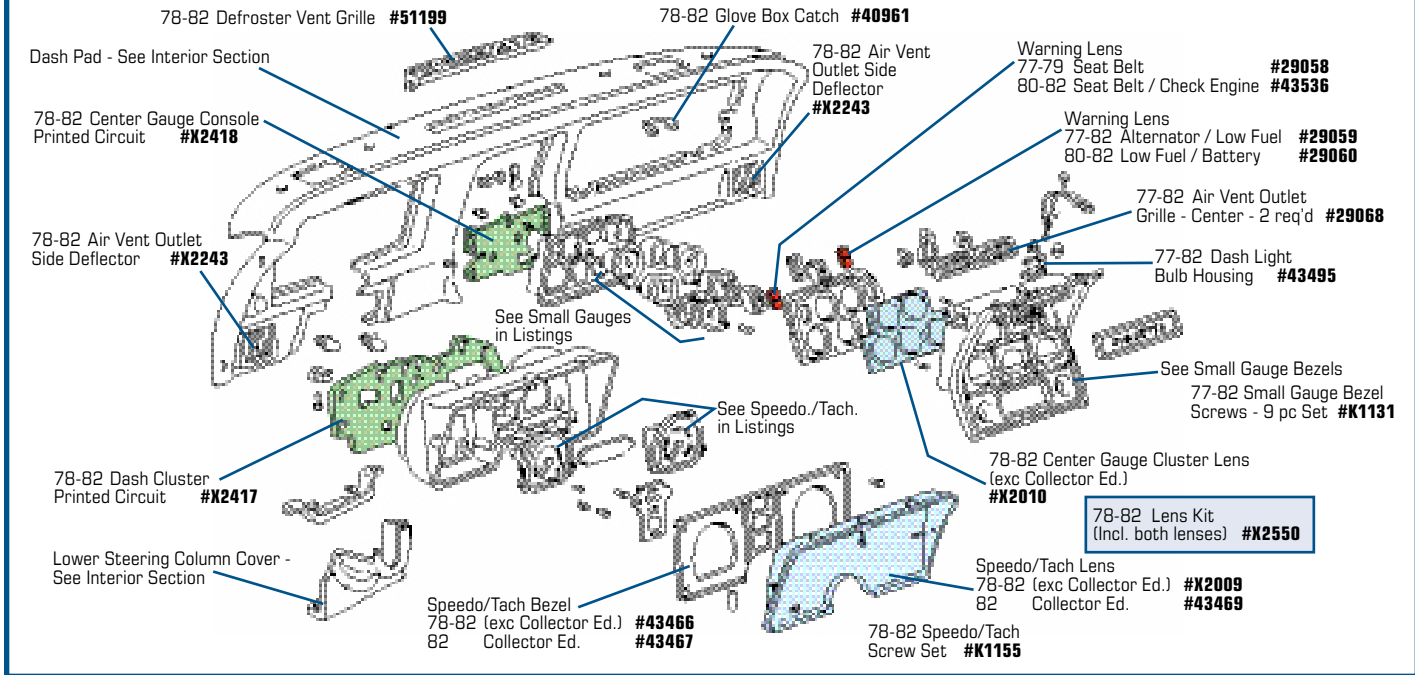
2143	68-77 Needle - Speedometer/Tachometer	\$20⁹⁹
44644	78-82 Needle - Speedometer	\$13⁹⁹
1604	68-77 Odometer Drive Gear - Plastic	\$12⁹⁹
42914	68 Speedometer - w/o Speed Warning	\$279⁹⁹
1524	69-71 Speedometer - w/o Speed Warning	\$279⁹⁹
42915	72-74 Speedometer	\$280⁹⁹
37242	68 Speedometer Cable - 4 spd	\$32⁹⁹
0277	69-77 Speedometer Cable - Manual - 72"	\$32⁹⁹
0263	69-77 Speedometer Cable - Upper - Auto - 40"	\$32⁹⁹
36692	69-77 Speedometer Cable - Lower - Auto	\$37⁹⁹
36693	78-81 Speedometer Cable w/o Cruise - 4 spd	\$23⁹⁹
36694	78-82 Speedometer Cable w/o Cruise - Auto	\$26⁹⁹
36695	77-82 Speedometer Cable w/ Cruise - Upper	\$23⁹⁹
36696	77-82 Speedometer Cable w/ Cruise - Lower	\$32⁹⁹
33228	68-82 Speedometer Cable Clamp	\$2⁹⁹
50577	80-82 Speedometer Cable	\$49⁹⁹
51471	78-82 Speedometer Face - 140 mph	\$34⁹⁹
X2577	63-82 Speedo Cable Firewall Grommet - Correct	\$8⁹⁹
K1155	78-82 Speedometer/Tachometer Cluster & Lens Screw Set	\$2⁹⁹
35564	68-77 Tach/Speedo Mounting Bracket - exc AC	\$8⁹⁹
35562	68-82 Tach/Speedo Mounting Cushions - pr	\$2⁹⁹
29073	68-77 Trip Odometer Reset Cable w/ Knob	\$62⁹⁹



SPEEDOMETER HOUSING & LENSES

49108	68-71 Speedo/Tach Retainer Housing - Green	\$89⁹⁹
49109	72-77 Speedo/Tach Retainer Housing - Blue	\$89⁹⁹
33827	68-77 Dash Gauge Seal Kit - 9 pc.	\$15⁹⁹
33826	68-77 Gasket - Speedometer/Tachometer Lens	\$4⁹⁹
43466	78-82 Bezel - Speedometer/Tachometer - exc Collector	\$59⁹⁹
43467	82 Bezel - Speedometer/Tachometer - Collector	\$59⁹⁹
X2008	68-77 Lens - Tachometer/Speedometer	\$19⁹⁹
X2009	78-82 Lens - Tach/Speedometer - exc Collector Ed	\$44⁹⁹
43469	82 Lens - Tach/Speedometer - Collector Edition	\$139⁹⁹
X2549	68-77 Lens Kit - Speedo/Tach/Gauge Cluster	\$49⁹⁹
X2550	78-82 Lens Kit - Speedo/Tach/Gauge Cluster	\$59⁹⁹
43466	78-82 Speedometer/Tachometer Bezel	\$59⁹⁹
43467	82 Speedometer/Tachometer Bezel - Collector Ed	\$59⁹⁹
K1155	78-82 Speedo/Tach Cluster & Lens Screw Set	\$2⁹⁹

1978-1982 DASH ASSEMBLY



#42917

#42919

#42924

SPEEDO CIRCUIT BOARDS

Restore function to your Speedo/Tach warning lights and dash bulbs with a new Dash Cluster Printed Circuit.

X2417 78-82 Dash Cluster Printed Circuit..... \$69⁹⁹



#40867



#26520



#26594



#29055



#29059



#26591



#29058



#43536

- 40867** 68-71 Seat Belt Warning Push Button \$12⁹⁹
- 26520** 69-74 Warning Lens - Door Ajar & Headlight \$19⁹⁹
- 26594** 72-76 Warning Lens - Door Ajar & Headlight \$19⁹⁹
- 29059** 77-82 Warning Lens - Alternator/Low Fuel \$9⁹⁹
- 26522** 77-79 Warning Lens - Low Fuel/Generator \$19⁹⁹
- 29060** 80-82 Warning Lens - Low Fuel/Battery \$8⁹⁹
- 29055** 68-71 Warning Lens - Seat Belt \$6⁹⁹
- 26591** 72-76 Warning Lens - Seat Belt \$4⁹⁹
- 29058** 77-79 Warning Lens - Seat Belt \$8⁹⁹
- 26521** 77-79 Warning Lens - Seat Belt \$9⁹⁹
- 43536** 80-82 Warning Lens - Seat Belt/Check Engine \$9⁹⁹
- 29061** 77-82 Low Fuel Warning Modules - ea \$59⁹⁹

1968-1982 TACHOMETERS

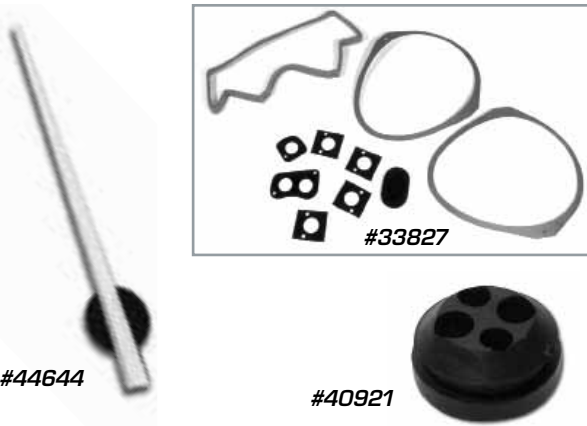
42917	68	Tachometer - 5300 RPM	\$179 ⁹⁹
42918	68	Tachometer - 5600 RPM	\$179 ⁹⁹
42919	68	Tachometer - 6000 RPM	\$179 ⁹⁹
42920	68-71	Tachometer - 6500 RPM	\$179 ⁹⁹
1525	69-71	Tachometer - 5300 RPM	\$179 ⁹⁹
1529	69-71	Tachometer - 5600 RPM	\$179 ⁹⁹
1530	69-71	Tachometer - 6000 RPM	\$179 ⁹⁹
1531	69-71	Tachometer - 6500 RPM	\$179 ⁹⁹
42921	72-74	Tachometer - 5300 RPM	\$179 ⁹⁹
42922	72-74	Tachometer - 5600 RPM	\$179 ⁹⁹
42923	72-74	Tachometer - 6000 RPM	\$179 ⁹⁹
42924	72-74	Tachometer - 6500 RPM	\$179 ⁹⁹
51432	78-79	Tachometer - All Exc L-82	\$199 ⁹⁹
51430	78-79	Tachometer - L-82 - 79E	\$199 ⁹⁹
51431	79-82	Tachometer - L-82 - 79L	\$199 ⁹⁹
51429	80	Tachometer - 305 Engine	\$199 ⁹⁹
51433	80-81	Tachometer - L-48	\$199 ⁹⁹
51434	82	Tachometer	\$199 ⁹⁹

TACH CIRCUIT BOARDS

Repair your electronic tachometer with a brand new circuit board. Easy to install.

- X2484** 75-77 Electronic Tachometer Printed Circuit Board \$59⁹⁹
- X2485** 78-79 Electronic Tachometer Printed Circuit Board \$59⁹⁹
- X2486** 80-82 Electronic Tachometer Printed Circuit Board \$59⁹⁹





CLOCKS

1968-1982 TACHOMETER RELATED

43466	78-82 Bezel - Speedometer/Tachometer - exc Collector	...	\$59⁹⁹
43467	82 Bezel - Speedometer/Tachometer - Collector	\$59⁹⁹
33827	68-77 Dash Gauge Seal Kit - 9 pc.	\$15⁹⁹
X2008	68-77 Lens - Tachometer	\$19⁹⁹
X2009	78-82 Lens - Tachometer/Speedometer - exc Collector	\$44⁹⁹
43469	82 Lens - Speedometer/Tachometer - Collector	\$139⁹⁹
33826	68-77 Gasket - Speedo or Tach Lens	\$4⁹⁹
2143	68-77 Needle - Speedometer/Tachometer	\$20⁹⁹
44644	78-82 Needle - Tachometer	\$13⁹⁹
37239	68 Tachometer Cable	\$27⁹⁹
0275	69-74 Tachometer Cable - 22"	\$23⁹⁹
40921	68-74 Tach Cable Firewall Grommet	\$6⁹⁹
1599	75-82 Tachometer Filter	\$29⁹⁹
51043	75-77 Tach Repair & Pigtail Connector	\$12⁹⁹
K1155	78-82 Tach/Speedo Cluster & Lens Screw Set	\$2⁹⁹
35564	68-77 Tach/Speedo Mounting Bracket - exc AC	\$8⁹⁹
35562	68-82 Tach/Speedo Mounting Cushions - pr	\$2⁹⁹

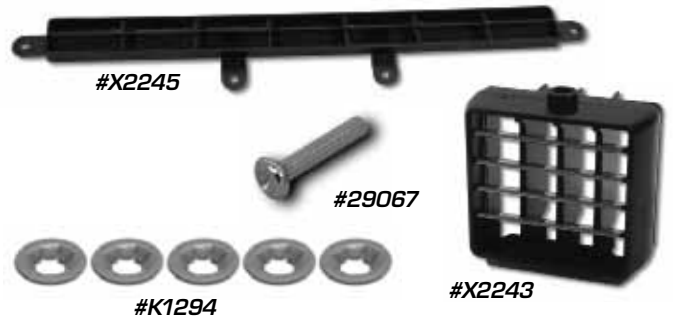
42912	68-71 Clock - Electric - Reproduction	\$176⁹⁹
42913	72-74 Clock - Electric - Reproduction	\$176⁹⁹
2059	75-76 Clock - Electric - Reproduction	\$176⁹⁹
2062	68-82 Clock Knob	\$11⁹⁹
26299	68-82 Quartz Clock Conversion Kit (81-82 Borg Only)	...	\$109⁹⁹
33517	68-71 Quartz Movement Clock	\$149⁹⁹
33518	72-74 Quartz Movement Clock	\$149⁹⁹
33519	75-76 Quartz Movement Clock	\$154⁹⁹
33520	77 Quartz Movement Clock	\$154⁹⁹
33521	78-79 Quartz Movement Clock	\$154⁹⁹
33522	80-81 Quartz Movement Clock	\$154⁹⁹
33523	82 Quartz Movement Clock	\$154⁹⁹

SPEEDO/TACHOMETER ADAPTERS

Eliminates the 90° bend (and the wear it causes) in your speedometer and tachometer cables. Install with ordinary hand tools in about 5 minutes. Special grease fitting allows proper cable lubrication.



X2521	68-82 Speedometer/Tachometer Cable Adapter	\$39⁹⁹
--------------	--	-------	--------------------------



TACH DRIVE GEAR & COUPLER

Permanently lubricated internal needle bearings to reduce heat and friction. Outlasts original design by years! Drive gear included.



1596	68-74 Tach Gear Assembly (Bronze Coupling)	\$79⁹⁹
1595	68-74 Tach Gear Assembly (Stainless Steel Coupling)	\$79⁹⁹

VENTILATION



29067	68-71 Air Vent Outlet Chrome Knob - (72-76 Repl)	\$8⁹⁹
29069	72-77 Air Vent Outlet Black Knobs - 2 pc.	\$10⁹⁹
29074	69-76 Air Vent Outlet Grille - Center - 2 req'd	\$16⁹⁹
29068	77-82 Air Vent Outlet Grille - Center - 2 req'd	\$17⁹⁹
40869	68-82 Air Vent Outlet Grille Foam Seals - 4 pc	\$5⁹⁹
X2243	78-82 Air Vent Outlet Side Deflector	\$23⁹⁹
49290	78-82 Air Vent Outlet Deflector Housing	\$29⁹⁹
X2245	68-77 Defroster Vent Grille - Upper Dash	\$29⁹⁹
51199	78-82 Defroster Vent Grille - Upper Dash	\$34⁹⁹
K1294	68-76 Vent Cable Retainers - 5 pc set	\$2⁹⁹
X35825	68-77 Vent Deflector Ball	\$14⁹⁹
28688	68-77 Vent Deflector Ball Felt Seal - 2 req'd	\$1⁹⁹
51692	68-77 Vent Deflector Ball Housing/Retainer	\$16⁹⁹
X35826	68-77 Vent Deflector Ball & Seal Kit - 6 pc	\$29⁹⁹
33563	68-69 Vent Knobs w/o AC (69 Early - Triangle) - pr	\$29⁹⁹
33564	69-76 Vent Knob w/o AC (69 Late - Spherical) - ea	\$7⁹⁹



Compare & Save with Corvette America!
The industry's Price Leader!



ADDITIONAL DASH ITEMS

25798	68-82 Flasher - Hazard/Alarm System Horn	\$4⁹⁹
50822	68-82 Flasher - Hazard/Turn Signal.....	\$13⁹⁹
25799	68-82 Flasher - Turn Signal - 12V - Replacement	\$8⁹⁹
34648	68-82 Flasher Bracket w/ Screw	\$12⁹⁹
35586	68 Headlight Knob	\$19⁹⁹
23057	69-71 Headlight Knob	\$17⁹⁹
X2460	72-76 Headlight Knob	\$19⁹⁹
43499	78-80 Headlight Knob	\$24⁹⁹
43500	81-82 Headlight Knob	\$24⁹⁹
23058	69-77 Headlight Switch Bezel.....	\$16⁹⁹
29064	68 Headlight Switch Bezel.....	\$18⁹⁹
34787	78-82 Headlight Switch Bezel.....	\$5⁹⁹
29066	68-82 Headlight Switch Nut.....	\$7⁹⁹

1969-1976 SHIFTER CONSOLE PLATES

These exact reproductions come completely assembled with ashtray housing, cover and shift indicator plate. The Automatic Plates feature correct bulb housing and shift seals.

25450	69 Auto w/ AC	25457	70-71 4-Speed w/o AC
25451	69 Auto w/o AC	25458	72-74 Auto w/ AC
25452	69 4-Speed w/ AC	25459	72-74 Auto w/o AC
25453	69 4-Speed w/o AC	40865	75-76 Auto w/ AC
25454	70-71 Auto w/ AC	40866	75-76 Auto w/o AC
25455	70-71 Auto w/o AC	25460	72-76 4-Speed w/ AC
25456	70-71 4-Speed w/ AC	25461	72-76 4-Speed w/o AC
1969-1976 Shifter Console Plates		\$255⁹⁹	
K1114	68-76 Shift Console Plate Screws - 4 pc	\$3⁹⁹	
K1495	68-76 Shift Console Plate Screws - 8 pc - incl. 4 Screws & 4 U-Nuts.....	\$3⁹⁹	



43494	77-82 Dash Lens Housing.....	\$16⁹⁹
43495	77-82 Dash Light Bulb Housing	\$10⁹⁹
43596	68-82 Dash Light Bulb Socket.....	\$3⁹⁹
34218	68-74 Fuse Box Mounting Screws	\$5⁹⁹
40961	78-82 Glove Box Catch.....	\$4⁹⁹
29923	78-82 Glove Box Light Switch.....	\$6⁹⁹
23831	78-82 Glove Box Lock.....	\$24⁹⁹
29077	68 Ignition Switch Indicator.....	\$31⁹⁹
29075	68 Ignition Switch Nut - Correct Black.....	\$23⁹⁹
29076	68 Ignition Switch Nut - Chrome Replacement	\$13⁹⁹
34924	68-82 Lighter Housing Retainer	\$11⁹⁹



1977-1982 SHIFTER CONSOLE PLATES

Our 1977-1982 Shifter Console Plates are pre-cut for all the necessary switches. Just order according to your Corvette's options. Each plate works for both manual and automatic transmission cars. Plates come with the slot for an automatic indicator. If you have a manual, the shift indicator plate (sold separately) covers the slot. 1980 Early design has a 1" square opening for the rear defroster switch. On the 1980 late design, this opening is 1"x 2".

1845	77-79 w/ Manual Window & w/o Rear Defroster	\$49⁹⁹
X2153	77-82 w/ Power Window & w/o Rear Defroster.....	\$49⁹⁹
X2149	77-80 w/ PW & Rear Defroster (80 Early).....	\$49⁹⁹
X2150	80-82 w/ PW & Rear Defroster (80 Late)	\$49⁹⁹
X2151	81-82 w/ PW, PM, & Rear Defroster	\$49⁹⁹
X2152	81-82 w/ PW & PM	\$49⁹⁹



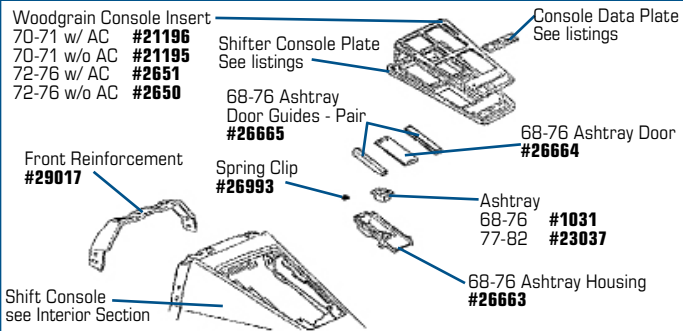
29073	68-77 Trip Odometer Reset Cable	\$62⁹⁹
42285	68-77 Trip Odometer Reset Knob	\$2⁹⁹



29070	68-72 Wiper Switch Knob.....	\$5⁹⁹
29071	73-77 Wiper Switch Knob.....	\$5⁹⁹
29072	78-82 Wiper Switch Knob - w/ Delay Arrow.....	\$9⁹⁹
2155	73-76 Wiper Switch Console Bezel - w/o AC.....	\$76⁹⁹

43470	82 Shift Console Plate - Collector Edition w/ PW	\$89⁹⁹
43471	82 Shift Console Plate - Collector Edition w/ PW & RR Def.....	\$99⁹⁹
43472	82 Shift Console Plate - Collector Edition w/ PW, RR Def, PM	\$99⁹⁹
43473	82 Shift Console Plate - Collector Edition w/ PW & PM	\$99⁹⁹

1968-1976 CONSOLE



- 22550** 68-69 Shift Boot - Rubber - Manual **\$35⁹⁹**
- X2546** 68-76 Shift Boot - Black Leather - Manual **\$19⁹⁹**
- X2552** 68-81 Shifter Lower Seal - Manual **\$29⁹⁹**
- X2547** 77-81 Shift Boot - Black Leather **\$19⁹⁹**
- 29017** 68-76 Shift Console Reinforcement - Front **\$21⁹⁹**



- 1031** 68-76 Ashtray **\$9⁹⁹**
- 23037** 77-82 Ashtray **\$13⁹⁹**
- 26664** 68-76 Ashtray Door - Unpainted **\$23⁹⁹**
- 29026** 77-82 Ashtray Door - Unpainted **\$35⁹⁹**
- 43538** 82 Ashtray Door - Collector's Edition **\$72⁹⁹**
- 26665** 68-76 Ashtray Door Guides - pr **\$8⁹⁹**
- 26993** 68-76 Ashtray Door Spring Clip **\$6⁹⁹**
- 26663** 68-76 Ashtray Housing **\$34⁹⁹**
- 45019** 77-82 Ashtray Rivets - 2 req'd **\$1⁹⁹**
- 29032** 77-79 Heater/AC Control Face Plate **\$17⁹⁹**



- 26666** 69-71 Shift Indicator Lens - Green **\$14⁹⁹**
- 2150** 72-76 Shift Indicator Lens - Blue **\$14⁹⁹**
- X2011** 77-81 Shift Indicator Lens - Automatic **\$9⁹⁹**
- 40868** 82 Shift Indicator Lens - Automatic **\$26⁹⁹**
- 26668** 68-69 Shift Indicator Plate - Automatic (69 early) **\$16⁹⁹**
- 2237** 68-76 Shift Indicator Plate - 4 spd **\$18⁹⁹**
- X2469** 77-81 Shift Indicator Plate - 4 spd **\$15⁹⁹**
- 36379** 77-82 Shift Indicator Pointer - Auto **\$6⁹⁹**
- 26688** 68-76 Shift Slide Seals - Auto - Upper & Lower **\$10⁹⁹**



- 29031** 80-82 Heater/AC Control Face Plate **\$18⁹⁹**
- X2007** 78-82 Heater/AC Control Lens **\$9⁹⁹**
- 51044** 77-82 Heater/AC Control Light Socket **\$2⁹⁹**



- 33561** 68-82 Lighter **\$11⁹⁹**
- 32404** 68-82 Lighter Bulb Shade **\$13⁹⁹**
- 33003** 68-82 Lighter Housing in Console - Female - 76-82 Replacement **\$8⁹⁹**



- X2552** 68-81 Shifter Lower Seal - Manual **\$29⁹⁹**
- 21196** 70-71 Woodgrain Console Insert w/ AC **\$24⁹⁹**
- 21195** 70-71 Woodgrain Console Insert w/o AC **\$24⁹⁹**
- 2651** 72-76 Woodgrain Console Insert w/ AC **\$24⁹⁹**
- 2650** 72-76 Woodgrain Console Insert w/o AC **\$24⁹⁹**

FORWARD CONSOLE REPAIR KIT

Our Console Repair Kit contains the plates and screws you need to save your cracked or broken console.

- 43242** 68-76 Forward Console Repair Kit **\$39⁹⁹**





HEATER/AC FACEPLATE KITS

33852 68 w/o AC	33856 72-75 w/o AC
33853 68 w/ AC	33857 72-75 w/ AC
33854 69-71 w/o AC	33858 76 w/ AC
33855 69-71 w/ AC	
68-76 Heater/AC Faceplate Kit..... \$77⁹⁹	

41935 77-79 Heater/AC Control Assembly.....	\$136⁹⁹
41934 80-82 Heater/AC Control Assembly.....	\$134⁹⁹



CONSOLE DATAPLATES

2471 69-70 350/300hp	2481 71 454/425hp
2474 69-70 350/350hp	2482 72 350 CI
2476 70 350/370hp	2483 72 LT1
2472 69 427/390hp	2484 72 454 CI
2473 69 427/400hp	2485 73-74 L48
2475 69 427/435hp	2486 73 L82
2477 70 454/390hp	2487 73-74 454 CI
2478 71 350/270hp	2488 74 L82
2479 71 350/330hp	2489 75-76 L48
2480 71 454/365hp	2490 75-76 L82

69-76 Console Dataplate..... **\$12⁹⁹**

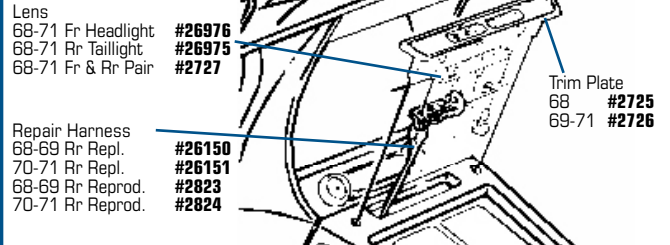
40870 69 Console Dataplate - 427/ZL1.....	\$19⁹⁹
40871 69 Console Dataplate - 427/L88.....	\$19⁹⁹
40872 68-76 Console Dataplate - Blank.....	\$19⁹⁹

CLIMATE CONTROL LENSES

23012 68 w/ AC.....	\$17⁹⁹
23014 69-71 w/ AC.....	\$17⁹⁹
23016 72-75 w/ AC.....	\$17⁹⁹
36702 76 w/ AC.....	\$18⁹⁹
23013 68 w/o AC.....	\$17⁹⁹
23015 69-71 w/o AC.....	\$17⁹⁹
23017 72-75 w/o AC.....	\$17⁹⁹



FIBER OPTICS



FIBER OPTICS

26976 68-71 Console Lens - Front Headlight.....	\$12⁹⁹
26975 68-71 Console Lens - Rear Taillight.....	\$10⁹⁹
2727 68-71 Console Lenses - Front & Rear - pr.....	\$22⁹⁹
2725 68 Console Trim Plate.....	\$31⁹⁹
2726 69-71 Console Trim Plate.....	\$29⁹⁹
26154 68-71 Fiber Optic Dust Boot & Ferrule - Front.....	\$13⁹⁹
26155 68-71 Fiber Optic Dust Boot & Ferrule - Rear.....	\$13⁹⁹
42516 68-71 Fiber Optics Sensor - Clear.....	\$5⁹⁹
42517 68-71 Fiber Optics Sensor - Red.....	\$5⁹⁹
41689 68-71 Fiber Optics Sensor Grommet.....	\$5⁹⁹
29342 68-71 Repair Harness - Front.....	\$195⁹⁹
2823 68-69 Repair Harness - Rear - Reproduction.....	\$152⁹⁹
2824 70-71 Repair Harness - Rear - Reproduction.....	\$152⁹⁹

SEE FIREWALL SPLASH SHIELDS IN FRAME & BODY SECTION.

DECALS



AIR CLEANER - ENGINE SIZE/HP

0298 68 327/300hp	0307 68-69 427/390hp - pr
0299 68 327/350hp	0308 68-69 427/400hp
0303 71 350/270hp	0309 68-69 427/435hp
0300 69-70 350/300hp	0313 71 454/365hp
0304 71 350/330hp	0311 70 454/390hp - pr
0301 69-70 350/350hp	0312 71 454/425hp
0302 70 350/370hp	0310 70 454/460hp - pr

68-71 Air Cleaner Decal - Engine Size/hp..... **\$4⁹⁹**



AIR CLEANER - KEEP YOUR GM ALL GM

0314 71-72	0318 75	0322 79
0315 72	0319 76	0323 80
0316 73	0320 77	36383 81
0317 74	0321 78	36384 82

71-81 Air Cleaner Decal - Keep Your GM Car/Vehicle \$4⁹⁹
 82 Air Cleaner Decal - Keep Your GM Car/Vehicle \$5⁹⁹



AC FOIL PLATE

0329 68	0333 72	0337 76	36388 81
0330 69	0334 73	36385 78	36389 82
0331 70	0335 74	36386 79	
0332 71	0336 75	36387 80	

68-76 A/C Foil Plate Decal \$4⁹⁹
 78-79 A/C Foil Plate Decal \$6⁹⁹
 80-82 A/C Foil Plate Decal \$6⁹⁹

AC COMPRESSOR

36390 68 Frigidaire	36396 76 Frigidaire
36391 69 Frigidaire	36398 77-78 Delco
36392 70-71 Frigidaire	36399 79 Delco
36394 73 Frigidaire	36400 80 Delco
36395 74-75 Frigidaire	

68-76 A/C Compressor Decal \$4⁹⁹
 77-80 A/C Compressor Decal \$6⁹⁹

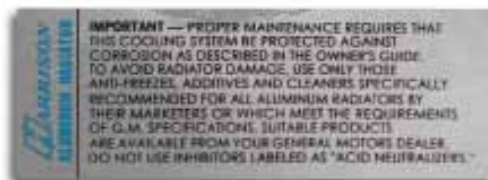


EMISSION DATA

0198 68 300, 390 & 400hp - Auto	0251 70 350hp
0201 68 300hp - Manual	0254 70 370hp - LT-1
0202 68 350hp	0258 70 454/390hp
0203 68 390hp - Manual	0259 71 On Vapor Canister
0213 68 400 & 435hp - Manual	36402 71 350/270hp
0220 68 400hp - L88	36403 71 350/330hp LT1
0221 69 300, 350hp	36404 71 454/365hp
0237 69 390, 400hp	36405 71 454/425hp
0239 69 435hp - L88	36406 72 350 Base Engine
0250 70 300hp	36407 72 350 LT1
	36408 72 454
	36409 73 L48 Federal

36410 73 L82	36427 78 L82
36411 73 454 Federal	36428 78 L48 California
36412 74 L48 Base	36429 79 L48 w/o A. I. R.
36413 74 L82	36430 79 L82
36414 74 454	36431 79 L48 Hi Alt
36415 75 L48	36432 79 L48 California
36416 75 L82	36433 79 L48
36418 76 L48 2nd Design - Later than 2/76	36434 80 350 L48 Auto
36419 76 L82	36435 80 350 L82 Auto
36420 76 L48 California	36436 80 350 L48 Manual
36421 77 L48	36438 80 305 California
36422 77 L82	36439 81 Auto Trans
36423 77 L48 California	36440 81 Manual Trans
36424 77 L48 Hi Alt	36441 81 Auto - California
36425 78 L48	36442 81 Manual - California
36426 78 L48 Hi Alt	36443 82 Auto Trans
	36444 82 Auto - California

68-78 Emission Data Decal \$4⁹⁹
 79-82 Emission Data Decal \$10⁹⁹



#0352

MISCELLANEOUS DECALS

0514 76-78 Aluminum Wheel Instructions	\$5 ⁹⁹
0799 68-76 AM/FM Stereo Instruction Sheet	\$4 ⁹⁹
0181 76-78 Catalytic Converter	\$4 ⁹⁹
0401 75-77 Certification Label - 75L - Incl. Mylar Overlay	\$24 ⁹⁹
0664 74-78 Coolant Warning	\$4 ⁹⁹
0669 78-81 Coolant Warning	\$4 ⁹⁹
0740 77 Cruise Control Instructions	\$4 ⁹⁹
0516 68 Emissions Data Pamphlet	\$4 ⁹⁹
0399 74-75 Engine Start Instructions	\$4 ⁹⁹
0793 68-69 FM Radio Antenna Card	\$4 ⁹⁹
0667 79-80 Fan Caution	\$4 ⁹⁹
36452 81-82 Fan Shroud Caution Decal	\$4 ⁹⁹
36453 68-75 Front Coil Spring Labels - HD Susp - "EA"- pr	\$3 ⁹⁹
36454 68-72 Front Coil Spring Labels - Std. Susp - "HS"- pr	\$3 ⁹⁹
36455 68-74 Front Coil Spring Labels - 327/350 w/ AC exc HD Susp - "HT"- pr	\$3 ⁹⁹
36456 68-72 Front Coil Spring Labels - 427/454 Std Susp - "HU"- pr	\$3 ⁹⁹
36457 68-74 Front Coil Spring Labels - 427/454 w/ AC "HV"- pr	\$3 ⁹⁹
36458 68-72 Front Sway Bar Tag - 327/350 Standard	\$1 ⁹⁹
0513 73-74 Fuel Recommendations	\$4 ⁹⁹
0340 75-77 Fuel Warning - Black	\$4 ⁹⁹
0341 75-77 Fuel Warning - White	\$4 ⁹⁹
36448 78-82 Fuel Warning - Silver	\$4 ⁹⁹
0352 68-72 Harrison Radiator Foil Label	\$4 ⁹⁹
0800 69-70 Headlamp Washer Instructions Tag	\$4 ⁹⁹
0515 68 Headlights Override Control Card	\$4 ⁹⁹



#0367



#0395



1968-1969 VALVE COVER ENGINE CODE DECALS

These are the two-letter codes placed on the rear of the RH Valve Cover to indicate horsepower/transmission combination.

- 36474** 68 "HE" - 300 HP Manual
- 36475** 68 "HO" - 300 HP Auto
- 36476** 68 "HT" - L79 350 HP - 4 spd
- 36477** 68 "HP" - L79 350 HP - 4 spd w/ AC & PS
- 36478** 68 "IL" - L36 390 HP - 4 spd
- 36479** 68 "IQ" - L36 390 HP - Auto
- 36480** 68 "IU" - L89 435 HP - 4 spd w/ Aluminum Heads
- 36481** 68 "IT" - L88 430 HP - HD w/ M22
- 36482** 68 "IM" - L68 400 HP - 4 spd
- 36483** 68 "IO" - L68 400 HP - Auto
- 36484** 68 "IR" - L71 435 HP - 4 spd
- 36485** 69 "HY" - 300 HP - Manual
- 36486** 69 "HZ" - 300 HP - Auto
- 36487** 69 "HW" - L46 - 350 HP - 4 spd
- 36488** 69 "HX" - L46 - 350 HP - 4 spd w/ AC
- 36489** 69 "LM" - L36 - 390 HP - 4 spd
- 36490** 69 "LL" - L36 - 390 HP - Auto
- 36491** 69 "LQ" - L68 - 400 HP - 4 spd
- 36492** 69 "LN" - L68 - 400 HP - Auto
- 36493** 69 "LO" - L88 - 430 HP - HD w/ M22
- 36494** 69 "LR" - L71 - 435 HP - 4 spd
- 36495** 69 "LX" - L71 - 435 HP - Auto
- 36496** 69 "LP" - L89 - 435 HP - 4 spd - w/ Aluminum Heads
- 36497** 69 "LW" - L89 - 435 HP - Auto w/ Aluminum Heads
- 36498** 69 "LT" - L71 - 435 HP - 4 spd w/ HD Clutch
- 36499** 69 "MH" - L36 - 390 HP - 4 spd w/ TI
- 36500** 69 "MI" - L36 - 390 HP - Auto w/ TI
- 36501** 69 "MJ" - L68 - 400 HP - Auto w/ TI
- 68-69 Valve Cover Engine Code Decal **\$1⁹⁹**

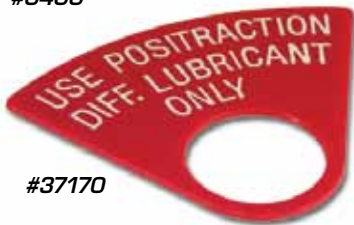


#0400



#43423

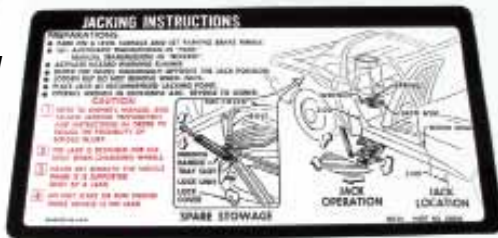
SEE MORE HOOD DECALS IN THE "HOOD" SECTION.



#37170



#0396



#0361

- 43423** 70 Hood Decal - LT1 - Black/Silver **\$10⁹⁹**
- 0636** 69-82 Idle Caution **\$5⁹⁹**
- 0354** 68-72 Inspection Numbers - Expansion Tank & Top LH Radiator - pr **\$2⁹⁹**
- 0360** 68-72 Jacking Instruction **\$4⁹⁹**
- 0361** 73-74 Jacking Instruction **\$4⁹⁹**
- 0362** 75-78 Jacking Instruction **\$4⁹⁹**
- 36473** 79-81 Jacking Instructions - 2 pc set **\$6⁹⁹**
- 37046** 68 Key Envelope **\$5⁹⁹**
- 0403** 69-76 Key Envelope **\$4⁹⁹**
- 36472** 68-71 M22 Transmission Lubricant Tag **\$5⁹⁹**
- 1628** 71-72 Maintenance Label **\$4⁹⁹**
- 36445** 68-82 Master Cylinder Bail Label - Power Brake **\$5⁹⁹**
- 36446** 68-72 Master Cylinder Bail Label - Manual Brake **\$2⁹⁹**
- 0402** 74-76 Notice Label - Rt Sunvisor **\$3⁹⁹**
- 0182** 68-69 Octane Warning Decal - L88 **\$4⁹⁹**
- 36447** 68-72 PCV Tag "736C" - 427/454 - exc HD **\$2⁹⁹**
- 37170** 68-69 Positraction Tag **\$8⁹⁹**
- 0367** 68-71 Positraction Decal **\$4⁹⁹**
- 37169** 70-79 Positraction Decal - Red **\$9⁹⁹**
- 0368** 72-73 Positraction Decal **\$4⁹⁹**
- 0666** 73 Radiator Caution Decal **\$4⁹⁹**
- 0608** 69 Start Procedure & Interlock Instructions **\$5⁹⁹**
- 0738** 69 Steering Column - Interlock Caution **\$4⁹⁹**
- 0348** 68-72 Tire Pressure Decal **\$4⁹⁹**
- 0378** 73-75 Tire Pressure Decal - Door **\$4⁹⁹**
- 0400** 75-77 Tire Pressure Decal - Door - 75L **\$2⁹⁹**
- 0379** 76-77 Tire Pressure Decal - Door **\$4⁹⁹**
- 0767** 68-72 Transistor Ignition Decals - pr **\$7⁹⁹**
- 0350** 68-72 Trim Ring Card **\$4⁹⁹**
- 0396** 69-82 Valve Cover Decal - Crossed Flags **\$8⁹⁹**
- 0395** 68-70 Valve Cover Decal - Tonawanda #1 **\$4⁹⁹**



SHOCK LABELS

- 36459** 68 HD Susp
- 36460** 68-69 Std Susp
- 36451** 69 Std Susp
- 36461** 69 HD Susp
- 36462** 70-71 Std Susp
- 36463** 70-71 HD Susp
- 36464** 72 Std Susp
- 36465** 72-74 HD Susp
- 36466** 73-74 Std Susp
- 36467** 75 Std Susp
- 36468** 75 HD Susp
- 36469** 76-78 Std Susp
- 36470** 76-77 HD Susp
- 36471** 78 HD Susp
- 68-78 Shock Labels - Set of 4 **\$7⁹⁹**



#36503



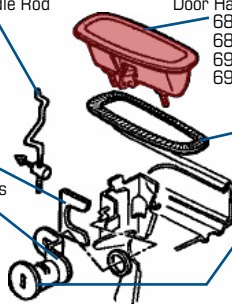
#36508

WINDSHIELD WIPER MOTOR LABELS

- 36502** 69
- 36503** 70
- 36504** 71-72
- 36505** 73
- 36506** 74-75
- 36507** 76-78
- 36508** 79-82
- 69-82 Windshield Wiper Motor Label **\$1⁹⁹**

1968-1982 DOOR HANDLE

69-82 Door Handle Rod LH #29094 RH #29095	Door Handle Assemblies 68 Corvette America #X2094 LH #2094 68 Trim Parts #2124 RH #2125 69-82 Import #X2032 LH #2032 69-82 Trim Parts #33060 RH #33061
Retainer Clip #33591	Door Handle Gaskets - pair #29092
Lock Retainer #29740	Door Locks - pair 69-80 #23813 78-82 Electric #23814 78-82 Elec/Man #32669
Door Lock Pawls LH #33592 RH #37765	Gaskets - pair #29093
Retaining Clips #32795	

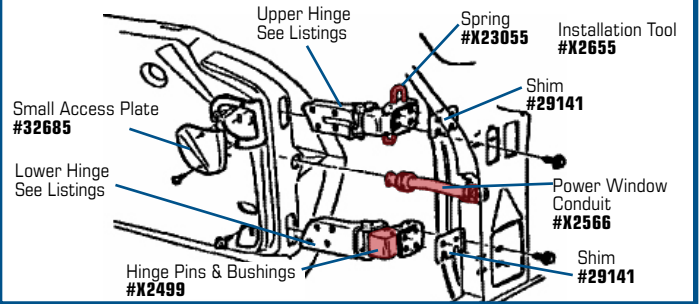



X2094	68 Door Handle - LH - Corvette America	\$49 ⁹⁹
X2095	68 Door Handle - RH - Corvette America	\$49 ⁹⁹
2124	68 Door Handle - LH - Trim Parts	\$86 ⁹⁹
2125	68 Door Handle - RH - Trim Parts	\$86 ⁹⁹
X2032	69-82 Door Handle - LH - Imported	\$27 ⁹⁹
X2033	69-82 Door Handle - RH - Imported	\$27 ⁹⁹
33060	69-82 Door Handle - LH - Trim Parts	\$73 ⁹⁹
33061	69-82 Door Handle - RH - Trim Parts	\$73 ⁹⁹
29092	68-82 Door Handle Gaskets - pr	\$1 ⁹⁹
29094	69-82 Door Handle Rod (Handle-to-Mechanism) - LH	\$14 ⁹⁹
29095	69-82 Door Handle Rod (Handle-to-Mechanism) - RH	\$14 ⁹⁹
K1226	68-82 Door Handle Rod Pivot Pin Retainers - pr	\$1 ⁹⁹
33591	69-81 Door Handle Rod Retaining Clip	\$1 ⁹⁹
29094	69-82 Door Handle Rod (Handle-to-Mechanism) - LH	\$14 ⁹⁹
29095	69-82 Door Handle Rod (Handle-to-Mechanism) - RH	\$14 ⁹⁹
K1226	68-82 Door Handle Rod Pivot Pin Retainers - pr	\$1 ⁹⁹
33591	69-81 Door Handle Rod Retaining Clip	\$1 ⁹⁹



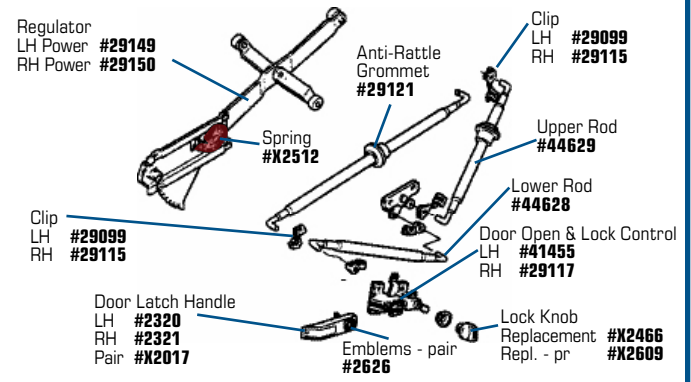
2653	69-82 Door Handle Spring - Original	\$8 ⁹⁹
42515	69-82 Door Handle Spring - Replacement	\$7 ⁹⁹
40887	70-72 Door Jamb Alarm Switch Bumpers - pr	\$4 ⁹⁹
23813	69-80 Door Locks - pr	\$28 ⁹⁹
23814	78-82 Door Locks - Electric - pr	\$38 ⁹⁹
32669	78-82 Door Locks - LH Electric - RH Manual - pr	\$43 ⁹⁹
34544	68 Door Lock Bezel	\$30 ⁹⁹
29093	69-82 Door Lock Cylinder Gasket	\$2 ⁹⁹
40877	68 Door Lock Cylinder Rod - LH	\$9 ⁹⁹
40878	68 Door Lock Cylinder Rod - RH	\$9 ⁹⁹
33592	69-82 Door Lock Pawl - LH	\$3 ⁹⁹
37765	69-82 Door Lock Pawl - RH	\$3 ⁹⁹
32795	69-82 Door Lock Pawl Retaining Clips - pr	\$1 ⁹⁹
29740	68-82 Door/Anti-Theft Lock Retainer	\$2 ⁹⁹
40879	81-82 Door Lock Anti-Theft Switch	\$48 ⁹⁹

1968-1982 DOOR HINGE



32685	68-82 Door Access Plate - Small - pr	\$21 ⁹⁹
K1158	68-82 Door Access Plate Screws - 16 pc	\$4 ⁹⁹
29139	68-82 Door Access Plate Gasket - 4 pc	\$17 ⁹⁹
32684	68-82 Door Access Plate Strip Caulk Set	\$5 ⁹⁹
29098	68 Door Hinge - Lower LH - Reconditioned	\$123 ⁹⁹
29200	68 Door Hinge - Lower RH - Reconditioned	\$123 ⁹⁹
29097	68-69 Door Hinge - Upper LH - Reconditioned - 69E	\$129 ⁹⁹
29138	68-82 Door Hinge - Lower LH	\$87 ⁹⁹
29143	68-82 Door Hinge - Lower LH - Reconditioned	\$89 ⁹⁹
29178	69-82 Door Hinge - Lower RH - Reconditioned	\$89 ⁹⁹
29136	68-82 Door Hinge - Upper LH - includes Spring	\$112 ⁹⁹
29137	68-82 Door Hinge - Upper RH	\$112 ⁹⁹
29142	69-82 Door Hinge - Upper LH - Reconditioned	\$99 ⁹⁹
29201	68-69 Door Hinge - Upper RH - 69E - Reconditioned	\$129 ⁹⁹
29179	69-82 Door Hinge - Upper RH - Reconditioned	\$99 ⁹⁹
29144	68-82 Door Hinge Bolts - 16 pc	\$17 ⁹⁹
X2499	68-82 Door Hinge Pin/Bushing Set (4 Pins; 8 Bush.)	\$14 ⁹⁹
29141	68-82 Door Hinge Shim	\$3 ⁹⁹
X23055	68-82 Door Hinge Spring	\$9 ⁹⁹
X2655	68-82 Door Hinge Spring Tool	\$12 ⁹⁹

1968-1982 INNER DOOR MECHANISM



X2024	69-82 Door Glass Anti-Rattle Cushion - ea	\$9 ⁹⁹
X2026	69-82 Door Glass Anti-Rattle Cushions - 4 pc set	\$32 ⁹⁹
2320	68-77 Door Latch Handle - w/ Emblem - LH	\$135 ⁹⁹
2321	68-77 Door Latch Handle - w/ Emblem - RH	\$141 ⁹⁹
X2017	68-77 Door Latch Handles - w/o Emblems - pr	\$39 ⁹⁹
2626	68-77 Door Latch Handle Emblems - pr	\$9 ⁹⁹
K1115	68-77 Door Latch Handle Screws - 4 pc set	\$2 ⁹⁹
44628	68-77 Door Lock Control Rod - Lower	\$22 ⁹⁹
44629	68-77 Door Lock Control Rod - Upper	\$22 ⁹⁹
41455	68-77 Door Opening Control - LH	\$64 ⁹⁹

#X2466



#29117

- X2466** 68-77 Door Lock Knob - Import Reproduction \$11⁹⁹
- X2609** 68-77 Door Lock Knobs - Import Reproduction - pr \$18⁹⁹
- 0718** 68-79 Door Lock Knob Retaining Clip \$0⁹⁹
- 29117** 68-77 Door Opening Control - RH \$64⁹⁹
- 29096** 68-77 Door Opening Control Rod - 23" Long \$24⁹⁹
- 29118** 68-77 Inside Door Control Rod Clip - 10 pc \$6⁹⁹
- K1010** 69-77 Door Pull Handle Screws - 4 pc set \$1⁹⁹
- 29121** 68-77 Door Rod Anti-Rattle Grommet \$3⁹⁹
- 40881** 78-82 Door Rod Anti-Rattle Grommet \$4⁹⁹
- 40880** 68-82 Door Rod Elbow - Adjustable \$7⁹⁹
- 29099** 68-82 Door Rod Retaining Clip - LH \$2⁹⁹
- 29115** 68-82 Door Rod Retaining Clip - RH \$2⁹⁹



POWER WINDOW MOTORS

- 29804** 68-76 Power Window Motor - LH - 76E - Correct (flat style) - includes gear and bracket \$109⁹⁹
- 29805** 68-76 Power Window Motor - RH - 76E - Correct (flat style) - includes gear and bracket \$109⁹⁹
- 29806** 76-82 Power Window Motor - LH - 76L - Correct (flat style) - includes gear and bracket \$109⁹⁹
- 29807** 76-82 Power Window Motor - RH - 76L - Correct (flat style) - includes gear and bracket \$109⁹⁹
- 29177** 68-75 Power Window Motor Adapter Harness \$14⁹⁹

#X2599



#X2512



#X2566



#36517



#49534

- 36517** 68-82 Power Window Motor Gear - Inside Motor \$36⁹⁹
- 46792** 68-82 Power Window Motor Mount Plate \$9⁹⁹
- 49534** 68-82 Power Window Motor Mount Plate Bushing \$10⁹⁹
- K1436** 68-82 Power Window Motor Screws - 6 pc set \$4⁹⁹
- 29157** 68-82 Power Window Plugs, Front of Door - pr \$2⁹⁹
- 29149** 68-82 Power Window Regulator (Less Motor) - LH \$189⁹⁹
- 29150** 68-82 Power Window Regulator (Less Motor) - RH \$189⁹⁹
- 49537** 68-82 Power Window Regulator Rebuild Kit - (does one regulator) \$59⁹⁹
- X2599** 68-82 Power Window Regulator Gear - Stainless Steel... \$24⁹⁹
- X2513** 68-82 Power Window Regulator Gear Repair Kit \$19⁹⁹
- 36518** 68-82 Power Window Regulator Mount Bracket - LH \$18⁹⁹
- 36519** 68-82 Power Window Regulator Mount Bracket - RH \$18⁹⁹
- X2514** 68-82 Power Window Regulator Rivet \$8⁹⁹

- 49538** 68-82 Power Window Regulator Small Rivet \$0⁹⁹
- 49539** 68-82 Power Window Regulator Catch Rivet \$6⁹⁹
- X2512** 68-82 Power Window Regulator Spring \$29⁹⁹
- X2566** 68-81 Power Window Wire Conduit - 81 Early style w/ Round type Grommet - 2 req'd \$13⁹⁹



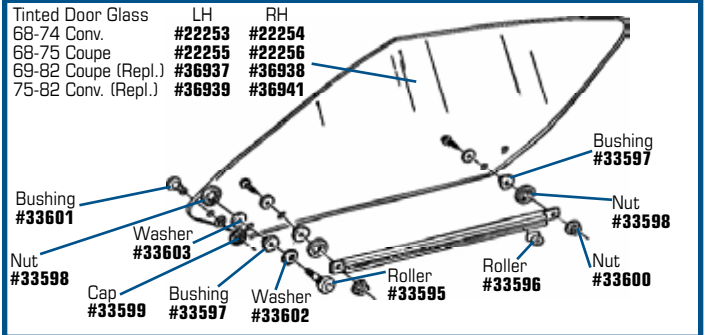
#43552

#43513

#33604 6-pc set

- 43552** 68-79 Window Crank - Clear \$9⁹⁹
- 33645** 68-79 Window Regulator Gear - Manual \$29⁹⁹
- 43513** 68-80 Window Crank Shaft - Non Power \$11⁹⁹
- 33647** 68-79 Window Crank Shaft, Washer, Bushing Kit \$17⁹⁹
- 33590** 68-82 Rear Window Regulator Roller - ea \$5⁹⁹
- 33604** 68-82 Window Regulator Roller Set - 6 pc \$29⁹⁹

1968-1982 DOOR GLASS

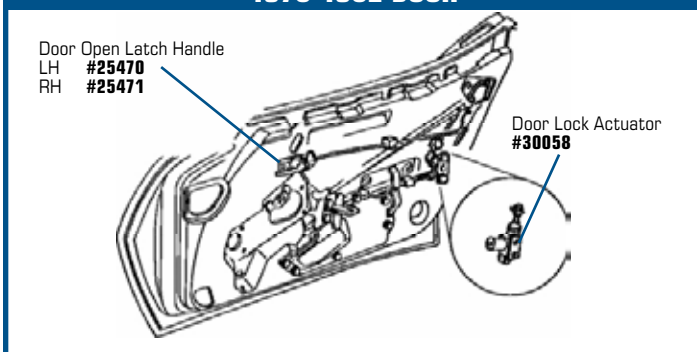


- 42578** 69-82 Door Felts Coupe Outer Reproduction - pr \$69⁹⁹
- 42579** 69-75 Door Felts Convertible Outer Reproduction - pr \$69⁹⁹
- 22253** 68-74 Door Glass - Tinted - Convertible - LH \$269⁹⁹
- 22254** 68-74 Door Glass - Tinted - Convertible - RH \$269⁹⁹
- 22255** 68-75 Door Glass - Tinted - Coupe - LH \$296⁹⁹
- 22256** 68-75 Door Glass - Tinted - Coupe - RH \$296⁹⁹
- 36937** 69-82 Door Glass - Tinted - Coupe - LH - Replacement \$159⁹⁹
- 36938** 69-82 Door Glass - Tinted - Coupe - RH - Replacement \$159⁹⁹
- 36939** 75-82 Door Glass - Tinted - Conv. - LH - Replacement \$159⁹⁹
- 36941** 75-82 Door Glass - Tinted - Conv. - RH - Replacement \$159⁹⁹
- 33601** 68-82 Door Glass Bushing \$6⁹⁹
- 33599** 68-82 Door Glass Bushing Cap \$4⁹⁹
- 33600** 69-82 Door Glass Channel or Guide Roller Round Nut \$0⁹⁹
- 33602** 68-82 Door Glass Channel Washer \$6⁹⁹
- 33597** 68-82 Door Glass Lift Channel Bushing - 6 req'd \$2⁹⁹
- 43434** 78-82 Door Glass Lift Channel Washer \$4⁹⁹
- 40888** 69-72 Door Glass Rear Wedges - pr \$22⁹⁹
- 33605** 69-82 Door Glass Front Roller & Mount Kit \$24⁹⁹
- 33595** 68-82 Door Glass Roller Bearing \$16⁹⁹
- 33603** 68-77 Door Glass Rubber Washer - 3 req'd - pr \$2⁹⁹
- 33596** 68-82 Door Glass Track Roller & Slider Assy - 2 req'd \$19⁹⁹
- 43445** 68-77 Door Glass Track Repair Kit - Includes 1 Track Roller, 1 Roller Bearing, 1 Bushing Cap, 1 Bushing and 3 Lift Channel Bushings \$49⁹⁹

DOOR (continued)

- 43446** 78-82 Door Glass Track Repair Kit - Includes 1 Roller Bearing, 1 Glass Bushing Cap, 1 Glass Bushing, 3 Glass Channel Bushings, 1 Lift Channel Washer and 1 Roller Washer **\$64⁹⁹**
- 33598** 68-82 Door Window Glass Nut..... **\$3⁹⁹**
- 40430** 68 Door Window Glass Seal Set - 6 pc - Includes Upper Metal Supports, Whiskers and Rubber Seals for both sides. **\$209⁹⁹**
- 43435** 78-82 Door Window Guide Roller Washer **\$1⁹⁹**
- 33049** 78-82 Door Window Stop Bumpers **\$7⁹⁹**

1978-1982 DOOR



- 0718** 68-79 Door Lock Knob Retaining Clip **\$0⁹⁹**
- 34836** 78-82 Door Lock Knob..... **\$6⁹⁹**
- 25470** 78-82 Door Open Latch Handle - LH **\$12⁹⁹**
- 25471** 78-82 Door Open Latch Handle - RH..... **\$12⁹⁹**
- 30058** 78-82 Power Door Lock Actuator **\$39⁹⁹**
- 44804** 78-82 Power Door Lock Actuator Rod - LH..... **\$26⁹⁹**
- 44805** 78-82 Power Door Lock Actuator Rod - RH **\$26⁹⁹**
- 42518** 78-82 Power Door Lock Switch - Replacement..... **\$14⁹⁹**
- 40150** 78-82 Power Door Lock Switch Repair Pigtail - LH **\$18⁹⁹**
- 40151** 78-82 Power Door Lock Switch Repair Pigtail - RH..... **\$18⁹⁹**



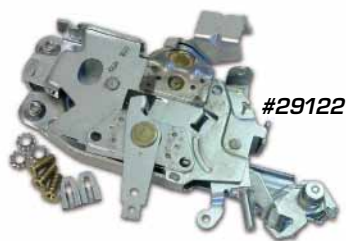
AcoustiSHIELD™

1968-1982

ACOUSTISHIELD DOOR NOISE DAMPENING KIT

AcoustiShield's Door Noise Dampening Kit eliminates noise and vibration from your Vette's outer door skin. Includes six (6) self-adhesive 2" X 24" Dynamat Damper strips and illustrated instructions.

- 51977** 68-82 AcoustiShield Door Noise Dampening Kit **\$59⁹⁹**



ADDITIONAL DOOR HARDWARE

- 26667** 68 Door Alignment Block Set - Convertible..... **\$48⁹⁹**
- 22563** 70-75 Door Guide Conversion - LH
Allows use of coupe doors on convertibles **\$18⁹⁹**
- 22564** 70-75 Door Guide Conversion - RH
Allows use of coupe doors on convertibles **\$18⁹⁹**
- 22560** 70-75 Door Guide - Convertible - LH **\$54⁹⁹**
- 22561** 70-75 Door Guide - Convertible - RH..... **\$59⁹⁹**
- 29166** 70-75 Door Guide Seal - Convertible **\$6⁹⁹**
- 22562** 70-75 Door Guide Receiver Assembly - Convertible **\$87⁹⁹**
- 29122** 69-77 Latch Assembly - LH - Inside Door **\$129⁹⁹**
- 29123** 69-77 Latch Assembly - RH - Inside Door..... **\$129⁹⁹**
- 29134** 78-82 Latch Assembly - LH - Inside Door **\$129⁹⁹**
- 29135** 78-82 Latch Assembly - RH - Inside Door..... **\$129⁹⁹**
- 33606** 68-82 Door Latch Striker Pin on Body **\$10⁹⁹**
- K1145** 69-82 Door Window Outer
Trim Molding Screws - 6 pc set **\$2⁹⁹**
- 45018** 78-79 Water Diverter **\$27⁹⁹**

EMBLEMS



NUMERAL EMBLEMS

Each number has an adhesive backing and can be placed anywhere you want to show engine size, horsepower, options, whatever!

- | | |
|--|--|
| 43345 Number 0 \$17⁹⁹ | 43349 Number 5 \$17⁹⁹ |
| 43346 Number 2 \$17⁹⁹ | 43350 Number 6 \$17⁹⁹ |
| 43347 Number 3 \$17⁹⁹ | 43351 Number 7 \$17⁹⁹ |
| 43348 Number 4 \$17⁹⁹ | 43353 Number 9 \$17⁹⁹ |



FRONT FENDER EMBLEMS

- 32612** 69-73 Front Fender Emblem - Stingray - Trim Parts **\$46⁹⁹**
- 32613** 74-76 Front Fender Emblem - Stingray - Trim Parts **\$46⁹⁹**
- 2116** 77-79 Front Fender Emblem - Crossed Flags..... **\$121⁹⁹**
- 2117** 80 Front Fender Emblem - L82 **\$39⁹⁹**
- 26589** 82 Front Fender Emblem - Crossfire..... **\$54⁹⁹**

GAS LID EMBLEMS

A. 26660	68	Gas Lid Emblem Crossed Flags.....	\$67⁹⁹
A. 2097	69-73	Gas Lid Emblem Crossed Flags Trim Parts.....	\$41⁹⁹
B. 2098	75-76	Gas Lid Emblem.....	\$97⁹⁹
B. 42927	75-76	Gas Lid Emblem - Import.....	\$74⁹⁹
2099	77	Gas Lid Emblem.....	\$59⁹⁹
2100	78	Gas Lid Emblem.....	\$120⁹⁹
2101	79	Gas Lid Emblem.....	\$59⁹⁹
2102	80	Gas Lid Emblem.....	\$39⁹⁹
2328	81	Gas Lid Emblem.....	\$39⁹⁹
2966	82	Gas Lid Emblem - Collector.....	\$104⁹⁹



A.



**THE FINEST
RESTORATION PARTS**

Corvette America proudly offers Trim Parts products!



#2102



#2328



#2099



B.



#2966



#X2075



#X2074



#3953

#3954



#X2507



#K1483



#2103



#2104



#2105

NOSE EMBLEMS

2103	68-72	Nose Emblem - Crossed Flags - Trim Parts.....	\$38⁹⁹
2104	73-74	Nose Emblem.....	\$97⁹⁹
42928	73-74	Nose Emblem - Import.....	\$74⁹⁹
2105	75-76	Nose Emblem.....	\$97⁹⁹
42929	75-76	Nose Emblem - Import.....	\$74⁹⁹

HOOD EMBLEMS

1190	68-72	Hood Emblem Numeral "4".....	\$5⁹⁹
1191	68-69	Hood Emblem Numeral "2".....	\$5⁹⁹
36523	70-72	Hood Emblem Numeral "5".....	\$5⁹⁹
1192	68-69	Hood Emblem Numeral "7".....	\$5⁹⁹
3953	73-74	Hood Emblems "454" - pr - Trim Parts.....	\$48⁹⁹
3954	73-82	Hood Emblems "L-48" - pr - Trim Parts.....	\$71⁹⁹
X2520	73-82	Hood Emblems "L-48" - pr - Import.....	\$24⁹⁹
3955	75-79	Hood Emblems "L-82" - pr - Trim Parts.....	\$51⁹⁹
X2507	75-79	Hood Emblems "L-82" - pr - Import.....	\$24⁹⁹
X2075	68-69	Hood Number Set - 427 - 6 pc w/ Speednuts.....	\$32⁹⁹
X2074	70-72	Hood Number Set - 454 - 6 pc w/ Speednuts.....	\$29⁹⁹
K1029	67-72	Hood Number Speednuts - 12 pc.....	\$2⁹⁹
K1483	73-82	Hood Number Speednuts - 4 pc.....	\$0⁹⁹

CORVETTE AMERICA GIFT CERTIFICATES

A great gift for any Corvette enthusiast! Non-transferable. Non-refundable. Gift certificates are delivered **FREE of CHARGE** via first-class mail.

GC025	\$25 Certificate.....	\$25⁰⁰
GC050	\$50 Certificate.....	\$50⁰⁰
GC100	\$100 Certificate.....	\$100⁰⁰
GC200	\$200 Certificate.....	\$200⁰⁰
GC300	\$300 Certificate.....	\$300⁰⁰
GC400	\$400 Certificate.....	\$400⁰⁰
GC500	\$500 Certificate.....	\$500⁰⁰

General Motors Trademarks used under license to Auto Accessories of America.



#2106



#36522

#2107



#3110

2106	77-79	Nose Emblem - exc 78	\$134⁹⁹
2107	78	Nose Emblem	\$112⁹⁹
3110	80	Nose Emblem	\$39⁹⁹
3111	81	Nose Emblem	\$39⁹⁹
36522	82	Nose Emblem - Collector Edition	\$104⁹⁹



#2114



#X2638



#X2617

REAR EMBLEMS

The polished, raised metal letters in these Lettering Kits will restore the luster to the rear bumper of your Corvette.

2110	68-73	Rear Letters Set	\$126⁹⁹
X2638	68-73	Rear Letters Set - GM Restoration Part	\$49⁹⁹
X2617	74-75	Rear Letters Set - GM Restoration Part	\$49⁹⁹
2112	76	Rear Emblem - 76 Early - 6 1/4" Length	\$45⁹⁹
2113	76-79	Rear Emblem - 8 1/4" Length	\$46⁹⁹
2114	80-82	Rear Emblem	\$45⁹⁹

General Motors Trademarks used under license to Auto Accessories of America.



EMBLEM SPEED NUT KITS

K1016	68	Emblem Speednut Kit - 45 pc	\$7⁹⁹
K1017	69	Emblem Speednut Kit - 51 pc	\$7⁹⁹
K1018	70-72	Emblem Speednut Kit - 52 pc	\$7⁹⁹



#37165



#40902

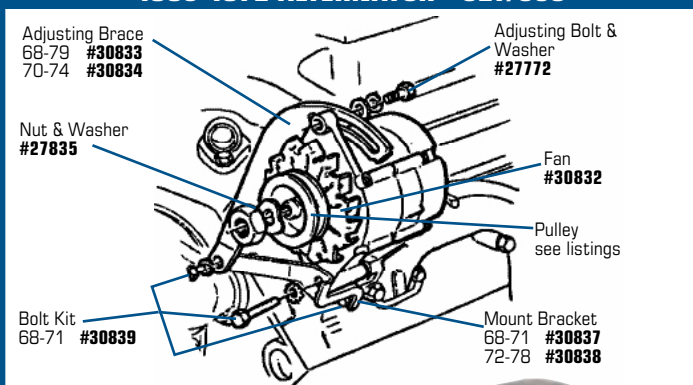


#40899

ALTERNATOR

51462	68	Alternator - 61 Amp - Remanufactured	\$119⁹⁹
37165	68-78	Alternator - w/o AC - 42 Amp - Remanufactured ..	\$79⁹⁹
40897	69-78	Alternator - 37 Amp w/o AC or HP - Remanufactured	\$130⁹⁹
40898	69-82	Alternator - 61/63 Amp - Remanufactured	\$124⁹⁹
40899	73-78	Alternator - 55 Amp - Remanufactured	\$188⁹⁹
40900	75-78	Alternator - 80 Amp - Remanufactured	\$155⁹⁹
40901	79-82	Alternator - 70 Amp - Remanufactured	\$135⁹⁹
51686	78-82	Alternator - Remanufactured	\$245⁹⁹
40902	68-82	Alternator Plug Boot - Correct	\$10⁹⁹

1968-1972 ALTERNATOR - 327/350



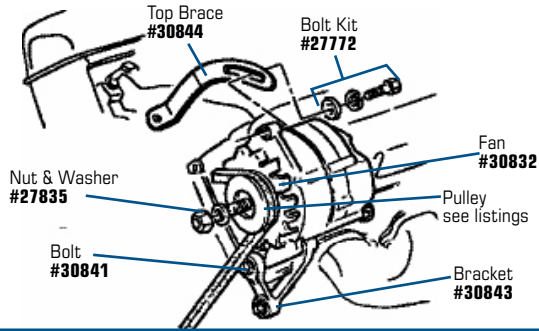
#30833



#30830

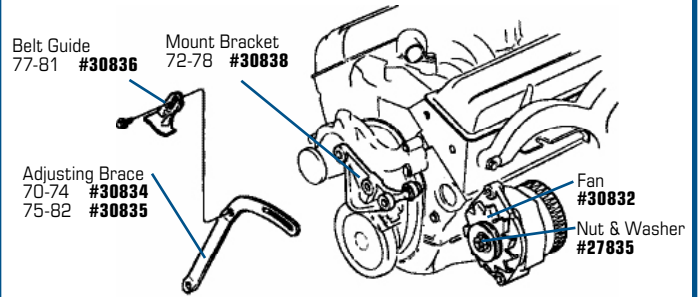
30833	68-69	Alternator Adjusting Brace - 327/350	\$23⁹⁹
30834	70-74	Alternator Adjusting Brace - 350	\$22⁹⁹
30840	77-81	Alternator Adjusting Brace - exc 70 Amp	\$23⁹⁹
27772	68-82	Alternator Adjusting Brace Bolt w/ Washer - Top ...	\$1⁹⁹
36352	68-82	Alternator Adjusting Brace/Water Pump Stud	\$5⁹⁹
31015	68-74	Alternator Bracket Sleeve	\$4⁹⁹
30832	68-79	Alternator Fan (42, 61, 63 Amp)	\$9⁹⁹
30841	68-82	Alternator Long Bolt w/ Nut & Washer	\$3⁹⁹
30837	68-71	Alternator Mount Bracket - 327/350	\$29⁹⁹
30838	72-78	Alternator Mount Bracket - 350 - Cast Iron	\$111⁹⁹
30839	68-71	Alternator Pivot Bolt Kit - Upper/Lower	\$3⁹⁹
36532	72-82	Alternator Pivot Bolt & Nut	\$3⁹⁹
30828	68	Alternator Pulley w/ Fan - 300 HP w/o AC	\$78⁹⁹
30829	68	Alternator Pulley w/ Fan - 300 HP w/ AC	\$39⁹⁹
30830	68-72	Alternator Pulley - 68 350 HP w/ AC, 70-72 LT1 ..	\$40⁹⁹
27835	68-82	Alternator Pulley Nut w/ Washer	\$5⁹⁹
36531	68-82	Alternator Terminal Nut & Lockwasher	\$0⁹⁹

1968-1974 ALTERNATOR - 427/454 W/O PS



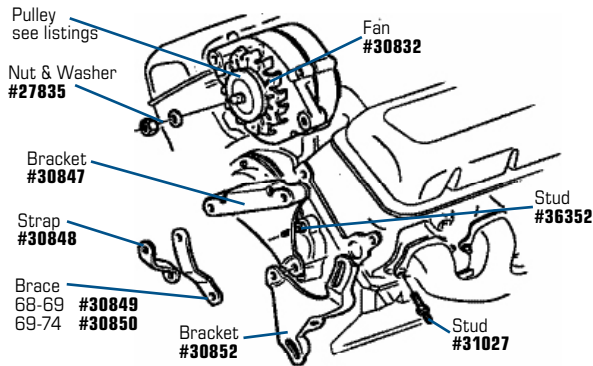
- 27772** 68-82 Alternator Adjusting Brace Bolt w/ Washer - Top.... \$1⁹⁹
- 36534** 68-74 Alternator Brace Bolts - 427/454 w/o PS - 2 pc.... \$1⁹⁹
- 30843** 68-74 Alternator Bracket - 427/454 w/o PS \$93⁹⁹
- 30832** 68-79 Alternator Fan (42/61/63 AMP) \$9⁹⁹
- 30841** 68-82 Alternator Long Bolt w/ Nut & Washer \$3⁹⁹
- K1374** 68-74 Alternator Mount Bolts - 427/454 w/o PS - 3 pc... \$3⁹⁹
- 36532** 72-82 Alternator Pivot Bolt & Nut..... \$3⁹⁹
- 30842** 68-69 Alternator Pulley - 427 w/o AC & w/o PS \$42⁹⁹
- 30830** 68-72 Alternator Pulley - 68-69 w/ AC, 70 All,
71 w/o AC & w/o PS, 72 w/o PS..... \$40⁹⁹
- 27835** 68-82 Alternator Pulley Nut w/ Washer \$5⁹⁹
- 36531** 68-82 Alternator Terminal Nut & Lockwasher..... \$0⁹⁹

1973-1982 ALTERNATOR - 350



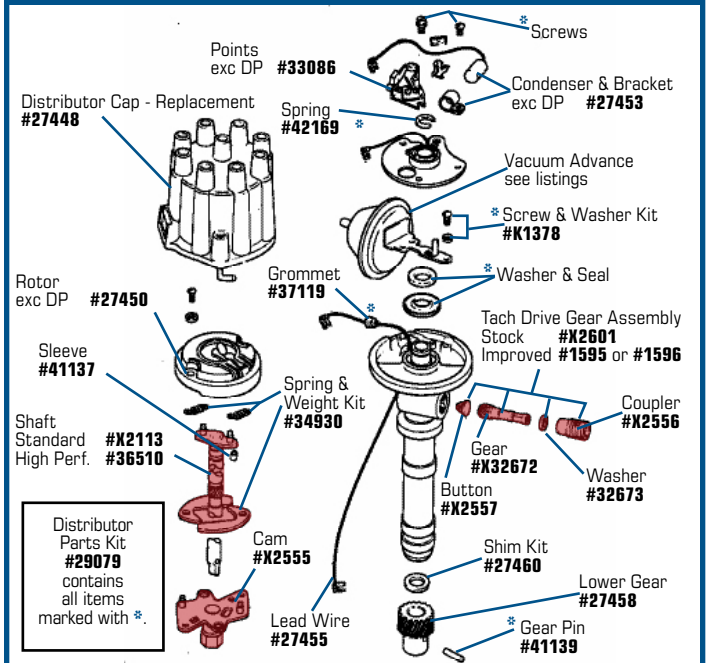
- 30834** 70-74 Alternator Adjusting Brace - 350..... \$22⁹⁹
- 30835** 75-82 Alternator Adjusting Brace - 350..... \$26⁹⁹
- 27772** 68-82 Alternator Adjusting Brace Bolt w/ Washer - Top.... \$1⁹⁹
- 36352** 68-82 Alternator Adjusting Brace/Water Pump Stud - LH. \$5⁹⁹
- 30832** 68-79 Alternator Fan (42/61/63 AMP) \$9⁹⁹
- 30841** 68-82 Alternator Long Bolt w/ Nut & Washer \$3⁹⁹
- 30838** 72-78 Alternator Mount Bracket - Cast Iron \$111⁹⁹
- 36532** 72-82 Alternator Pivot Bolt & Nut..... \$3⁹⁹
- 27835** 68-82 Alternator Pulley Nut w/ Washer \$5⁹⁹
- 36531** 68-82 Alternator Terminal Nut & Lockwasher..... \$0⁹⁹

1968-1974 ALTERNATOR - 427/454 W/ PS



- 36352** 68-82 Alternator Adjusting Brace/Water Pump Stud \$5⁹⁹
- 30849** 68-69 Alternator Brace - 427 w/ PS (69E)..... \$14⁹⁹
- 30850** 69-74 Alternator Brace - 427/454 w/ PS (69L)..... \$13⁹⁹
- 30847** 68-74 Alternator Bracket - 427/454 w/ PS \$52⁹⁹
- 30852** 68-74 Alternator/PS Pump Bracket - 427/454 \$64⁹⁹
- 33659** 68-74 Alternator/PS Pump Bracket Bolt Kit -
427/454 - 23 pc \$17⁹⁹
- 37167** 69-74 Alternator/PS Pump Mount Kit \$199⁹⁹
- 30832** 68-79 Alternator Fan (42/61/63 AMP) \$9⁹⁹
- 30841** 68-82 Alternator Long Bolt w/ Nut & Washer \$3⁹⁹
- 36535** 68-74 Alternator Mount Bolts -
427/454 w/ PS - 3 pc set..... \$2⁹⁹
- 37164** 68-69 Alternator/PS Pump Mount Kit -
Brace, Straps, Bracket & Bolts..... \$199⁹⁹
- 31027** 68-74 Alternator/PS Pump Mount Stud - 427/454..... \$3⁹⁹
- 30845** 68-71 Alternator Pulley w/ PS..... \$42⁹⁹
- 30846** 68-72 Alternator Pulley w/ AC & PS,
68-71 w/ AC & PS; 72 All w/ PS..... \$42⁹⁹
- 27835** 68-82 Alternator Pulley Nut w/ Washer \$5⁹⁹
- 30848** 68-74 Alternator Strap, 427/454 \$13⁹⁹
- 36531** 68-82 Alternator Terminal Nut & Lockwasher..... \$0⁹⁹

1968-1974 DISTRIBUTOR



1968-1974 DISTRIBUTOR

- 40874** 68-74 Distributor - Rebuilt - Tach Drive - exc TI
Core Charge Req'd..... \$299⁹⁹
- 51497** 68-74 Distributor - Tach Drive - HEI Upgrade..... \$299⁹⁹
- 29940** 68-74 Distributor - Tach Drive - exc TI. \$450⁹⁹
- 36509** 68-74 Distributor - Tach Drive - hi-perf \$492⁹⁹



#X2555



#29700



#51095



#35423

- 41138** 68-74 Distributor Base Plate \$21⁹⁹
- 42181** 68-74 Distributor Base Plate Ground Wire \$4⁹⁹
- 22101** 68-74 Distributor Ground Wire - Base to Point Plate \$8⁹⁹
- X2555** 68-74 Distributor Cam \$79⁹⁹
- 42170** 68-74 Distributor Cam Lubricant \$2⁹⁹
- 49476** 68 Distributor Cap - Delco Remy - Reproduction \$74⁹⁹
- 27448** 68-74 Distributor Cap - 3-11/16" Tall - Replacement \$14⁹⁹
- 35421** 68-74 Distributor Cap & Rotor Kit - Replacement \$38⁹⁹
- 27458** 68-82 Distributor Drive Gear - Lower \$26⁹⁹
- 51095** 68-82 Distributor Drive Gear - Lower - Bronze \$54⁹⁹
- 41139** 68-82 Distributor Drive Gear Pin \$0⁹⁹
- 37120** 68-74 Distributor Felt Washer \$1⁹⁹
- 27443** 68-82 Distributor Hold Down - w/ Bolt \$9⁹⁹
- 51207** 68-82 Distributor Hold Down - w/ Bolt - Replacement \$6⁹⁹
- 27444** 68-69 Distributor Hold Down Clamp w/ Bolt (Wire) \$10⁹⁹
- 51337** 68-74 Distributor ID Tag - Delco-Remy - exc FI \$29⁹⁹
- 22123** 68-70 Distributor Lead Wire - to Coil \$12⁹⁹
- 27455** 68-74 Distributor Lead Wire \$7⁹⁹
- 37119** 68-74 Distributor Lead Wire Grommet \$3⁹⁹
- 37125** 68-71 Distributor Magnet - TI \$229⁹⁹
- 25790** 68-71 Distributor Magnet Connector - TI \$7⁹⁹
- 27446** 68-82 Distributor Mount Gasket \$1⁹⁹
- 37124** 68-71 Distributor Pole Piece - TI \$127⁹⁹
- 27450** 68-74 Distributor Rotor (exc Dual Point) \$7⁹⁹
- X2113** 68-74 Distributor Shaft \$59⁹⁹
- 36510** 68-74 Distributor Shaft - Hi Perf \$67⁹⁹
- 27456** 68-74 Distributor Shaft Bushings - Upper/Lower - set \$16⁹⁹
- 27457** 68-74 Distributor Shaft Bushing Installation Tool \$7⁹⁹
- 41137** 68-74 Distributor Shaft Sleeve \$1⁹⁹
- 27460** 68-74 Distributor Shim Kit - 6 pc \$6⁹⁹
- 29079** 68-74 Distributor Small Parts Kit \$9⁹⁹
- 42169** 68-74 Distributor Spring Clip \$5⁹⁹
- 34930** 68-74 Distributor Spring & Weight Kit \$16⁹⁹
- 35423** 68-74 Standard Points - Condenser \$24⁹⁹
- 41137** 68-74 Distributor Shaft Sleeve \$1⁹⁹
- 50681** 68-74 Ignition Points & Condenser Kit \$39⁹⁹
- 27453** 68-74 Ignition Condenser (exc Dual Point) \$7⁹⁹
- K1434** 68-74 Ignition Condenser Screw \$0⁹⁹
- 27451** 68-74 Ignition Point (exc Dual Point) \$20⁹⁹
- K1435** 68-74 Ignition Point Screws - 2 pc set \$0⁹⁹
- 29700** 68-72 Transistor Ignition Amplifier Box Module \$146⁹⁹
- 42182** 68-74 Trans Ignition Amp Rear Cover Screws - 6 pc \$4⁹⁹
- 42174** 68-74 Trans Ignition Connector Dbl Male on Dist \$8⁹⁹



#37124



#42175



#31106



#36512

- 42177** 68-74 Trans Ignition Connector Dbl Female on Harness \$1⁹⁹
- 42175** 68-74 Trans Ignition Connector Single Male \$1⁹⁹
- 42176** 68-74 Trans Ignition Connector Single Female \$0⁹⁹
- 37128** 68-72 Trans Ignition Module Cover Gasket \$7⁹⁹
- 42183** 68-74 Trans Ignition Pickup Coil Washer \$3⁹⁹
- 36511** 68 Vacuum Advance - Correct - #360 \$44⁹⁹
- 36512** 68-69 Vacuum Advance - Correct - #373 \$66⁹⁹
- 33567** 68-70 350 w/ SHP \$17⁹⁹
- 33568** 71-72 Vacuum Advance - 350 \$19⁹⁹
- 33569** 69-70 Vacuum Advance -
69 427 w/ SHP, 70 350 w/ HP \$20⁹⁹
- 31106** 68-74 Vacuum Advance Line Clip on Intake \$3⁹⁹
- 31107** 68-74 Vacuum Advance Line Hose w/ White Stripe \$3⁹⁹
- K1378** 68-74 Vacuum Advance Mount Screw & Washer \$0⁹⁹



#X2601

includes all 4 pieces

- X2601** 68-74 Side Gear, Coupler, Washer & Button - 4 pc \$44⁹⁹
- X2557** 68-74 Distributor Side Gear Bronze Button \$5⁹⁹
- X2556** 68-74 Distributor Side Gear Coupler \$19⁹⁹
- 32673** 68-74 Distributor Side Gear Washer \$1⁹⁹



#X32672

- X32672** 68-74 Distributor Side Gear - Tach Drive \$29⁹⁹
- X2113** 68-74 Distributor Shaft \$59⁹⁹

1968-1974 TACHOMETER CABLE ADAPTER

Eliminates the 90° bend in your 1968-1974 tachometer cable. Simply screw to side gear coupler on distributor and attach your tach cable.



- X2521** 68-74 Tach Cable Adapter \$39⁹⁹

1968-1974 TACH DRIVE GEAR ASSEMBLIES

Include side gear and feature stainless steel or bronze coupling with permanently lubricated needle bearings to reduce heat and friction. Outlasts original by years!



- 1595** 68-74 Stainless Steel \$79⁹⁹
- 1596** 68-74 Bronze \$79⁹⁹

Accel Ignition Components



Accel Ignition Coils, Distributor Components, Spark Plugs and Spark Plug Wires are designed to make your Corvette's ignition perform reliably and efficiently. Accel's innovations in ignition wire and distributor technology have earned the trust of auto and performance enthusiasts everywhere. Accel delivers a better spark and more MPG's. Get started with Accel.



#51110



#51106



#51107



- 51110** 68-74 Distributor Tune Up Kit - w/ High Performance 32 oz points - Accel **\$48⁹⁹**
- 51111** 68-74 Distributor Cap & Rotor Kit - Accel **\$33⁹⁹**
- 51108** 68-74 Distributor Rotor (exc Dual Point) - Accel **\$25⁹⁹**
- 51106** 68-74 Ignition Condenser (exc Dual Point) - Accel **\$16⁹⁹**
- 51107** 68-74 Ignition Point (exc Dual Point) - Accel **\$32⁹⁹**



1968-1974 ACCCEL DISTRIBUTOR POINTS ELIMINATOR KIT

Electronic circuits and an infrared signal replace your high-maintenance points to stabilize ignition timing from 1 to 10,000 rpm and improve performance and fuel efficiency. Accel's Points Eliminator Kit is easy to install and built to last. For single- and dual-point distributors.

- 51139** 68-74 Distributor Points Eliminator Kit **\$89⁹⁹**

Mallory Ignition Components



Mallory components are carefully developed and thoroughly tested to deliver serious power to your ignition system so you get the maximum performance from your Corvette. From HEI upgrade modules to full electronic ignitions and high-powered coils, Mallory Ignition components boost performance with better timing accuracy, higher output and efficiency, and even a boost in RPM. Light your Corvette's fire with Mallory Ignitions.



#51144

MALLORY COMP S/S 42 SERIES ELECTRONIC IGNITION MODULE

Give your ignition a boost with Mallory's COMP S/S 42 Series Electronic Ignition Module. The complete, self-contained Magnetic Breakerless unit is easy to install and ready to run. Features:

- Ball Bearing Bushings (upper and lower) for maximum stability at any RPM
- Adjustable Mechanical and Vacuum Advance
- Includes Vac. Advance Lockout Plate to run Mechanical Advance only
- CNC Machined Billet Housings

We recommend running the Mallory PROMASTER E Series Coil (#51145) with this module. See #51145 in Ignition Coils listings.

Please Note: Not for sale or use in California on pollution-controlled vehicles.

- 51144** 68-74 Distributor - Mallory Comp 42 - Tach Drive - exc TI..... **\$483⁹⁹**
- 51145** 68-74 Coil - Mallory Promaster E Series (See details in Ignition Coils)..... **\$89⁹⁹**

1968-1972 TRANSISTOR IGNITION

- 51039** 68 Transistor Ignition Amplifier - 68E..... **\$399⁹⁹**
- 32465** 68 Transistor Ignition Amplifier Extension - From internal circuit board to amplifier housing connector..... **\$37⁹⁹**
- 51032** 68 Transistor Ignition Amplifier Box Extension Retainer **\$11⁹⁹**
- 51040** 68-71 Transistor Ignition Amplifier - 68L..... **\$399⁹⁹**
- 32466** 68-71 Transistor Ignition Amplifier Extension - From internal circuit board to amp. housing connector..... **\$54⁹⁹**
- 29685** 68-72 Transistor Ignition Extension Harness - Ignition switch to Transition Ignition Harness..... **\$18⁹⁹**
- 29694** 68 Transistor Ignition Harness (Early) - w/ Connector on amplifier **\$136⁹⁹**
- 29696** 68-72 Transistor Ignition Harness - Amplifier to coil and distributor (68 w/ Pigtail on amplifier) **\$136⁹⁹**
- 29700** 68-72 Transistor Ignition Replacement Module - Replaces original circuit board in amplifier **\$146⁹⁹**

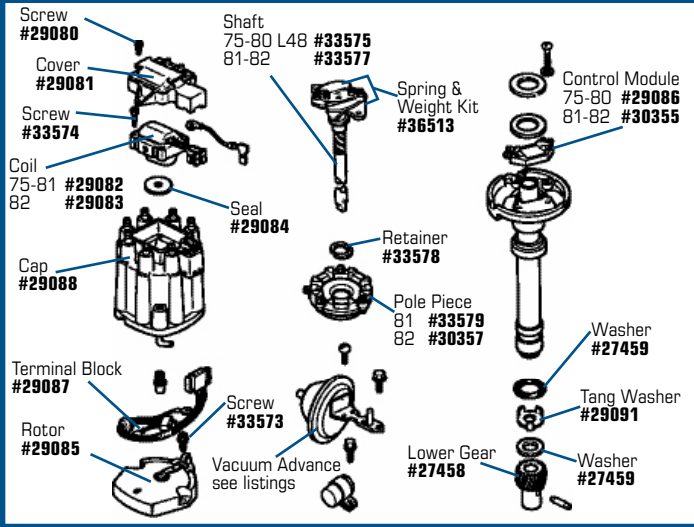
1968-1974 BREAKERLESS SE IGNITION KIT

Convert any GM V8 breaker point-type distributor with a windowed-type distributor cap to a reliable, solid-state electronic ignition that looks like stock. The fully integrated trigger and power module fits completely inside the distributor. No additional wires protrude from the distributor, only the original points wire. Features over-current protection. Covered by a 3-year manufacturer's warranty.



41508 68-74 Breakerless SE Ignition Kit **\$169⁹⁹**

1975-1982 HEI DISTRIBUTOR



1975-1982 DISTRIBUTOR

46311	75-82 Distributor - HEI w/o Tach Drive	\$119⁹⁹
51062	75-80 Distributor - HEI w/o Tach Drive - Reman. - Does not incl. rotor & cap	\$165⁹⁹
51067	80-82 Distributor - HEI w/o Tach Drive - Reman. - Does not incl. rotor & cap	\$155⁹⁹
25821	75-81 HEI Distributor Rebuild Kit	\$93⁹⁹
29088	75-82 Distributor Cap (HEI)	\$15⁹⁹
29090	75-82 Distributor Cap & Rotor Kit	\$33⁹⁹
36514	75-80 Distributor Capacitor	\$9⁹⁹
29083	82 Distributor Coil	\$69⁹⁹
29081	75-82 Distributor Coil Cover	\$13⁹⁹
29080	75-82 Distributor Coil Cover Screw	\$17⁹⁹
33574	75-82 Distributor Coil Mounting Screw	\$13⁹⁹
29084	75-82 Distributor Coil Seal (Under Coil)	\$31⁹⁹
41792	78-82 Distributor Cover - Chrome	\$22⁹⁹
27458	68-82 Distributor Drive Gear - Lower	\$26⁹⁹
29091	75-82 Distributor Drive Gear Tang Washer	\$2⁹⁹

29086	75-80 Distributor Module	\$47⁹⁹
33581	81 Distributor Module	\$49⁹⁹
30355	81-82 Distributor Module	\$71⁹⁹
27446	68-82 Distributor Mount Gasket	\$1⁹⁹
29089	75-80 Distributor Pick-Up Coil	\$54⁹⁹
30357	82 Distributor Pole Piece/Pick-up Coil	\$58⁹⁹
33578	75-82 Distributor Pole Piece Retainer	\$4⁹⁹
29085	75-82 Distributor Rotor	\$5⁹⁹
33573	75-82 Distributor Rotor Screw	\$2⁹⁹
33575	75-80 Distributor Shaft - L48	\$87⁹⁹
33577	81-82 Distributor Shaft	\$15⁰⁰
36513	75-82 Distributor Spring & Weight Kit	\$6⁹⁹
29087	75-82 Distributor Terminal Block w/ Capacitor	\$26⁹⁹
36515	81-82 Distributor Terminal Block - Module to Electrical Package	\$141⁹⁹
33583	75-77 Vacuum Advance - L48 exc Cal	\$25⁹⁹
51103	75-82 Vacuum Advance - Adjustable - includes weights, springs & cam plate	\$39⁹⁹
33584	76 Vacuum Advance - L82 Auto	\$20⁹⁹
33586	78-80 Vacuum Advance - exc L82, 78 Auto	\$22⁹⁹
33587	78 Vacuum Advance - L48 Manual	\$19⁹⁹
33588	78-80 Vacuum Advance - 78-79 L82 or Cal	\$22⁹⁹
33589	80 Vacuum Advance - L82 Auto	\$15⁹⁹



MALLORY 85 SERIES HEI IGNITION

The 85 Series HEI Distributor is a direct plug-in for NON-COMPUTER CONTROLLED, HEI equipped Corvettes. It delivers high performance for street-going Corvettes with features like:

- Precision CNC Machined upper housing for maximum timing accuracy
 - Billet lower housing for light weight and durability
 - Mechanical Advance and Adjustable Vacuum Advance
 - Mallory's circuitry for high performance dwell and coil saturation
- Please Note: Not for sale or use in California on pollution-controlled vehicles.

51143 75-82 Distributor - Mallory HEI w/o Tach Drive **\$283⁹⁹**



MALLORY HYFIRE DISTRIBUTOR MODULE

Wake up your coil-in-cap type HEI ignition with the Mallory HyFire HEI Module. Designed for 8 cylinder, 4 pin modules, the HyFire delivers a hotter spark over a broader RPM range courtesy of its extended-dwell circuitry. Features:

- More accurate timing
- Adjustable Rev Limiter: 5,000 to 9,500 RPM
- Higher RPM capability
- Reduces the high-RPM retardation typical in other HEI modules

Please Note: Not for sale or use in California on pollution-controlled vehicles.

51142 75-80 Distributor Module - Mallory Hyfire **\$169⁹⁹**



ACCEL HEI DISTRIBUTOR MODULE

The solid state electronics in this HEI high-performance module produces higher output and superior reliability over stock. Dwell control circuitry delivers a long, consistent charge and the current control circuit prevents overheating.

- 51122** 75-80 Distributor Module - Accel - 4 pin **\$58⁹⁹**
- 51123** 81-82 Distributor Module - Accel - 7 pin **\$74⁹⁹**



ACCEL HEI DISTRIBUTOR CAP & ROTOR

Accel's heavy-duty, high-performance rotors and caps deliver maximum stability and optimum energy transfer at all RPMs and protect against arc-through and crossfire. Replaces stock rotor and cap.

- 51119** 75-82 Distributor Cap - HEI - Accel **\$26⁹⁹**
- 51120** 75-82 Distributor Rotor - HEI - Accel **\$13⁹⁹**
- 51121** 75-82 Distributor Cap & Rotor Kit - HEI - Accel **\$33⁹⁹**



IGNITION COIL

- 37145** 68-72 Coil - Transistor Ignition - Replacement **\$74⁹⁹**
- 37148** 68 Coil - Transistor Ignition - 350/375 HP #207 **\$144⁹⁹**
- 37152** 68-72 Coil - Transistor Ignition - 427 #263 **\$144⁹⁹**
- 25794** 68 Transistor Ignition Amplifier Extension Retainer **\$13⁹⁹**
- 51476** 68-74 Coil - Transistor Ignition Pickup Coil **\$199⁹⁹**
- 33064** 68-74 Coil - Replacement - exc TI **\$74⁹⁹**
- 31249** 68-74 Coil - 327/350 **\$89⁹⁹**
- 31250** 68-74 Coil - 427/454 **\$89⁹⁹**
- 31251** 75-81 Coil **\$33⁹⁹**
- 35080** 68-74 Coil Bracket (exc 3X2) **\$16⁹⁹**
- 35081** 68-69 Coil Bracket (427 3X2) **\$20⁹⁹**
- 35082** 68-74 Coil Bracket Screws - pr **\$5⁹⁹**
- 50687** 74-82 Coil Mounting Strap **\$2⁹⁹**
- 42203** 68-74 Coil Terminal Nut, Washer & Retainer Kit **\$10⁹⁹**



MALLORY PROMASTER E SERIES COIL

For street-driven Corvettes with breaker point ignition or OEM electronic ignition, the PROMASTER E Series Coil utilizes Mallory's high-efficiency E-core design for maximum performance. It also features:

- Extruded Aluminum Mount for greater heat dissipation and good looks
- Faster Rise Time and Increased Spark Duration over stock
- Easy Installation with plug-in style wire connector

Please Note: Not for sale or use in California on pollution-controlled vehicles.

- 51145** 68-74 Coil - Mallory Promaster E Series **\$89⁹⁹**



ACCEL SUPER COILS

Accel Super Coils deliver 10% to 15% more energy than OEM coils by utilizing advanced bobbin technology, specialized silicone magnetic steel cores and optimized winding. High-temp epoxy resists shock and vibration while increasing conductivity. Direct plug-in replacements for OEM coils.

HEI coils are compatible with both original and computer-controlled HEI ignition Systems.

- 51109** 68-74 Coil - Accel Super Coil - exc TI **\$110⁹⁹**
- 51112** 68-74 Coil - Accel Super Stock Coil - Chrome - exc TI **\$49⁹⁹**
- 51124** 75-81 Coil - Accel Super Coil - HEI **\$98⁹⁹**
- 51140** 75-82 Coil Cover - Accel Super Coil Cover - Aluminum **\$34⁹⁹**
- 51125** 82 Coil - Accel Super Coil - HEI **\$97⁹⁹**



MALLORY HEI STREET PERFORMANCE IGNITION COIL

Mallory's HEI Coil is a high performance replacement coil for 1975 and later Corvettes equipped with internal-coil HEI distributors. It is an economical way to raise RPM Range and increase ignition performance. Plus, the red epoxy finish adds a custom look under the hood.

Please Note: Not for sale or use in California on pollution-controlled vehicles.

- 51146** 75-82 Coil - Mallory Street Performance - HEI **\$89⁹⁹**



1968-74 REPRODUCTION SPARK PLUG WIRE SETS

Manufactured with GM blueprints featuring correct boots, terminals, cables and correct script on wire.

SMALL BLOCK

22026	68	Spark Plug Wire Set - 327 (Early 68)	\$75⁹⁹
22027	68	Spark Plug Wire Set - 327 (Late 68)	\$75⁹⁹
22028	69	Spark Plug Wire Set - 350 (Early 69)	\$75⁹⁹
22029	69	Spark Plug Wire Set - 350 (Late 69)	\$75⁹⁹
22030	70	Spark Plug Wire Set - 350 (Early 70)	\$75⁹⁹
22031	70	Spark Plug Wire Set - 350 (Late 70)	\$75⁹⁹
22032	71	Spark Plug Wire Set - 350 (Early 71)	\$75⁹⁹
22033	71	Spark Plug Wire Set - 350 (Late 71)	\$75⁹⁹
22034	72	Spark Plug Wire Set - 350 (Early 72)	\$75⁹⁹
22035	72	Spark Plug Wire Set - 350 (Late 72)	\$75⁹⁹
22036	73	Spark Plug Wire Set - 350 (Early 73)	\$75⁹⁹
22037	73	Spark Plug Wire Set - 350 (Late 73)	\$75⁹⁹
22038	74	Spark Plug Wire Set - 350 (Early 74)	\$75⁹⁹
22039	74	Spark Plug Wire Set - 350 (Late 74)	\$75⁹⁹

BIG BLOCK WITH RADIO

22056	68	Spark Plug Wire Set - 427 w/ Radio (68E)	\$161⁹⁹
22057	68	Spark Plug Wire Set - 427 w/ Radio (68L)	\$161⁹⁹
22058	69	Spark Plug Wire Set - 427 w/ Radio (69E)	\$161⁹⁹
22059	69	Spark Plug Wire Set - 427 w/ Radio (69L)	\$161⁹⁹
22060	70	Spark Plug Wire Set - 454 w/ Radio (70E)	\$161⁹⁹
22061	70	Spark Plug Wire Set - 454 w/ Radio (70L)	\$161⁹⁹
22062	71	Spark Plug Wire Set - 454 w/ Radio (71E)	\$161⁹⁹
22063	71	Spark Plug Wire Set - 454 w/ Radio (71L)	\$161⁹⁹
22064	72	Spark Plug Wire Set - 454 w/ Radio (72E)	\$161⁹⁹
22065	72	Spark Plug Wire Set - 454 w/ Radio (72L)	\$161⁹⁹
22066	73	Spark Plug Wire Set - 454 w/ Radio (73E)	\$161⁹⁹
22067	73	Spark Plug Wire Set - 454 w/ Radio (73L)	\$161⁹⁹
22068	74	Spark Plug Wire Set - 454 w/ Radio (74E)	\$161⁹⁹
22069	74	Spark Plug Wire Set - 454 w/ Radio (74L)	\$161⁹⁹

BIG BLOCK WITHOUT RADIO

22085	68	Spark Plug Wire Set - 427 w/o Radio (68E)	\$75⁹⁹
22086	68	Spark Plug Wire Set - 427 w/o Radio (68L)	\$75⁹⁹
22087	69	Spark Plug Wire Set - 427 w/o Radio (69E)	\$75⁹⁹
22088	69	Spark Plug Wire Set - 427 w/o Radio (69L)	\$75⁹⁹
22089	70	Spark Plug Wire Set - 454 w/o Radio (70E)	\$75⁹⁹
22090	70	Spark Plug Wire Set - 454 w/o Radio (70L)	\$75⁹⁹
22091	71	Sprk Plug Wire Set - 454/365hp w/o Radio - (71E)..	\$75⁹⁹
22092	71	Sprk Plug Wire Set - 454/365hp w/o Radio - (71L)..	\$75⁹⁹
22093	71	Sprk Plug Wire Set - 454/425hp w/o Radio - (71E)..	\$75⁹⁹
22094	71	Sprk Plug Wire Set - 454/425hp w/o Radio - (71L)..	\$75⁹⁹
22095	72	Spark Plug Wire Set - 454 w/o Radio (72E)	\$75⁹⁹
22096	72	Spark Plug Wire Set - 454 w/o Radio (72L)	\$75⁹⁹
22097	73	Spark Plug Wire Set - 454 w/o Radio (73E)	\$75⁹⁹
22098	73	Spark Plug Wire Set - 454 w/o Radio (73L)	\$75⁹⁹
22099	74	Spark Plug Wire Set - 454 w/o Radio (74E)	\$75⁹⁹
22100	74	Spark Plug Wire Set - 454 w/o Radio (74L)	\$75⁹⁹

ECONOMY SPARK PLUG WIRE SETS

With genuine Packard® wiring and stock-like boots, they fit better and are cosmetically closer to original than GM replacements. No date coding on the wires—a small sacrifice for high quality at a low price.

23090	68-74	Spark Plug Wire Set - Small Block	\$40⁹⁹
23095	68-74	Spark Plug Wire Set - Big Block w/ Radio	\$146⁹⁹
23091	68-71	Spark Plug Wire Set - Big Block w/o Radio	\$40⁹⁹
23093	72-74	Spark Plug Wire Set - Big Block w/o Radio	\$40⁹⁹
29174	75-77	Spark Plug Wire Set - HEI (Delco Replacement)	\$55⁹⁹
29176	78-82	Spark Plug Wire Set - HEI (Delco Replacement)	\$56⁹⁹



ACCEL SUPER STOCK SPIRAL SPARK PLUG WIRES

Efficient and economically priced, Super Stock Spiral wire sets deliver spark energy with 500 ohms per foot of resistance, zinc-plated steel terminals and silicone boots.

51113	68-74	Super Stock Spiral Spark Plug Wires - SB - exc FI	\$61⁹⁹
51114	68-74	Super Stock Spiral Spark Plug Wires - BB - w/o HEI	\$61⁹⁹
51115	74	Super Stock Spiral Spark Plug Wires - BB - w/ HEI	\$61⁹⁹
51116	74-82	Super Stock Spiral Spark Plug Wires - SB	\$61⁹⁹

SPARK PLUG WIRE RELATED

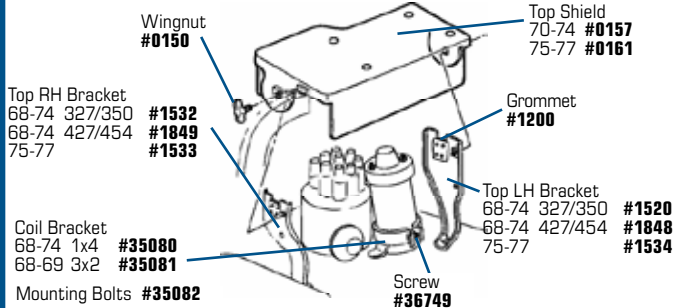
1201	75-77	Spark Plug Wire Grommets - Square	\$8⁹⁹
-------------	-------	-----------------------------------	-------------------------



SPARK PLUGS

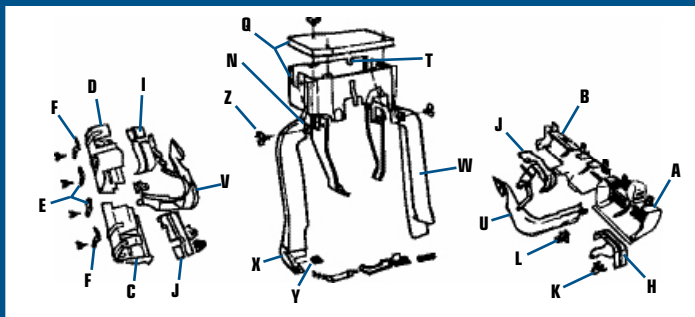
50647	68	Spark Plug - Delco R43 - 283/327/350 - ea	\$2⁹⁹
50671	68-69	Spark Plug - Delco R43XLS - 396/427 - ea	\$2⁹⁹
50673	75	Spark Plug - Delco R44TX - ea	\$2⁹⁹
50672	76-82	Spark Plug - Delco R45TS - ea	\$2⁹⁹
51132	68-70	Spark Plugs - Accel U-Groove - 4 Pack - SB	\$14⁹⁹
51133	71-82	Spark Plugs - Accel U-Groove - 4 Pack - SB	\$14⁹⁹
51134	70-82	Spark Plugs - Accel U-Groove - 4 Pack - 70-71 BB	\$14⁹⁹
51985	68	Spark Plugs - #43 - w/ Green Strip - 8 Pack	\$59⁹⁹
51986	68	Spark Plugs - #44 - w/ Green Strip - 8 Pack	\$59⁹⁹
51987	68	Spark Plugs - #45 - w/ Green Strip - 8 Pack	\$59⁹⁹

1970-1977 IGNITION TOP SHIELD



Q. 0147	68-70 Top Shield.....	\$109 ⁹⁹
Q. 0157	70-74 Top Shield.....	\$51 ⁹⁹
Q. 0161	75-77 Top Shield.....	\$46 ⁹⁹
40950	78-82 Top Shield Cover - Chrome	\$44 ⁹⁹
40949	78-82 Top Shield Hood Cable Strap - 4 pc set.....	\$6 ⁹⁹
1532	68-70 Top Shield Bracket - RH - 70E	\$16 ⁹⁹
1520	68-74 Top Shield Bracket - LH.....	\$16 ⁹⁹
1521	70-74 Top Shield Bracket - LH - 70L	\$16 ⁹⁹
1535	70-74 Top Shield Bracket - RH - 70L	\$16 ⁹⁹
1534	75-77 Top Shield Bracket - LH.....	\$14 ⁹⁹
1533	75-77 Top Shield Bracket - RH	\$14 ⁹⁹
T. 1829	68-70 Top Shield Rear Grommet	\$0 ⁹⁹
U. 1908	68-69 Lower V-Shield - LH.....	\$70 ⁹⁹
U. 1910	70-79 Lower V-Shield - LH.....	\$61 ⁹⁹
V. 1909	68-69 Lower V-Shield - RH	\$70 ⁹⁹
V. 1911	70-79 Lower V-Shield - RH	\$61 ⁹⁹
W. 1597	68-77 Vertical Shield - LH.....	\$52 ⁹⁹
X. 1601	68-77 Vertical Shield - RH.....	\$52 ⁹⁹
Y. 0168	68-74 Vertical Shield J-Nut - RH	\$0 ⁹⁹
Z. 0150	68-79 Wingnut.....	\$0 ⁹⁹

1968-1979 IGNITION SHIELDING



SMALL BLOCK IGNITION SHIELDING COMPONENTS

A. 1907	68 Spark Plug Shield - Left Front	\$37 ⁹⁹
A. 1730	69-70 Spark Plug Shield - Left Front	\$41 ⁹⁹
B. 40951	68-72 Spark Plug Shield - Left Rear	\$35 ⁹⁹
B. 40952	73-79 Spark Plug Shield - Left Rear	\$56 ⁹⁹
C. 1793	68-70 Spark Plug Shield - Right Front	\$37 ⁹⁹
D. 1901	68-69 Spark Plug Shield - Right Rear	\$46 ⁹⁹
D. 1803	70-79 Spark Plug Shield - Right Rear	\$43 ⁹⁹
36738	68 Spark Plug Shields - 4 pc set - w/ Brackets & Wingnuts	\$184 ⁹⁹
36739	69-70 Spark Plug Shields - 3 pc set - w/ Brackets & Wingnuts	\$190 ⁹⁹
36714	70-72 Spark Plug Shields - 70L - 2 pc set - w/ Brackets & Wingnuts	\$94 ⁹⁹
36740	73-79 Spark Plug Shields - Rear - 2 pc set - w/ Brackets & Wingnuts	\$97 ⁹⁹
E. 1212	68-79 Spark Plug Shield Bracket - Inner - 2 req'd	\$3 ⁹⁹
F. 1213	68-79 Spark Plug Shield Bracket - Outer - 4 req'd	\$4 ⁹⁹
E. 1214	68-79 Spark Plug Shield Bracket - Inner - 2 req'd	\$5 ⁹⁹
36737	68-70 Spark Plug Shield Brackets - 8 pc set.....	\$31 ⁹⁹
22107	70-79 Spark Plug Shield Brackets - 4 pc set.....	\$11 ⁹⁹
H. 36743	68-76 Spark Plug Heat Shield w/ Hole - Left Front.....	\$23 ⁹⁹
I. 1224	68-79 Spark Plug Heat Shield - Right Rear	\$9 ⁹⁹
1223	68-79 Spark Plug Heat Shield - Left Rear/Right Front - 2 req'd	\$9 ⁹⁹
X2582	68-79 Spark Plug Heat Shields - 4 pc set - Does both sides.....	\$29 ⁹⁹
K. 0149	68-74 Spark Plug Wire Clip - Block.....	\$4 ⁹⁹
L. 0191	68-74 Spark Plug Wire Clip - Oil Pan	\$3 ⁹⁹
M. 0148	68-74 Spark Plug Wire Grommet - Oval	\$2 ⁹⁹
N. 1200	68-79 Spark Plug Wire Grommets - Square - pr	\$6 ⁹⁹
36751	76-82 Spark Plug Wire Retainer - 4 Wire - Slip on.....	\$9 ⁹⁹
36752	77-79 Spark Plug Wire Retainer - 4 Wire - Slip on w/ Lock Top.....	\$1 ⁹⁹
36750	74-82 Spark Plug Wire Separator - 4 Wire	\$0 ⁹⁹
1682	68-82 Spark Plug Wire Support - Left Rear	\$7 ⁹⁹
1211	68-74 Spark Plug Wire Support - Right Rear	\$14 ⁹⁹
36742	75-82 Spark Plug Wire Support - Right Rear	\$8 ⁹⁹

SMALL BLOCK IGNITION SHIELD SETS



Typical Set includes:

Top Shield	Wingnuts
LH and RH Top Shield Brackets	Spark Plug Wire Grommets
LH and RH Vertical Shields	Ignition Shield Bracket - Lwr LR
Spark Plug Shield Brackets	Spark Plug Wire Support
Spark Plug Shields	

6244	68 Ignition Shield Set 327	\$448 ⁹⁹
6245	69 Ignition Shield Set 350	\$448 ⁹⁹
6246	70 Ignition Shield Set 350 - 70 Early	\$448 ⁹⁹
6247	70-72 Ignition Shield Set 350 - 70 Late	\$250 ⁹⁹
6248	73-74 Ignition Shield Set 350	\$280 ⁹⁹



**Most items are in stock
and ready to ship!**

In addition to our regular delivery, we offer more shipping options to get your packages when you need them. Call a Sales Rep for details.

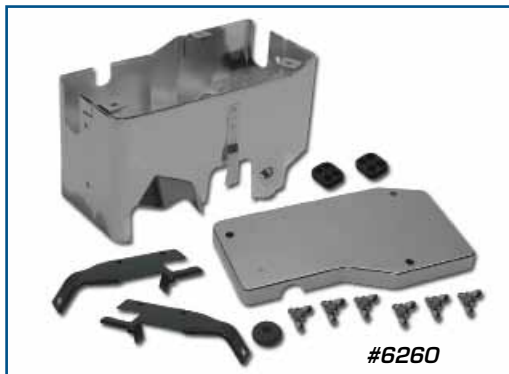
ENGINE (continued)



BIG BLOCK COMPONENTS

35081	68-69 Coil Bracket - 427 3x2	\$20⁹⁹
35080	68-74 Coil Bracket - 427/454 exc 3x2	\$16⁹⁹
35082	68-74 Coil Bracket Bolts - pr	\$5⁹⁹
36749	68-74 Coil Mount Bracket Screw	\$0⁹⁹
36747	70-74 Spark Plug Barrel Heat Shields - 454 - 8 pc set	\$47⁹⁹
36753	69-74 Spark Plug Wire Bracket RH - 427/454 - Bolts to RH Valve Cover	\$17⁹⁹
K1344	68-74 Spark Plug Wire to Bracket Grounding Nuts - pr	\$1⁹⁹
0148	68-74 Spark Plug Wire Grommet - Oval	\$2⁹⁹
1200	68-79 Spark Plug Wire Grommets - Square - pr	\$6⁹⁹
35077	68-74 Spark Plug Wire Support on Valve Cover - 2 Wire w/ Stand - 427/454 2 req'd	\$2⁹⁹
35078	68-74 Spark Plug Wire Support on Valve Cover - 4 Wire w/ Stand - 427/454 2 req'd	\$2⁹⁹
0147	68-70 Top Shield (exc 3x2)	\$109⁹⁹
0663	68-69 Top Shield - 427 3x2	\$115⁹⁹
0157	70-74 Top Shield	\$51⁹⁹
1843	68-74 Top Shield Bracket	\$37⁹⁹
1848	68-74 Top Shield Bracket - LH	\$18⁹⁹
1849	68-74 Top Shield Bracket - RH	\$18⁹⁹
36744	68-70 Top Shield Lid Only - 427/454	\$48⁹⁹
36745	68-70 Top Shield Lower Box - 427/454 1x4	\$93⁹⁹
36746	68-69 Top Shield Lower Box - 427 3x2	\$93⁹⁹
1829	68-70 Top Shield Rear Grommet	\$0⁹⁹
0150	68-79 Wingnut	\$0⁹⁹

BIG BLOCK IGNITION SHIELD SETS



Typical Set includes:

- | | |
|------------------------------------|----------------------------|
| 1 Top Shield | 2 Wingnuts |
| 2 Top Shield Brackets -
LH & RH | 2 Spark Plug Wire Grommets |

6260	68-70 Ignition Shield Set - 427 1x4 & 454 - 7 pc	\$147⁹⁹
6261	68-69 Ignition Shield Set - 427 3x2 - 7 pc	\$147⁹⁹
6262	71-74 Ignition Shield Set - 454 - 7 pc	\$81⁹⁹



#29743



ENGINE ELECTRICAL & COMPUTER

29743	68-70 Radio Ground Strap Kit	\$19⁹⁹
43816	68 Voltage Regulator - Replacement	\$29⁹⁹
37158	68-75 Voltage Regulator Mount Screws & Nuts	\$7⁹⁹
51071	82 Engine Control Module (ECM) Computer - Remanufactured	\$299⁹⁹



#40909



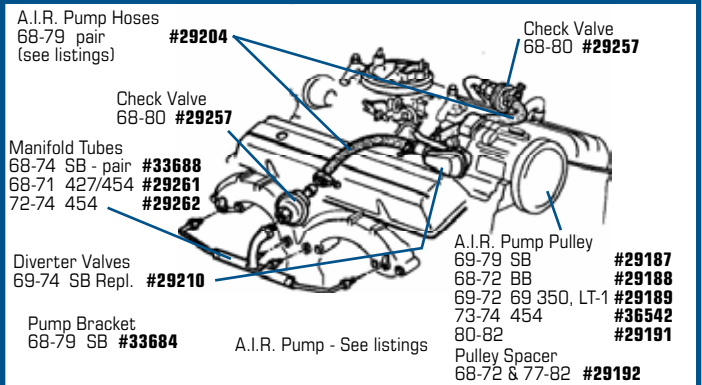
#40912

CRUISE CONTROL

40909	77-80 Cruise Control Transducer - 2 Wire	\$119⁹⁹
40910	81-82 Cruise Control Transducer - 3 Wire	\$134⁹⁹
40912	82 Cruise Control Vacuum Release Valve	\$29⁹⁹

1968-1982 EMISSIONS

1968-1982 A.I.R. PUMP



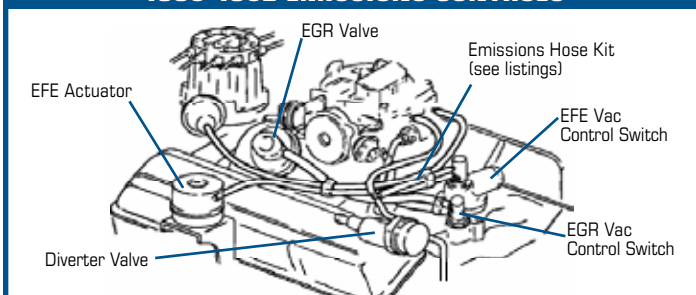
33688	68-74 A.I.R. Exhaust Manifold Tubes - 327/350 - pr	\$189⁹⁹
29261	68-71 A.I.R. Exhaust Manifold Tubes - 427/454 - pr	\$229⁹⁹
29262	72-74 A.I.R. Exhaust Manifold Tubes - 454 - pr	\$206⁹⁹
1033	68-71 A.I.R. Pump - Rebuilt	\$149⁹⁹
1034	72-79 A.I.R. Pump - Rebuilt	\$129⁹⁹
51068	80 A.I.R. Pump - Rebuilt - L82	\$114⁹⁹
1035	80-81 A.I.R. Pump - Rebuilt - Fits 1980 L48, 1980 305ci, 1981 305ci	\$114⁹⁹
1036	81-82 A.I.R. Pump - Rebuilt - Fits 1981 350ci, 1982-1984 All	\$129⁹⁹
33684	68-79 A.I.R. Pump Bracket - 327/350	\$77⁹⁹



- 29204** 68-79 A.I.R. Pump Hoses - pr - 68 427; 69 300, 350
390hp, L88; 70-72 LT1 & ZR1; 71 LS6 & ZR2;
72 454; 73-74 190, 195, 250hp;
77-79 L82 & L48 California or Hi-Alt **\$25⁹⁹**
- 29187** 69-79 A.I.R. Pump Pulley **\$42⁹⁹**
- 29189** 69-72 A.I.R. Pump Pulley - 69 350 - 70-72 LT1 **\$126⁹⁹**
- 29188** 68-72 A.I.R. Pump Pulley - 427/454 **\$126⁹⁹**
- 36542** 73-74 A.I.R. Pump Pulley - 454..... **\$107⁹⁹**
- 29191** 80-82 A.I.R. Pump Pulley..... **\$42⁹⁹**
- 29192** 68-82 A.I.R. Pump Pulley Spacer (68-72 & 77-82) **\$19⁹⁹**
- 29257** 68-80 A.I.R. Tube Check Valve (Replacement) **\$24⁹⁹**
- 32538** 68-82 Crankcase Ventilator Can - Mounts inside Engine.. **\$54⁹⁹**
- 29210** 69-74 Diverter Valve - Replacement - 350 **\$226⁹⁹**
- 33691** 69-79 Diverter Valve Gasket - 2 req'd **\$4⁹⁹**
- 33692** 80-82 Diverter Valve Gasket - 2 req'd **\$5⁹⁹**

- 33708** 72 Emission Hose Kit - 200 HP **\$6⁹⁹**
- 33709** 72 Emission Hose Kit - LT1 **\$10⁹⁹**
- 33710** 72 Emission Hose Kit - 270 HP **\$10⁹⁹**
- 33711** 73 Emission Hose Kit - 350 Manual **\$11⁹⁹**
- 33712** 73 Emission Hose Kit - 350 Auto **\$14⁹⁹**
- 33713** 73 Emission Hose Kit - 454 Manual **\$12⁹⁹**
- 33714** 73 Emission Hose Kit - 454 Auto **\$16⁹⁹**
- 33715** 74 Emission Hose Kit - L48 Manual **\$13⁹⁹**
- 33716** 74 Emission Hose Kit - L48 Auto **\$13⁹⁹**
- 33717** 74 Emission Hose Kit - L82 Manual **\$11⁹⁹**
- 33718** 74 Emission Hose Kit - L82 Auto **\$12⁹⁹**
- 33719** 74 Emission Hose Kit - 454 Manual **\$12⁹⁹**
- 33720** 74 Emission Hose Kit - 454 Auto **\$15⁹⁹**
- 33721** 75 Emission Hose Kit **\$21⁹⁹**
- 33722** 76 Emission Hose Kit - L48 exc Cal **\$23⁹⁹**
- 33723** 76 Emission Hose Kit - L82 & L48 NB2 **\$27⁹⁹**
- 33724** 77 Emission Hose Kit - L48 exc Cal **\$23⁹⁹**
- 33725** 77 Emission Hose Kit - L82 & L48 NB2 or NA6 **\$27⁹⁹**
- 33726** 78 Emission Hose Kit - L48 exc Cal **\$27⁹⁹**
- 33727** 78 Emission Hose Kit - L48 NA6 **\$33⁹⁹**
- 33728** 78 Emission Hose Kit - L82 & L48 NB2 **\$33⁹⁹**
- 33729** 79 Emission Hose Kit - L48 exc Cal **\$36⁹⁹**
- 33730** 79 Emission Hose Kit - L48 NA6 **\$33⁹⁹**
- 33731** 79 Emission Hose Kit - L82 & L48 NB2 **\$35⁹⁹**

1968-1982 EMISSIONS CONTROLS



- 51012** 75-76 EGR Valve w/ Gasket - w/ SHP **\$47⁹⁹**
- 51013** 75-76 EGR Valve w/ Gasket - Auto w/o SHP **\$69⁹⁹**
- 51014** 75-77 EGR Valve w/ Gasket - w/o SHP **\$79⁹⁹**
- 51015** 77-79 EGR Valve w/ Gasket - w/ SHP **\$109⁹⁹**
- 51018** 77-78 EGR Valve w/ Gasket - w/o SHP **\$59⁹⁹**
- 51021** 78-79 EGR Valve w/ Gasket - Auto w/ SHP **\$104⁹⁹**
- 51022** 78-79 EGR Valve w/ Gasket - w/ CA Emissions **\$99⁹⁹**
- 33695** 78 EGR Valve w/ Gasket - Auto w/o SPHP **\$54⁹⁹**
- 51019** 79 EGR Valve w/ Gasket - w/ High Altitude **\$79⁹⁹**
- 33696** 79-82 EGR Valve w/ Gasket - w/o SPHP exc 80-81 **\$54⁹⁹**
- 51020** 80-81 EGR Valve w/ Gasket - w/o SHP **\$79⁹⁹**
- 51016** 81 EGR Valve w/ Gasket **\$99⁹⁹**
- 51017** 82 EGR Valve w/ Gasket - w/ CA Emissions **\$109⁹⁹**
- 33698** 75-82 EGR Valve Gasket **\$3⁹⁹**
- 33699** 68-69 Emission Hose Kit - 3x2 **\$22⁹⁹**
- 33700** 68-69 Emission Hose Kit - 1x4 **\$6⁹⁹**
- 33701** 70 Emission Hose Kit - 300/350 HP **\$6⁹⁹**
- 33702** 70 Emission Hose Kit - 390 HP **\$8⁹⁹**
- 33703** 70 Emission Hose Kit - LT1 **\$10⁹⁹**
- 33704** 71 Emission Hose Kit - LT1 **\$10⁹⁹**
- 33705** 71 Emission Hose Kit - 270 HP **\$6⁹⁹**
- 33706** 71 Emission Hose Kit - 365 HP **\$5⁹⁹**
- 33707** 71 Emission Hose Kit - 425 HP **\$10⁹⁹**



PCV VALVES

- 32947** 68-72 PCV Valve - 68-69 427 3x2,
70-72 454 exc HD **\$4⁹⁹**
- 40913** 68 PCV Valve - 327 **\$4⁹⁹**
- 40914** 68-73 PCV Valve - 68 427 1x4, 70-72 LT1,
73 350/454 HP **\$5⁹⁹**
- 40915** 73 PCV Valve - All **\$4⁹⁹**
- 40916** 74-80 PCV Valve - L48 **\$4⁹⁹**
- 40917** 74-80 PCV Valve - L82 **\$4⁹⁹**
- 40918** 81-82 PCV Valve **\$4⁹⁹**
- 33456** 68-81 PCV Valve Cover Grommet - Steel Valve Cover **\$2⁹⁹**

Fast. Safe. Easy to Use.
www.CorvetteAmerica.com



1968-1973 SMALL BLOCK INTAKE MANIFOLDS

Add Power and Prolong Engine Life!

A direct replacement for stock manifolds on 1968-1973 Corvettes. Power+Plus Manifolds offer a unique dual-plane, 180-degree design for substantially increased power between idle and 5500 RPM for regular models and 1500 to 6500 RPM for High Performance Models. All models include a square bore carb adaptor plate and gasket for use with Holley or Edelbrock square bore carbs. Valve cover with oil filler required. Not compatible with Holley Spreadbore Carb. Choose from high-polish or satin finishes. Include dual distributor holddowns and four corner water outlets.

- 41760** 68-73 Small Block - Polished.....**\$224⁹⁹**
- 41761** 68-73 Small Block - Satin.....**\$169⁹⁹**

ENGINE - INTAKE & RELATED

- 32509** 68-82 Aluminum Intake Manifold Washer Set - 12 pc.....**\$3⁹⁹**
- 29269** 68-74 Engine Gasket Set - Big Block.....**\$99⁹⁹**
- 27585** 68-79 Engine Gasket Set - Small Block.....**\$59⁹⁹**
- 36546** 80-82 Engine Gasket Set.....**\$80⁹⁹**
- 29182** 68-70 Intake Manifold Bolt Set - 327/350.....**\$18⁹⁹**
- 29183** 71-82 Intake Manifold Bolt Set - 350.....**\$20⁹⁹**
- K1469** 68-74 Intake Manifold Bolt Set - 427/454 - "A".....**\$25⁹⁹**
- 33098** 68-74 Intake Manifold Bolt Set - 427/454 - "M".....**\$19⁹⁹**
- 27579** 68 Intake Manifold Gasket Set - Small Block.....**\$23⁹⁹**
- 29263** 69-72 Intake Manifold Gasket Set (Gray) - Small Block....**\$28⁹⁹**
- 29264** 73-82 Intake Manifold Gasket Set - 350.....**\$21⁹⁹**
- 29265** 68-72 Intake Manifold Gasket Set - 427/454 Sq Port.....**\$23⁹⁹**
- 29266** 68-72 Intake Manifold Gasket Set - 427/454 Oval Port....**\$24⁹⁹**
- 29267** 73-74 Intake Manifold Gasket Set - 454.....**\$17⁹⁹**
- 33072** 68-72 Intake Vacuum Fitting - AC or Auto.....**\$15⁹⁹**
- 33073** 68-69 Intake Vacuum Fitting - PB & AC or PB & Auto.....**\$15⁹⁹**
- 33074** 68-69 Intake Vacuum Fitting - AC & Auto.....**\$15⁹⁹**
- 33075** 68-69 Intake Vacuum Fitting - AC & Auto & PB.....**\$20⁹⁹**
- 33660** 68-69 Intake Vacuum Fitting - 400 HP w/ AC, 435 HP w/ Auto.....**\$19⁹⁹**
- 33661** 68-69 Intake Vacuum Fitting - 327 w/ PB, 400/435 HP w/ PB.....**\$17⁹⁹**
- 33662** 68-69 Intake Vacuum Fitting - 400 HP w/ PB & Auto, 400 HP w/ PB & AC.....**\$20⁹⁹**
- 33663** 69 Intake Vacuum Fitting - 350 w/ PB & Auto.....**\$19⁹⁹**
- 33664** 70-72 Intake Vacuum Fitting - 350 Auto.....**\$21⁹⁹**
- 33665** 70-72 Intake Vacuum Fitting - Manual w/ PB.....**\$20⁹⁹**
- 33666** 70 Intake Vacuum Fitting - 454 w/ PB & Auto.....**\$20⁹⁹**
- 33667** 71-73 Intake Vacuum Fitting - 454 Auto.....**\$16⁹⁹**
- 33668** 73-75 Intake Vacuum Fitting - All w/ Auto.....**\$18⁹⁹**
- 33669** 73-78 Intake Vacuum Fitting - All w/ Manual.....**\$25⁹⁹**

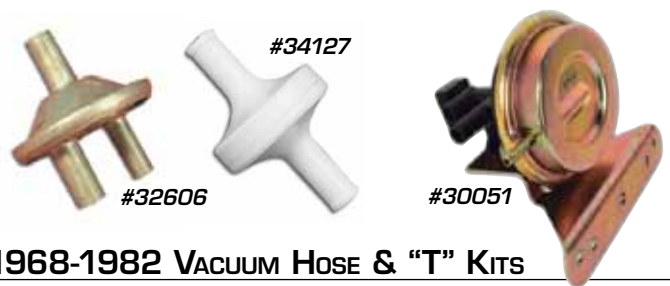


TUNE-UP KITS

Get all the components you need to perform a basic tune up and keep your Corvette performing at its best. A typical Tune Up Kit includes:

- Air Filter
- Oil Filter
- Distributor Cap
- Distributor Rotor
- Ignition Points
- Ignition Condensor
- Spark Plug Wires
- Spark Plugs

- 49590** 75 Tune-Up Kit.....**\$129⁹⁹**
- 49591** 76-77 Tune Up Kit.....**\$129⁹⁹**
- 49592** 78-81 Tune-Up Kit.....**\$134⁹⁹**
- 49593** 82 Tune-Up Kit.....**\$159⁹⁹**



1968-1982 VACUUM HOSE & "T" KITS

Restore your 1968-1982 Corvette headlamp and wiper door vacuum system. Kit includes all the hoses you need, and a complete schematic to assist you with installation.

- 0110** 68 Vacuum Hose & T Kit.....**\$75⁹⁹**
- 0111** 69 Vacuum Hose & T Kit.....**\$76⁹⁹**
- 0112** 70 Vacuum Hose & T Kit.....**\$91⁹⁹**
- 0113** 71-72 Vacuum Hose & T Kit.....**\$91⁹⁹**
- 0114** 73-79 Vacuum Hose & T Kit.....**\$55⁹⁹**
- 0115** 80-82 Vacuum Hose & T Kit.....**\$55⁹⁹**
- 25393** 68-82 Vacuum Hose Clip.....**\$5⁹⁹**
- 32606** 68-82 Vacuum Hose Check Valve.....**\$16⁹⁹**
- 34127** 68-82 Vacuum Hose Filter.....**\$8⁹⁹**
- 30051** 68-82 Vacuum Relay Valve - 2 req'd.....**\$49⁹⁹**

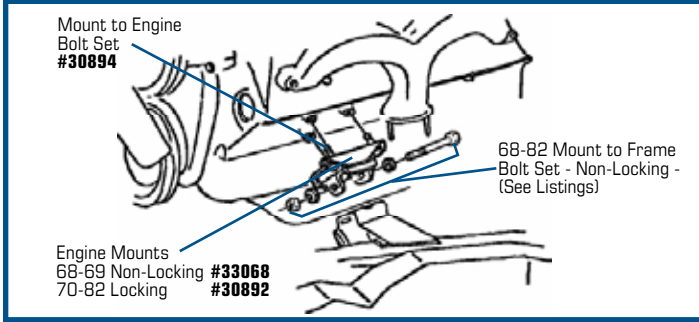
FIND MORE VACUUM SYSTEM COMPONENTS IN THE "LAMPS, LIGHTS AND LENSES" AND "WIPERS & WASHERS" SECTIONS.



Watch Corvette America's Manufacturing videos!

www.YouTube.com/CorvetteAmericaVideo

1968-1982 ENGINE MOUNT



ENGINE MOUNT & RELATED

30892	70-82 Engine Mount - Locking	\$17 ⁹⁹	
33068	68-69 Engine Mount - Non-Locking.....	\$26 ⁹⁹	
30893	68-69 Engine Mount to Frame Bolt Set - Non-Lock	\$10 ⁹⁹	
30894	68-82 Engine Mount to Engine Bolt Set - 6 pc.....	\$8 ⁹⁹	
30907	68-69 Engine Mount Bolt, Washer & Nut Set - 10 pc - incl. 2 Long Bolts, 2 Nuts, 2 Lock Nuts & 4 Washers.....	\$4 ⁹⁹	
43735	68-69 Engine Mount Heat Shield - LH - Big Block w/ AC..	\$12 ⁹⁹	
30896	68-74 Engine Pull Brackets, 427/454 - pr.....	\$22 ⁹⁹	
30895	68-70 Engine Pull Brackets, 327/350 - pr.....	\$22 ⁹⁹	
30897	71-82 Engine Pull Brackets, 350 - pr.....	\$22 ⁹⁹	
33069	68-74 Motor Mount Shim - BB w/ AC	\$10 ⁹⁹	



OIL SYSTEM

29163	68-69 Dipstick - 427 (Correct)	\$16 ⁹⁹
25761	70-74 Dipstick - 454	\$16 ⁹⁹
2344	68-74 Dipstick - 327/350 Black.....	\$29 ⁹⁹
29167	75-76 Dipstick - (76E 17 5/16" Cap to Full)	\$13 ⁹⁹
29168	76-79 Dipstick - (76L 20" Cap to Full)	\$12 ⁹⁹
2367	68-74 Dipstick Tube - Small Block - Tapered at Top as Original.....	\$12 ⁹⁹
28365	68-69 Dipstick Tube - 427 (Correct)	\$16 ⁹⁹
2336	68-74 Dipstick Tube - 327/350 - Chrome.....	\$10 ⁹⁹
2366	70-74 Dipstick Tube - 454 - 22 5/8".....	\$31 ⁹⁹
51202	68-74 Dipstick Tube - 327/350 - Unpainted.....	\$6 ⁹⁹
2366	70-74 Dipstick Tube - 454 - 22-5/8".....	\$31 ⁹⁹
29171	75-76 Dipstick Tube - (76E).....	\$18 ⁹⁹
27531	68-79 Dipstick Tube - Lower - 327/350 - in motor	\$12 ⁹⁹
27538	68-82 Oil Drain Plug	\$3 ⁹⁹
27539	68-82 Oil Drain Plug Gasket.....	\$5 ⁹⁹
27537	68-82 Oil Drain Plug w/ Gasket, Magnetic	\$5 ⁹⁹
28363	68-82 Oil Fill Cap - Chrome - Twist-In - Replacement	\$15 ⁹⁹
51152	68-82 Oil Fill Cap - Replacement	\$3 ⁹⁹
29162	71-76 Oil Fill Cap - Rubber Push In (71-72 350; 71-74 454).....	\$4 ⁹⁹
29158	68 Oil Fill Tube - 327 - Black.....	\$35 ⁹⁹
28361	68 Oil Fill Tube Cap - 327 - Chrome	\$9 ⁹⁹
28360	68 Oil Fill Tube Cap - 327 - Black.....	\$10 ⁹⁹
33634	68-82 Oil Filter Adapter Valve Assembly	\$13 ⁹⁹
51693	68-77 Oil Filter - PF-25 - Reproduction	\$22 ⁹⁹
27529	68-82 Oil Filter - PF-454 - Spin On	\$5 ⁹⁹
50467	68-82 K&N Oil Filter - Performance Gold	\$13 ⁹⁹
30629	82 Oil Filter & Pan Gasket Kit - Auto	\$28 ⁹⁹

33626	68-73 Oil Gauge Line Kit - Plastic - 327/350 & 68 427 ...	\$9 ⁹⁹
33628	69-73 Oil Gauge Line Kit - 427/454.....	\$31 ⁹⁹
36525	68 Oil Line Adapter Fitting - 425-435 HP.....	\$3 ⁹⁹
33630	69-71 Oil Line Adapter Fitting - 427/454 w/ HP	\$25 ⁹⁹
40893	68-74 Oil Line to Adapter Fitting - 427/454	\$4 ⁹⁹
33629	69-73 Oil Line to Block Fitting - 45° Brass Elbow 427/454 w/o HP	\$17 ⁹⁹
33631	69-72 Oil Line Bracket - 427/454	\$9 ⁹⁹
33627	68-73 Oil Line Fitting on Intake - 327/350 & 68 427.....	\$6 ⁹⁹
33632	68-74 Oil Line Grommet.....	\$4 ⁹⁹
33616	68-79 Oil Pan - 327/350 - Replacement	\$87 ⁹⁹
28371	68-74 Oil Pan - 396/427/454.....	\$187 ⁹⁹
33619	75-79 Oil Pan - L48	\$89 ⁹⁹
28373	68-74 Oil Pan Baffle - 396/427/454.....	\$19 ⁹⁹
33622	76-79 Oil Pan Baffle - L82	\$44 ⁹⁹
28374	68-74 Oil Pan Baffle Stud - 427/454	\$20 ⁹⁹
33623	69-80 Oil Pan Baffle Stud - 350 w/ SHP - 5 req'd.....	\$15 ⁹⁹
27535	68-82 Oil Pan Bolt Set - 18 pc - Small Block.....	\$12 ⁹⁹
28375	68-74 Oil Pan Bolt Set "L" - 427/454 - 24 pc	\$13 ⁹⁹
28376	68-74 Oil Pan Gasket Set - Big Block	\$17 ⁹⁹
27536	68-79 Oil Pan Gasket Set - Small Block Not for Replacement Pan	\$17 ⁹⁹
41734	68-79 Oil Pan Gasket Set - Small Block For Replacement Pan	\$18 ⁹⁹
33625	80-82 Oil Pan Gasket Set	\$19 ⁹⁹
36524	68-74 Oil Pan Reinforcement Set - 396/427/454	\$26 ⁹⁹
28369	68-82 Oil Pickup w/ Screen - Small Block - exc 76-79.....	\$21 ⁹⁹
33624	76-79 Oil Pickup w/ Screen	\$20 ⁹⁹
40892	68-73 Oil Pressure Line Fitting - Back of Gauge	\$15 ⁹⁹
33641	74-81 Oil Pressure Sender	\$35 ⁹⁹
30343	82 Oil Pressure Sender - 3 Blade Terminal	\$84 ⁹⁹
40895	74-79 Oil Pressure Sender Fitting - To Block.....	\$10 ⁹⁹
33642	74-79 Oil Pressure Switch.....	\$11 ⁹⁹
27582	68-76 Oil Pump - Standard - Small Block.....	\$28 ⁹⁹
27583	68-76 Oil Pump - High Pressure - Small Block	\$42 ⁹⁹
36544	68-71 Oil Pump Shaft - Big Block HP	\$16 ⁹⁹
36545	68-74 Oil Pump Shaft - Big Block - 68-71 exc HP - 72-74 All	\$19 ⁹⁹
35478	68-82 Oil Pump Shaft - 327/350.....	\$33 ⁹⁹
30345	81-82 Oil Temperature Sender Switch.....	\$99 ⁹⁹

PULLEYS & BALANCERS

36538	68	Crankshaft Balancer - 327/300, 350 HP - Rebuilt.....	\$149⁹⁹
27560	68	Crankshaft Balancer - 327 HP (Correct Finned)...	\$423⁹⁹
27561	68	Crankshaft Balancer - SHP - Replacement	\$104⁹⁹
30882	69	Crankshaft Balancer - 425/435 hp.....	\$278⁹⁹
30877	69-80	Crankshaft Balancer - 350 HP & SHP.....	\$125⁹⁹
30878	69-71	Crankshaft Balancer - 350 exc HP & SHP	\$139⁹⁹
30879	72-82	Crankshaft Balancer - 350 exc HP & SHP - Replacement	\$65⁹⁹
30881	68-69	Crankshaft Balancer - 390/400 HP	\$111⁹⁹
30883	70-72	Crankshaft Balancer - 454	\$251⁹⁹
30884	73-74	Crankshaft Balancer - 454	\$146⁹⁹
30885	68-74	Crankshaft Balancer Bolt/Washer Kit - 427/454 ..	\$11⁹⁹
27562	68-82	Crankshaft Balancer Bolt Kit - SHP	\$10⁹⁹
27570	68	Crank Shaft Pulley - Replacement - Lower 327/350 - 2 Groove 6 3/4" O.D.....	\$50⁹⁹
30866	68-74	Crankshaft Pulley - 327/350, exc HP	\$61⁹⁹
30868	68-74	Crankshaft Pulley - 350 w/ AC (#013) (68L).....	\$132⁹⁹
30869	69-80	Crankshaft Pulley - 6 5/8" - Double - 69-73 HP, 69-73 HP/SHP w/o AC, 74-80 w/o AC	\$50⁹⁹
30871	75-82	Crankshaft Pulley - 7 3/4" - Double	\$139⁹⁹
30874	68-74	Crankshaft Pulley - Double - 427/454.....	\$50⁹⁹
30870	68-74	Crankshaft Pulley - PS Add-On	\$50⁹⁹
30872	75-82	Crankshaft Pulley - PS Add-On Pulley.....	\$151⁹⁹
K1381	68	Crankshaft Pulley Mount Bolts - 327 - 3 pc.....	\$2⁹⁹
30887	68-74	Crankshaft Pulley Bolts - 427/454 - 3 pc.....	\$2⁹⁹
36536	68	Idler Pulley w/ Bracket - 427 w/ AC.....	\$241⁹⁹
30888	69-74	Idler Pulley w/ Bracket - 427/454 w/ AC.....	\$150⁹⁹
30889	68-74	Idler Pulley Adjusting Stud.....	\$16⁹⁹
36537	68-74	Idler Pulley Bearing.....	\$49⁹⁹
30890	68-74	Idler Pulley Mount Kit w/ PS	\$14⁹⁹
30891	68-74	Idler Pulley Mount Kit w/o PS.....	\$16⁹⁹
27553	68	Water Pump Pulley - Dual, 327 HP w/o AC.....	\$329⁹⁹
30855	68	Water Pump Pulley - Dual Groove, 427 w/o AC ..	\$137⁹⁹
51097	68	Water Pump Pulley - Dual w/ Idler - Chrome	\$109⁹⁹
30856	68-70	Water Pump Pulley - Double; 68-69 427, 68 300hp w/o AC, 69-70 350 Base w/o AC.....	\$92⁹⁹
40903	68-70	Water Pump Pulley - 327/350 w/ AC.....	\$79⁹⁹
30862	75-82	Water Pump Pulley - Double; 75-77 w/ AC 78-80 L48, 81-82 All, (6 1/4" diameter)	\$88⁹⁹
30863	68-70	Water Pump Pulley - Single - 427/350, 365 HP w/ AC, Smog Pump Add-On Pulley	\$209⁹⁹



#30826



#36526

36528	68-73	Starter Motor - 70-73 350 - Manual - Reman.	\$99⁹⁹
33648	70-72	Starter Motor w/ HD Clutch - Remanufactured....	\$113⁹⁹
33649	70-81	Starter Motor - 4 spd - Remanufactured	\$166⁹⁹
33650	70-77	Starter Motor - Auto - Remanufactured.....	\$126⁹⁹
33653	82	Starter Motor - Remanufactured	\$114⁹⁹
33065	68-79	Starter Motor Bolt - 1 27/32"	\$4⁹⁹
33066	68-81	Starter Motor Bolt - 3 5/8"	\$3⁹⁹
33067	68-81	Starter Motor Bolt - 4 21/32"	\$6⁹⁹
30821	68-69	Starter Motor Brace - 327/350	\$13⁹⁹
30822	70-82	Starter Motor Brace - 350	\$5⁹⁹
30824	68-74	Starter Motor Brace - 427/454	\$10⁹⁹
35082	68-74	Starter Motor Brace Screws - 427/454 - pr.....	\$5⁹⁹
29375	68-71	Starter Motor to Frame Ground Cable.....	\$32⁹⁹
29376	72-82	Starter Motor to Frame Ground Cable.....	\$32⁹⁹
36529	69-74	Starter Motor Heat Shield - 350	\$10⁹⁹
33654	68-81	Starter Solenoid.....	\$39⁹⁹
33655	82	Starter Solenoid - Delco.....	\$22⁹⁹
30823	68	Starter Solenoid Shield - 327/350	\$9⁹⁹
22554	68-74	Starter Solenoid Shield - 427/454	\$35⁹⁹
36530	75-82	Starter Solenoid Shield	\$10⁹⁹
40896	68-74	Starter Solenoid Shield Retainer Nut - 427/454....	\$5⁹⁹



#33092



#33088



#36543

TIMING CHAIN GEARS, COVERS, GASKETS & RELATED

35464	68-72	Dowel Pins for Timing Chain Cover - pr	\$2⁹⁹
37168	68-72	Timing Chain Cover - Chrome - Small Block	\$16⁹⁹
51102	68-74	Timing Chain Cover Kit - Chrome - Big Block.....	\$34⁹⁹
51096	68-82	Timing Chain Cover Kit - Chrome - Small Block	\$24⁹⁹
34963	68	Timing Chain Cover w/ Tab - 327 HP	\$69⁹⁹
36539	69-82	Timing Chain Cover - 350.....	\$52⁹⁹
36540	68-69	Timing Chain Cvr - 427 - 390 & 400 HP - Correct	\$82⁹⁹
36541	68-69	Timing Chain Cvr - 427 - 430 & 435 HP - Correct	\$78⁹⁹
33090	68-74	Timing Chain Cover - 427/454/396.....	\$29⁹⁹
32535	68-82	Timing Chain Cover Bolt Set - 10 pc - 327/350	\$7⁹⁹
33091	68-74	Timing Chain Cover Bolt Set - 10 pc - 427/454	\$7⁹⁹
33089	68-82	Timing Chain Cover Gasket Set - 327/350	\$17⁹⁹
33092	68-74	Timing Chain Cover Gasket Set - 427/454	\$17⁹⁹
33107	68-79	Timing Chain & Gears Set - Small Block	\$29⁹⁹
32539	68-79	Timing Chain & Gears Set - Double Roller - SB.....	\$29⁹⁹
36543	68-74	Timing Chain & Gear Set - 427/454	\$34⁹⁹
33088	68-69	Timing Chain Tab	\$18⁹⁹
35463	68-82	Timing Chain Tab - w/ 8" Balancer	\$4⁹⁹
50057	80-82	Timing Chain Cover Gasket Kit	\$23⁹⁹

1968-1982 STARTER

Solenoid - See listings

Starter Motor Brace
68-69 327/350 #30821
70-82 350 #30822
68-74 427/454 #30824

Starter Motor - See listings

Starter Solenoid Shield
68 327 #30823
68-74 427/454 #22554
69-74 350 #36529
75-82 #36530

STARTER

33087	68-82	Stater Bolt Shim Kit - 5 pc.....	\$6⁹⁹
30826	68-82	Battery Cable to Solenoid Clamp.....	\$16⁹⁹
36526	68-69	Starter Motor - 327/350 - Remanufactured	\$101⁹⁹

Join us on Facebook.

Watch our videos on YouTube.





VALVE COVERS - SMALL BLOCK

1927	69-77 Valve Cover - LH 350 w/ HP, SHP	\$146⁹⁹
1928	69-77 Valve Cover - RH 350 w/ HP, SHP	\$146⁹⁹
1929	73-80 Valve Cover - RH 77-80 exc SHP	\$74⁹⁹
33608	78-82 Valve Cover - Black - Aluminum - LH	\$151⁹⁹
33609	78-82 Valve Cover - Black - Aluminum - RH	\$151⁹⁹
33607	68-82 Valve Covers - Chrome Replacement - 350 - pr	\$39⁹⁹
33611	68-82 Valve Cover Bolts - Steel Covers - 8 pc	\$8⁹⁹
33422	68-82 Valve Cover Bolts - Aluminum Covers - 8 pc	\$8⁹⁹
33612	68-82 Valve Cover Bolt Reinforcements - 8 pc - Steel	\$9⁹⁹
0396	69-82 Valve Cover Emblem - Crossed Flags	\$8⁹⁹
27515	68-82 Valve Cover Gaskets - Cork - pr	\$10⁹⁹
33671	78-82 Valve Cover Grommet - LH	\$3⁹⁹
33672	78-82 Valve Cover Grommet - RH	\$2⁹⁹
33470	69-82 Vent Tube Grommet - LH - Aluminum Valve Cover	\$5⁹⁹



VALVE COVERS - BIG BLOCK

1968-71 (71 Early) Covers offer a beautiful chrome finish as original. They include drippers.

1851	68-74 Valve Covers w/ Drippers - Chrome - 427 Replacement - pr	\$109⁹⁹
1865	68-74 Valve Covers w/ Drippers - Orange - 427 Replacement - pr	\$119⁹⁹
K1462	68-69 Valve Cover Bolts - 427 - 14 pc set - "TR"	\$11⁹⁹
K1464	68-74 Valve Cover Bolts - 427/454 - 14 pc set - "RBW"	\$14⁹⁹
33615	68-74 Valve Cover Bolt Reinforcements - 14 pc	\$14⁹⁹
51326	68-74 Valve Cover Gaskets - 427/396 - pr - Correct	\$19⁹⁹
28358	68-74 Valve Cover Gaskets - 427/396 - pr	\$14⁹⁹



MISCELLANEOUS

50691	80-82 Air Cleaner Temperature Sensor	\$94⁹⁹
33105	Aluminum Blast Paint	\$13⁹⁹
33101	68-82 Cast Iron Blast Paint - Aerosol	\$10⁹⁹
33102	Cast Iron Blast Paint - Aerosol - Hi Temp	\$21⁹⁹
33104	68-82 Chevy Orange Hi-Temp	\$14⁹⁹
1598	68-77 Engine Paint - Orange	\$10⁹⁹

33106	Frame & Suspension Paint - Black	\$8⁹⁹
27581	68-82 Freeze Plug - Small Block - Correct	\$3⁹⁹
36547	68-74 Freeze Plug - Big Block - Correct	\$3⁹⁹
35479	68-82 Head Bolt Set - 327/350 - 1 Head	\$41⁹⁹
33100	68-74 Head Bolt Set - 427/396 "M"	\$76⁹⁹
42210	68-82 Head Gaskets - Small Block - pr	\$23⁹⁹
42207	68-82 Head Gasket - Small Block - 2 req'd	\$10⁹⁹
42211	68-74 Head Gaskets - Big Block - pr	\$44⁹⁹
50088	68-74 Head Gasket - Big Block - 2 req'd	\$22⁹⁹
30366	82 Manifold Absolute Pressure Sensor	\$69⁹⁹
33646	80-81 Oxygen Sensor	\$35⁹⁹
46811	81-82 Oxygen Sensor	\$39⁹⁹
30367	82 Oxygen Sensor	\$25⁹⁹
33635	68-71 Temperature Sending Unit	\$27⁹⁹
25792	68-71 Temperature Sending Unit Connector	\$8⁹⁹
33638	72-78 Temperature Sending Unit	\$25⁹⁹
51303	79-80 Temperature Sending Unit	\$25⁹⁹
33636	70-72 Temperature Sender in Head - 2 Slide Terminals	\$18⁹⁹
30346	79-82 Temperature Sensor - 1 Terminal	\$19⁹⁹
51304	80-81 Throttle Position Sensor (TPS) - 1980 w/ 305, 1981 All	\$99⁹⁹
25793	82 Throttle Position Sensor (TPS)	\$99⁹⁹
30368	82 Throttle Position Sensor Kit	\$104⁹⁹

ALSO SEE FIREWALL SPLASH SHIELDS IN "FRAME & BODY" SECTION.



FIREWALL INSULATION SETS

40873	68-75 Dash Sound Deadener - Upper	\$60⁹⁹
36769	68 Firewall Insulation Set	\$356⁹⁹
51745	68 Firewall Insulation Set - Replacement	\$189⁹⁹
36770	69 Firewall Insulation Set	\$356⁹⁹
51746	69 Firewall Insulation Set - Replacement	\$189⁹⁹
36771	70-72 Firewall Insulation Set	\$356⁹⁹
51747	70-72 Firewall Insulation Set - Replacement	\$189⁹⁹
36772	73-75 Firewall Insulation Set	\$434⁹⁹
51748	73-75 Firewall Insulation Set - Replacement	\$189⁹⁹
36773	76-79 Firewall Insulation Set	\$434⁹⁹
51749	76-79 Firewall Insulation Set - Replacement	\$189⁹⁹
51750	80-82 Firewall Insulation Set - Replacement	\$189⁹⁹



CORVETTE FENDER GRIPPERS

Protect your paint when you're under the hood. Made from a non-slip material so your tools will not slip off the fender gripper. Completely washable and impervious to motor oil, so clean up is a snap!

46491	C1 Logo Fender Gripper	\$26⁹⁹
46493	C2 Logo Fender Gripper	\$26⁹⁹
46495	C3 Logo Fender Gripper	\$26⁹⁹

EXHAUST

MANIFOLDS & RELATED

Various original production dates available. Ask for specific information on casting numbers and applications.

- 20865** 68-69 Exh. Manifold - LH - 427 w/o A.I.R. - Dated **\$356⁹⁹**
- 20866** 68-69 Exh. Manifold - LH - 427 w/ A.I.R. - Dated **\$406⁹⁹**
- 43544** 70-74 Exh. Manifold - LH - 454 BB **\$174⁹⁹**
- 43739** 68-74 Exh. Manifold - RH - 427/454 Replacement **\$179⁹⁹**
- 20867** 70-74 Exh. Manifold - LH - 454 w/o A.I.R. - Dated **\$410⁹⁹**
- 20868** 68-74 Exh. Manifold - RH - 427/454 w/o A.I.R. - Dated **\$356⁹⁹**
- 20869** 68-74 Exh. Manifold - RH - 427/454 w/ A.I.R. - Dated .. **\$407⁹⁹**
- 33732** 70-71 Exh. Manifold - LH - 350 w/o HP **\$149⁹⁹**

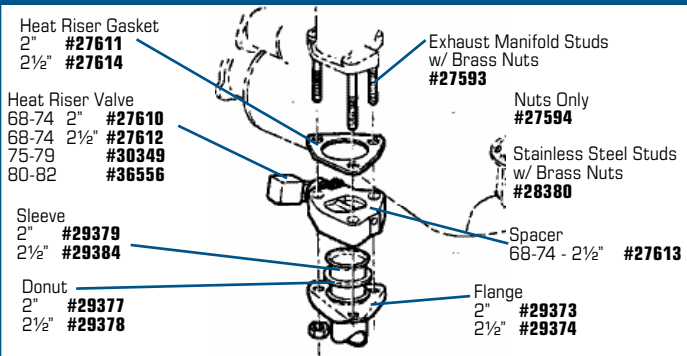


- 33733** 68-80 Exh. Manifold - 68-71 RH 350 All, 72-80 LH & RH 350 All - has A.I.R. Holes **\$159⁹⁹**
- 33110** 68-74 AC Compressor/Exhaust Manifold Mounting Studs - 427/454 - pr **\$8⁹⁹**
- 33734** 68-82 Emission Hole Plugs for Exh. Manifolds - 8 pc **\$22⁹⁹**
- 29364** 68-74 Exhaust Manifold Bolt Set - Big Block **\$19⁹⁹**
- 29370** 68-74 Exhaust Manifold Bolt Set - Big Block w/ PS **\$24⁹⁹**
- 29371** 68-74 Exhaust Manifold Bolt Set - 427/454 w/ AC **\$29⁹⁹**
- 29372** 68-74 Exhaust Manifold Bolt Set - 427/454 w/ PS&AC... **\$33⁹⁹**
- 29363** 68-74 Exhaust Manifold Bolt Set - Small Block w/ AC **\$27⁹⁹**
- 27596** 68-79 Exhaust Manifold Bolt Set - Small Block w/o AC - 12 pc **\$15⁹⁹**



- 29361** 68-80 Exhaust Manifold Gasket Set - Small Block **\$11⁹⁹**
- 29362** 68-74 Exhaust Manifold Gasket Set - Big Block **\$14⁹⁹**
- 28382** 68-79 Exhaust Manifold Lock Set - 327 - SS **\$16⁹⁹**
- 35499** 68-74 Exhaust Manifold Nuts - Top Lock Style - 6 pc set **\$6⁹⁹**
- 27593** 68-78 Exhaust Manifold Studs w/ Brass Nuts - 12 pc **\$12⁹⁹**
- 28380** 68-78 Exhaust Manifold Studs w/ Brass Nuts - SS **\$29⁹⁹**
- 27594** 68-79 Exhaust Manifold Stud Brass Nut Set - 6 pc **\$6⁹⁹**
- 27597** 68-80 Exhaust Manifold Bolt Washers - 8 pc set **\$6⁹⁹**

1968-1982 HEAT RISER



- 29377** 68-82 Exhaust Donut - 2" **\$2⁹⁹**
- 29378** 68-74 Exhaust Donut - 2.5" **\$3⁹⁹**
- 29379** 68-82 Exhaust Donut Sleeve - 2" **\$6⁹⁹**
- 29384** 68-82 Exhaust Donut Sleeve - 2.5" **\$6⁹⁹**

- 27610** 68-74 Exhaust Heat Riser Valve - 2" **\$42⁹⁹**
- 27612** 68-74 Exhaust Heat Riser Valve - 2.5" **\$47⁹⁹**
- 30349** 75-79 Exhaust Heat Riser Valve w/ Stock Exhaust **\$49⁹⁹**
- 36556** 80-82 Exhaust Heat Riser Valve w/ Vacuum Actuator **\$104⁹⁹**
- 27611** 68-74 Exhaust Heat Riser Valve Gasket - 2" **\$2⁹⁹**
- 27614** 68-74 Exhaust Heat Riser Valve Gasket - 2.5" **\$2⁹⁹**
- 51322** 68-74 Exhaust Heat Valve Spacer - 2" w/o Fl **\$36⁹⁹**
- 27613** 68-74 Exhaust Heat Valve Spacer - 2.5" w/ Fl **\$31⁹⁹**
- 33111** 68-69 Exhaust Pipe Clamp - 2" Original Style **\$3⁹⁹**
- 33112** 68-69 Exhaust Pipe Clamp - 2.5" Original Style **\$4⁹⁹**
- 33735** 68-82 Exhaust Pipe Clamp - 2" Heavy Duty **\$4⁹⁹**
- 33736** 68-82 Exhaust Pipe Clamp - 2.25" Heavy Duty **\$4⁹⁹**
- 33737** 68-82 Exhaust Pipe Clamp - 2.5" Heavy Duty **\$4⁹⁹**
- 33738** 75-82 Exhaust Pipe Clamp - 2.75" Heavy Duty **\$3⁹⁹**
- 32552** 68-82 Exhaust Pipe Clamp - 2" Stainless Steel **\$6⁹⁹**
- 33114** 68-82 Exhaust Pipe Clamp - 2.5" Stainless Steel **\$8⁹⁹**
- 29373** 68-74 Exhaust Pipe Flange - 2" **\$4⁹⁹**
- 29374** 68-74 Exhaust Pipe Flange - Flat Type - 2.5" **\$6⁹⁹**
- 33739** Exhaust Pipe Sealer - 6 oz Tube **\$3⁹⁹**

MANIFOLD DRESSING

One easy application restores your manifold to like-new appearance. Withstands temperatures up to 2400°.

- 1000** Manifold Dressing..... **\$14⁹⁹**



CATALYTIC CONVERTERS

- 51439** 75 Catalytic Converter - w/o Oxygen Sensor Tube **\$169⁹⁹**
- 25549** 76-81 Catalytic Converter **\$154⁹⁹**
- 25547** 81 Catalytic Converter - w/ Oxygen Sensor Tube **\$192⁹⁹**
- 31613** 82 Catalytic Converter **\$155⁹⁹**
- 34318** 82 Catalytic Converter Air Tube Kit **\$10⁹⁹**

CATALYTIC CONVERTER HANGER KITS

Kits include Hanger, Clamps and Bolts.

- 25594** 75-78 Catalytic Converter Hanger Kit - 75-77 All, 78 L48 **\$49⁹⁹**
- 32559** 75-78 Rear Catalytic Converter Hanger Kit - 2" - 76-77 All, 78 L48, 75 Repl. (For 75, drilling Crossmember req'd) - w/ Correct Rubber Material for Heat Resistance .. **\$49⁹⁹**
- 25595** 78-82 Catalytic Converter Hanger Kit - 78 L82, 79-81 All **\$49⁹⁹**
- 32560** 78-82 Rear Catalytic Converter Hanger - 2.5" - 78 L82, 79-82 All - w/ Correct Rubber Material for Heat Resistance..... **\$49⁹⁹**
- 32561** 75-82 Catalytic Converter Hanger Mount Bolt Kit..... **\$7⁹⁹**

1968-1982 CHAMBERED EXHAUST SYSTEMS

Enjoy the sound of a C3 Corvette equipped with a chambered exhaust system. These dual exhaust kits bolt up to the stock manifolds and route just like the stock system. Includes brackets for hanger and clamps.

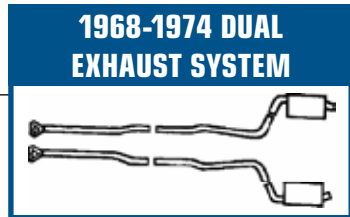
- 32327** 68-69 Chambered Exhaust System - BB - 2.5" - 4 spd .. **\$399⁹⁹**
- 32328** 68-69 Chambered Exhaust System - BB - 2.5" - Auto **\$399⁹⁹**
- 32326** 68-72 Chambered Exhaust System - 2" Manifolds - High Perf - 2.5" - 4 spd **\$399⁹⁹**
- 32325** 68-72 Chambered Exhaust System - 2" Manifolds - High Perf - 2.5" - Auto **\$399⁹⁹**
- 32329** 70-72 Chambered Exhaust System - BB - 2.5" - 4 spd .. **\$399⁹⁹**
- 32330** 70-72 Chambered Exhaust System - BB - 2.5" - Auto **\$399⁹⁹**



32331	73	Chambered Exhaust System - 2" Manifolds - High Perf. - 2.5" - Auto.....	\$399⁹⁹
32333	73	Chambered Exhaust System - 2" Manifolds - High Perf. - 2.5" - 4 spd.....	\$399⁹⁹
32334	73	Chambered Exhaust System - BB - 2.5" - 4 spd.....	\$399⁹⁹
32335	73	Chambered Exhaust System - BB - 2.5" - Auto.....	\$399⁹⁹
32336	74-79	Chambered Exhaust System - High Perf. - 2.5" - Auto.....	\$399⁹⁹
32337	74-79	Chambered Exhaust System - High Perf. - 2.5" - 4 spd.....	\$399⁹⁹
32338	80-82	Chambered Exhaust System - 2.5" - Off-Road Use Only.....	\$524⁹⁹

ALUMINIZED EXHAUST SYSTEMS

Corvette America Aluminized Mufflers & Exhaust Pipes, made of long-lasting aluminized steel (65% Stainless Steel, 25% Aluminum, 10% Carbon) are the correct size and fit for your Corvette. We also offer complete Exhaust Systems that include header pipe flanges, sleeves, donut gaskets, clamps and mufflers.



1968-1974 DUAL EXHAUST SYSTEM

1968-1974 DUAL EXHAUST SYSTEMS - ALUMINIZED

1968-73 factory exhaust systems came with the secondary pipe welded to the muffler. Our Exhaust Systems are manufactured this way for originality, and ease of handling and installation. Original 1973-78 mufflers were round, thus visible below the rear valance. We offer your choice of Original Style round mufflers or Low Profile oval mufflers that are not as visible when installed.

BIG BLOCK SYSTEMS W/ WELDED SECONDARY PIPE & MUFFLER

36569	68	427 - 4 spd - 2.5".....	\$347⁹⁹
36570	68	427 - Auto - 2.5".....	\$362⁹⁹
36571	69	427 - 4 spd - 2.5" to 2".....	\$340⁹⁹
36572	69	427 - Auto - 2.5" to 2".....	\$324⁹⁹
36573	70-72	454 - 4 spd - 2.5".....	\$359⁹⁹
36574	70-72	454 - Auto - 2.5".....	\$330⁹⁹
36575	73	454 - 4 spd - 2.5".....	\$341⁹⁹
36576	73	454 - Auto - 2.5".....	\$451⁹⁹

BIG BLOCK SYSTEMS W/ SEPARATE SECONDARY PIPE & MUFFLER

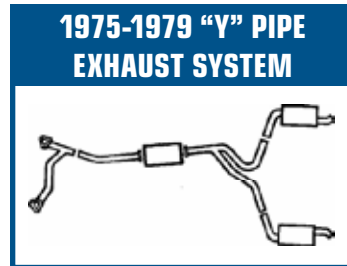
36557	68	427 - 4 spd - 2.5".....	\$339⁹⁹
36558	68	427 - Auto - 2.5".....	\$339⁹⁹
36559	69	427 - 4 spd - 2.5" to 2".....	\$326⁹⁹
36560	69	427 - Auto - 2.5" to 2".....	\$326⁹⁹
36561	70-72	454 - 4 spd - 2.5".....	\$321⁹⁹
36562	70-72	454 - Auto - 2.5".....	\$321⁹⁹
36563	73	454 - 4 spd - 2.5".....	\$316⁹⁹
36564	73	454 - Auto - 2.5".....	\$317⁹⁹
36565	74	454 - 4 spd - 2.5" - Round Mufflers.....	\$349⁹⁹
36566	74	454 - Auto - 2.5" - Round Mufflers.....	\$316⁹⁹
36567	74	454 - 4 spd - 2.5" - Low Profile Mufflers.....	\$299⁹⁹
36568	74	454 - Auto - 2.5" - Low Profile Mufflers.....	\$339⁹⁹

SMALL BLOCK SYSTEMS W/ WELDED SECONDARY PIPE & MUFFLER

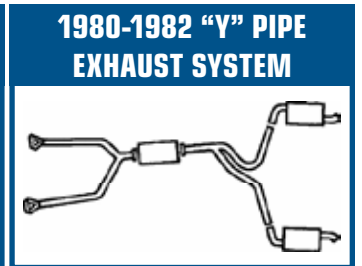
36585	68-72	327/350 - 4 spd Hi Perf - 2" to 2.5".....	\$324⁹⁹
36586	68-72	327/350 - Auto Hi Perf - 2" to 2.5".....	\$340⁹⁹
36587	69-72	350 - 4 spd - 2".....	\$333⁹⁹
36588	69-72	350 - Auto - 2".....	\$359⁹⁹
36589	73	350 - 4 spd Hi Perf - 2" to 2.5".....	\$352⁹⁹
36590	73	350 - Auto Hi Perf - 2" to 2.5".....	\$352⁹⁹
36591	73	350 - 4 spd - 2".....	\$312⁹⁹
36592	73	350 - Auto - 2".....	\$321⁹⁹

SMALL BLOCK SYSTEMS W/ SEPARATE SECONDARY PIPE & MUFFLER

36577	68-72	327/350 - 4 spd Hi Perf - 2" to 2.5".....	\$308⁹⁹
36578	68-72	327/350 - Auto Hi Perf - 2" to 2.5".....	\$307⁹⁹
36579	69-72	350 - 4 spd - 2".....	\$307⁹⁹
36580	69-72	350 - Auto - 2".....	\$307⁹⁹
36581	73	350 - 4 spd Hi Perf - 2" to 2.5".....	\$332⁹⁹
36582	73	350 - Auto Hi Perf - 2" to 2.5".....	\$332⁹⁹
36583	73	350 - 4 spd - 2".....	\$311⁹⁹
36584	73	350 - Auto - 2".....	\$312⁹⁹
36593	74	L82 - 4 spd - 2" to 2.5" - Round Mufflers.....	\$325⁹⁹
36594	74	L82 - Auto - 2" to 2.5" - Round Mufflers.....	\$309⁹⁹
36595	74	350 - 4 spd - 2" - Round Mufflers.....	\$311⁹⁹
36596	74	350 - Auto - 2" - Round Mufflers.....	\$312⁹⁹
36597	74	L82 - 4 spd - 2" to 2.5" - Low Profile Mufflers.....	\$299⁹⁹
36599	74	350 - 4 spd - 2" - Low Profile Mufflers.....	\$307⁹⁹
36600	74	350 - Auto - 2" - Low Profile Mufflers.....	\$307⁹⁹



1975-1979 "Y" PIPE EXHAUST SYSTEM



1980-1982 "Y" PIPE EXHAUST SYSTEM

1975-82 Y-PIPE EXHAUST SYSTEMS - ALUMINIZED

Systems include header pipe flanges, sleeves, donut gaskets, clamps, mufflers and a high-efficiency catalytic converter. Original 1975-1978 mufflers were round, and thus visible below the rear valance. We offer your choice of Original Style round mufflers, or Low Profile oval mufflers that are not as visible when installed.

EXHAUST SYSTEMS W/ ORIGINAL-STYLE ROUND MUFFLERS

36601	75	4 spd - w/ Converter*.....	\$531⁹⁹
36602	75	Auto - w/ Converter*.....	\$531⁹⁹
36603	76	w/ A. I. R. - w/ Converter*.....	\$499⁹⁹
36604	76	w/o A. I. R. - w/ Converter*.....	\$531⁹⁹
36605	77	All - w/ Converter*.....	\$531⁹⁹
36606	78	L48 - w/ Converter*.....	\$531⁹⁹

EXHAUST SYSTEMS W/ LOW PROFILE MUFFLERS

36612	75-76	w/ A. I. R.	\$494⁹⁹
36613	75-76	w/o A. I. R.	\$494⁹⁹
36614	77	All	\$479⁹⁹
36615	78	L48	\$519⁹⁹
36607	78	L82 - w/ Converter*.....	\$529⁹⁹
36608	79	All - w/ Converter*.....	\$528⁹⁹
36609	80	All - w/ Converter*.....	\$529⁹⁹
36610	81	All - w/ Converter* - 81E.....	\$530⁹⁹
36630	81	All - w/ Converter* - 81L.....	\$530⁹⁹
36611	82	All - w/ Converter*.....	\$681⁹⁹

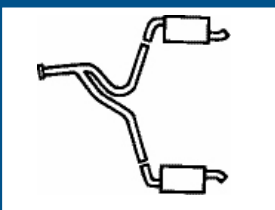
*Not legal in CA.

1975-1982 CAT-BACK EXHAUST SYSTEMS

Pipes and mufflers from the catalytic converter back (excludes converter). Same great fitting quality components as our complete systems. Clamps and hangers sold separately.

- 36620** 75 Round Mufflers **\$258⁹⁹**
- 36621** 76-77 Round Mufflers **\$265⁹⁹**
- 36622** 78 L48 - Round Mufflers **\$259⁹⁹**
- 36623** 78-81 Low Profile Mufflers **\$280⁹⁹**
- 36624** 82 Low Profile Mufflers **\$280⁹⁹**

1975-1982 CAT-BACK EXHAUST SYSTEM



1975-1979 DUAL-EXHAUST CONVERSION SYSTEMS

For off-road use only. These systems allow you to convert your Y-Pipe system to a true dual exhaust system.

- 36616** 75-79 L82 - 4 spd - 2" to 2.5" - Low Profile Mufflers **\$345⁹⁹**
- 36617** 75-79 L82 - Auto - 2" to 2.5" - Low Profile Mufflers **\$314⁹⁹**
- 36618** 75-79 350 - 4 spd - 2" - Low Profile Mufflers **\$307⁹⁹**
- 36619** 75-79 350 - Auto - 2" - Low Profile Mufflers **\$307⁹⁹**

EXHAUST PIPE SETS

Replaced your mufflers already? Now you need pipes? Look no further than these quality, aluminized pipe sets. Individual pipes available—please speak to your Sales Representative.

- 22415** 68 Exhaust Pipes - 427 4 spd - 2.5" set **\$258⁹⁹**
- 22416** 68 Exhaust Pipes - 427 Automatic 2.5" set **\$229⁹⁹**
- 22414** 68-73 Exhaust Pipes - 327 - 350 Auto HP 2" to 2.5" set **\$259⁹⁹**
- 22421** 68-73 Exhaust Pipes - 350 4 spd - 2" to 2.5" set **\$244⁹⁹**
- 22419** 69 Exhaust Pipes - 427 4 spd - 2.5" to 2" set **\$229⁹⁹**
- 22420** 69 Exhaust Pipes - 427 Automatic 2.5" to 2" set **\$258⁹⁹**
- 22417** 69-73 Exhaust Pipes - 350 4 spd - 2" set **\$229⁹⁹**
- 22418** 69-73 Exhaust Pipes - 350 Automatic 2" set **\$256⁹⁹**
- 22422** 70-73 Exhaust Pipes - 454 4 spd - 2.5" set **\$264⁹⁹**
- 22423** 70-73 Exhaust Pipes - 454 Automatic 2.5" set **\$259⁹⁹**
- 22426** 74 Exhaust Pipes - L82 4 spd - 2" to 2.5" set **\$244⁹⁹**
- 22427** 74 Exhaust Pipes - L82 Automatic 2" to 2.5" set **\$258⁹⁹**
- 22428** 74 Exhaust Pipes - 454 4 spd - 2.5" set **\$235⁹⁹**
- 22429** 74 Exhaust Pipes - 454 Automatic 2.5" set **\$259⁹⁹**
- 22424** 74-79 Exhaust Pipes - 350 4 spd - 2" set **\$275⁹⁹**
- 22425** 74-79 Exhaust Pipes - 350 Automatic 2" set **\$256⁹⁹**
- 34525** 75-76 Exhaust Pipes - "Y" Pipe System - 76 w/ A.I.R. pump **\$284⁹⁹**
- 34526** 76-78 Exhaust Pipes - "Y" Pipe System - 76 w/o A.I.R., 77 All, and 78 L48 **\$253⁹⁹**
- 34527** 78-79 Exhaust Pipes - "Y" Pipe System - 78 L82 & 79 All **\$257⁹⁹**
- 34528** 80-81 Exhaust Pipes - "Y" Pipe System **\$325⁹⁹**
- 34529** 82 Exhaust Pipes - "Y" Pipe System **\$335⁹⁹**
- 41872** 75-79 Exhaust Pipes - Front "Y" - 2 pc **\$156⁹⁹**
- 41873** 75-79 Exhaust Pipe - Front "Y" only **\$100⁹⁹**
- 41874** 75-79 Exhaust Pipe - Front "Y" - Extension **\$46⁹⁹**
- 41875** 80 Exhaust Pipe - Front "Y" - 350 **\$167⁹⁹**
- 41876** 80-81 Exhaust Pipe - Front "Y" - (80 305) **\$167⁹⁹**
- 29328** 78-81 Exhaust Pipe Upper Center Support **\$167⁹⁹**
- 39877** 75 Rear "Y" Pipe Only **\$169⁹⁹**
- 38913** 76-78 Rear "Y" Pipe Only - 78 L48 **\$136⁹⁹**
- 38914** 78-81 Rear "Y" Pipe Only - 78 L82 **\$135⁹⁹**
- 38915** 82 Rear "Y" Pipe Only **\$159⁹⁹**



1968-1982 MUFFLERS - ALUMINIZED

Original 1973-78 mufflers were round mufflers that were visible below the rear valance. Our Low Profile Mufflers are an oval muffler that tuck under the car and are not as visible.

- 41953** 68-73 Mufflers - 2" (73 Replacement) - pr **\$158⁹⁹**
- 41954** 68-73 Mufflers - 2.5" (73 Replacement) - pr **\$167⁹⁹**
- 41960** 73 Mufflers - 2" Round (Original Style) - pr **\$141⁹⁹**
- 41961** 73 Mufflers - 2.5" Round (Original Style) - pr **\$145⁹⁹**
- 41962** 74 Mufflers - 2" Round (Original Style) - pr **\$183⁹⁹**
- 41963** 74 Mufflers - 2.5" Round (Original Style) - pr **\$164⁹⁹**
- 41964** 75-77 Mufflers - 2.25" Round (Original Style) - pr **\$163⁹⁹**
- 41955** 74-79 Mufflers - 2" Oval - Low Profile - pr **\$173⁹⁹**
- 41956** 74-78 Mufflers - 2.5" Oval - Low Profile - pr **\$163⁹⁹**
- 41957** 75-77 Mufflers - 2.25" Oval - Low Profile - pr **\$163⁹⁹**
- 41958** 78 Mufflers - 2.25" - pr **\$163⁹⁹**
- 41959** 78-82 Mufflers - 2.5" - pr **\$173⁹⁹**



DYNOMAX SUPER TURBO MUFFLERS & CAT-BACK EXHAUST SYSTEMS

Get DynoMax performance with aluminized construction. Looks great and lasts for years. Super Turbo Mufflers feature large internal tubes for maximum flow and patented flow directors to eliminate turbulence.

- 51393** 70-73 Dynomax Super Turbo Mufflers - pr **\$349⁹⁹**
- 25394** 74-82 Dynomax Super Turbo Mufflers - pr **\$299⁹⁹**
- 51394** 78-81 Dynomax Super Turbo Cat.-Back System **\$299⁹⁹**

1968-1972 MUFFLER HANGERS

Muffler Hangers 68-72 - pair **#29329**

1974-1977 MUFFLER HANGERS

Muffler Hangers 74 - pair **#29333**

Muffler Hangers 75-77 - pair **#29334**

MUFFLER HANGERS

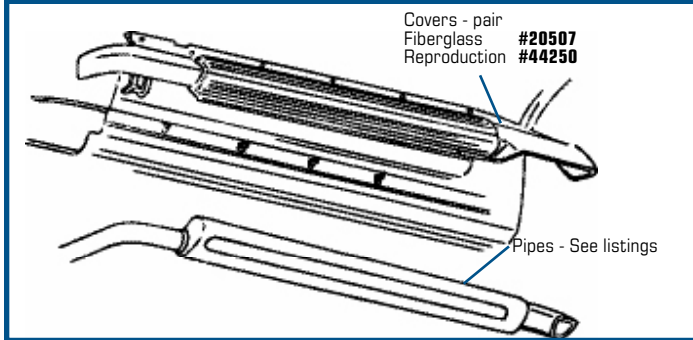
- 40919** 68-74 Center Exhaust Hanger Bracket - 2" - Auto **\$39⁹⁹**
- 36627** 68-78 Center Exhaust Hanger Bracket - 2.5" - Auto **\$41⁹⁹**
- 28378** 68-75 Center Exhaust Hanger Bracket - 2" - Manual **\$24⁹⁹**
- 28379** 68-77 Center Exhaust Hanger Bracket - 2.5" - Man **\$22⁹⁹**
- 2183** 68-72 Exhaust Hanger Kit - 2.5" - Pipe **\$54⁹⁹**
- 40920** 76-79 Front Pipe Hanger Bracket - 76-78 4 spd, 79 All **\$24⁹⁹**
- 29329** 68-72 Muffler Hangers w/ Mounting Hardware - pr **\$27⁹⁹**
- 29332** 73 Muffler Hangers - pr **\$33⁹⁹**
- 29333** 74 Muffler Hangers - pr **\$30⁹⁹**
- 29334** 75-77 Muffler Hangers - pr **\$30⁹⁹**
- 29360** 78-82 Muffler Hangers & Brackets - pr **\$30⁹⁹**



EXHAUST TIPS & BEZELS

2141	68-69	Exhaust Bezels - Chrome - pr	\$70⁹⁹
23007	68-69	Exhaust Bezels - Polished Stainless Steel - pr	\$84⁹⁹
X2001	68-69	Exhaust Extensions - Stainless Steel - pr	\$44⁹⁹
K1151	68-69	Exhaust Bezel Screws & J-Nuts - 16 pc set	\$3⁹⁹
X2002	70-72	Exhaust Extensions - Stainless Steel - pr	\$49⁹⁹
X2018	70-73	Exhaust Bezels - Chrome - SS - pr	\$74⁹⁹
X2019	70-73	Exhaust Bezels - Polished Stainless Steel - pr	\$79⁹⁹
K1152	70-73	Exhaust Bezel Screws & J-Nuts - 16 pc set	\$3⁹⁹
X2003	73	Exhaust Extensions - Stainless Steel - pr	\$49⁹⁹
X2433	74-82	Exhaust Extensions - Stainless Steel - Straight w/ Beveled Ends - pr	\$34⁹⁹
32373	74-82	Exhaust Extensions - Stainless Steel - Curved w/ Straight Ends - pr	\$78⁹⁹

1968-1982 SIDE EXHAUST (1969-STYLE)



1969-STYLE SIDE EXHAUST PIPES & COVERS

Reproduction Covers offer the same gleaming chrome look as the factory option covers while Fiberglass covers can be painted to look like the original style cover or to match your Corvette's exterior.

*Please Note: Reproduction Covers (#44250) are Hand-Wash Only. They are not warranted by the Manufacturer against corrosion or peeling.

44250	69	Reproduction Side Exhaust Covers - pr	\$2449⁹⁹
20507	68-82	69-Style Fiberglass Side Exhaust Covers - pr	\$325⁹⁹
36548	68-74	Side Exhaust Pipes - 327/350 - Aluminized - Loud - pr	\$499⁹⁹
36549	68-69	Side Exhaust Pipes - 427 - Aluminized - Loud - pr	\$499⁹⁹
36550	70-74	Side Exhaust Pipes - 454 - Aluminized - Loud - pr	\$499⁹⁹
36551	69	Side Exhaust Cover Rear Brace - LH	\$18⁹⁹
36552	69	Side Exhaust Cover Rear Brace - RH	\$18⁹⁹
36553	69	Side Exhaust Pipe Mount Hardware Kit	\$32⁹⁹
36555	69	Side Exhaust Pipe Rear Insulator - 4 req'd.	\$6⁹⁹
34982	68-82	Transmission Spacer w/ Side Exhaust	\$5⁹⁹

1968-1974 SIDE EXHAUST PIPES

32347	68-74	Small Block - 2" - Aluminized - Stock GM Sound	\$499⁹⁹
46744	68-74	Small Block - 2" - Aluminized - Quiet	\$599⁹⁹
32348	68-69	Big Block - 2.5" - Aluminized - Stock GM Sound	\$499⁹⁹
32349	70-74	Big Block - 2.5" - Aluminized - Stock GM Sound	\$499⁹⁹



1968-1974 COMPLETE SIDE EXHAUST KITS

Replace your stock components or convert your standard exhaust to side pipes with great sound and a great look! Our 1968-1974 kits include: aluminized pipes, fiberglass side exhaust covers (paint any color or paint them silver to resemble the factory look) and all necessary installation hardware. Additional shipping charges apply.

43114	68-74	Small Block	\$879⁹⁹
43115	68-69	Big Block	\$889⁹⁹
43116	70-74	Big Block	\$889⁹⁹



EXTERIOR TRIM



1978 PACE CAR DECAL KIT

Exact reproductions of the factory-supplied decals at a fraction of the original cost. Kits are on 3M vinyl and manufactured to General Motors' specifications. Kit includes:

- 2 Pace Car Door Decals
- 2 "Limited Edition" Fender Decals
- 2 Indy Speedway Quarter Panel Decals
- 1 Front Bumper Stripe
- 2 Front Fender Stripes
- 2 Door Stripes
- 2 Rear Quarter Panel Stripes
- 1 Rear Bumper Stripe
- 1 Hood Stripe
- Squeegee and Instructions

43419 78 Pace Car Decal Kit..... **\$339⁹⁹**



SILVER ANNIVERSARY CAR DECAL KIT

Exact reproductions of the factory-supplied decals at a fraction of the original cost. Kits are on 3M vinyl and manufactured to General Motors' specifications. Kit includes:

- 1 Front Bumper Stripe
- 4 Front Fender Stripes
- 2 Front Fender Air Extractor Stripes
- 2 Door Stripes
- 4 Rear Quarter Panel Stripes
- 1 Rear Bumper Stripe
- 1 License Plate Frame Stripe
- 2 Mirror Stripes
- 1 Hood Stripe
- Squeegee and Instructions

43420 Silver Anniversary Decal Kit..... **\$339⁹⁹**



1982 COLLECTOR EDITION DECAL KIT

This high-quality 38-piece Decal Kit is reproduced from the original factory decals. Includes all decals, squeegee and instructions.

43429 82 Collector Edition Decal Kit..... **\$1299⁹⁹**



1970-1972 LT1 HOOD DECALS & STENCIL KITS

Exact reproductions of the GM original LT1 Hood decals. Decal does one side of hood (2 req'd).

43423 70 LT1 Hood Decal - Black/Silver - 2 req'd..... **\$10⁹⁹**

43424 71-72 LT1 Hood Decal - Black/White - 2 req'd..... **\$10⁹⁹**

Each Stencil Kit includes: 2 Front Hood Stencils, 2 Rear Hood Stencils, Squeegee and Instructions.

43421 70 LT1 Hood Stencil Kit for Early 1970 w/ Unequal Width Stripes..... **\$99⁹⁹**

43422 70-72 LT1 Hood Stencil Kit for Late 1970 w/ Equal Width Stripes..... **\$137⁹⁹**



1968-1982 EXTERIOR TRIM COMPONENTS

22551 68-72 Fender Top Molding - Rear LH..... **\$34⁹⁹**

22552 68-72 Fender Top Molding - Rear RH..... **\$34⁹⁹**

43496 68-72 Fender Top Moldings - Rear - pr..... **\$49⁹⁹**

22553 68-72 Fender Top Molding Clips - pr..... **\$2⁹⁹**

36629 68-72 Fender Top Molding Screws - 4 pc..... **\$1⁹⁹**

33799 68-75 Hardtop Header Trim Molding..... **\$109⁹⁹**

X2246 68-82 Hood Grilles - 427/454/LT1 - pr..... **\$129⁹⁹**

29385 68-72 Hood Grille - LH - 427/454/LT1..... **\$69⁹⁹**

29386 68-72 Hood Grille - RH - 427/454/LT1..... **\$69⁹⁹**



#42936



#49974

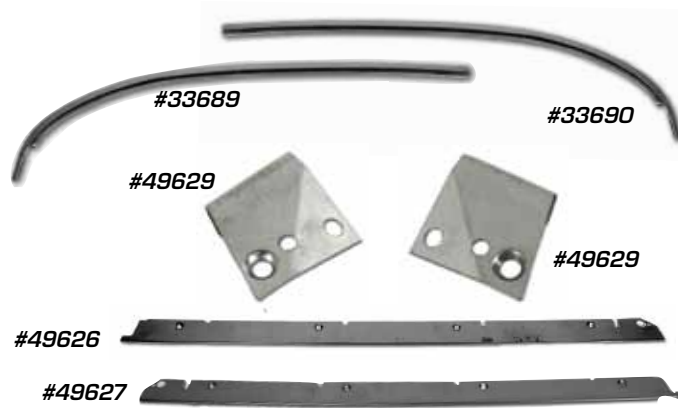
42936 68-73 Rear License Bezel - Reproduction..... **\$79⁹⁹**

49974 68-73 Rear License Bezel - OEM..... **\$275⁹⁹**

K1241 68-73 License Bezel Mount Screws & Nuts..... **\$5⁹⁹**



#K1241



- X2421** 69 Side Louver Insert Set - LH - 4 pc - Import Replacement..... **\$99⁹⁹**
- X2422** 69 Side Louver Insert Set - RH - 4 pc - Import Replacement..... **\$99⁹⁹**
- 2044** 69 Side Louver Insert - LH - ea - 4 req'd - GM **\$84⁹⁹**
- 2045** 69 Side Louver Insert - RH - ea - 4 req'd - GM **\$76⁹⁹**
- K1135** 68-69 Side Louver Screw Set - 16 pc **\$5⁹⁹**
- 33754** 68-69 Side Louver Nuts in Body - 8 pc set - 2 req'd **\$10⁹⁹**

1968-1982 T-Top MOLDING

- 52100** 68-76 T-Top Molding Set - Stainless Steel - 6 pc **\$229⁹⁹**
- 33689** 68-76 T-Top Molding - Stainless Steel - Front - LH **\$56⁹⁹**
- 33690** 68-76 T-Top Molding - Stainless Steel - Front - RH **\$56⁹⁹**
- 49626** 68-76 T-Top Molding - Stainless Steel - Side - LH **\$44⁹⁹**
- 49627** 68-76 T-Top Molding - Stainless Steel - Side - RH **\$44⁹⁹**
- 49628** 68-76 T-Top Molding - Stainless Steel - LH Corner **\$17⁹⁹**
- 49629** 68-76 T-Top Molding - Stainless Steel - RH Corner **\$17⁹⁹**
- 49639** 77 T-Top Molding - Stainless Steel - Side - LH **\$56⁹⁹**
- 49640** 77 T-Top Molding - Stainless Steel - Side - RH **\$56⁹⁹**
- 49641** 78 T-Top Molding - Stainless Steel - Side - LH **\$56⁹⁹**
- 49642** 78 T-Top Molding - Stainless Steel - Side - RH **\$56⁹⁹**
- 49643** 78 T-Top Molding - Stainless Steel - LH Corner **\$17⁹⁹**
- 49644** 78 T-Top Molding - Stainless Steel - RH Corner **\$17⁹⁹**
- 52101** 79-82 T-Top Molding Set - Black - 6 pc **\$284⁹⁹**
- 49645** 79-82 T-Top Molding - Black - Front - LH **\$64⁹⁹**
- 49646** 79-82 T-Top Molding - Black - Front - RH **\$64⁹⁹**
- 49647** 79-82 T-Top Molding - Black - Side - LH **\$64⁹⁹**
- 49648** 79-82 T-Top Molding - Black - Side - RH **\$64⁹⁹**
- 49649** 79-82 T-Top Molding - Black - LH Corner **\$17⁹⁹**
- 49650** 79-82 T-Top Molding - Black - RH Corner **\$17⁹⁹**



- 2048** 80-82 Side Louver Insert - LH **\$28⁹⁹**
- 2049** 80-82 Side Louver Insert - RH **\$28⁹⁹**
- 44905** 80-82 Side Louvers - Chromed Plastic - pr **\$59⁹⁹**
- 33753** 80-82 Side Louver Mount Screw Set **\$9⁹⁹**
- 40424** 70-72 Side Louver Retainer **\$9⁹⁹**
- 25673** 68-82 Windshield Corner - Lower Inner LH **\$199⁹⁹**
- 25674** 68-82 Windshield Corner - Lower Inner RH **\$199⁹⁹**
- 25675** 68-82 Windshield Corner - Lower Outer LH **\$199⁹⁹**
- 25676** 68-82 Windshield Corner - Lower Outer RH **\$199⁹⁹**
- 47351** 69-76 Windshield Header Corner Moldings - pr **\$113⁹⁹**
- 47356** 77-82 Windshield Headers - pr **\$205⁹⁹**
- K1033** 68-82 Windshield Molding Clips - Upper - Inner & Outer - 13 pc. **\$18⁹⁹**
- K1200** 68-82 Windshield Upper Molding Screws - 4 pc set **\$3⁹⁹**
- 36634** 68-82 Windshield Molding Clip Screws - 13 pc set **\$4⁹⁹**
- 36636** 68-72 Windshield Lower Molding on Wiper Door Clips - Set of 5 **\$28⁹⁹**
- 49195** 68 Wiper Door Molding - Stainless Steel **\$199⁹⁹**
- 49196** 69-72 Wiper Door Molding - Stainless Steel **\$199⁹⁹**



1973-1979 FENDER STYLING SCREENS

- Stainless Steel mesh screens install with double-sided tape.
- 49483** 73-79 Fender Styling Screens - pr **\$59⁹⁹**



CORVETTE AMERICA'S TOP FLIGHT ACCOUNT PROGRAM

Corvette America's Top Flight Program is designed for the Corvette owner who is performing a major rebuild or restoration on their Corvette, or for someone who owns and/or works on multiple Corvettes.

MEMBERSHIP HAS ITS ADVANTAGES

Top Flight Members not only **Receive Special Pricing**, they are notified of **Exclusive Offers** and more... talk to a Corvette America Sales Representative to learn more.

CALL 800-458-3475

to speak to one of our Sales Representatives about opening your Top Flight Account.

EXTERIOR TRIM (cont'd)

1968-1977 LUGGAGE RACKS

Our luggage racks are available in two models — 1968-75 Corvettes require six holes in rear deck and 1976-77 Corvettes require eight holes. They include hardware and endcaps.

Please note: Because of slight variations in hole placement, please request a diagram of hole placement if you have existing luggage rack holes.

CHROME LUGGAGE RACKS

Chevrolet Dealer supplied option. Highly-polished chrome. Eight-hole rack comes with T-Top Bracket Pins, 6-hole rack does not.

4906	68-75 6-Hole Luggage Rack - Chrome.....	\$219⁹⁹
4907	76-77 8-Hole Luggage Rack - Chrome.....	\$219⁹⁹

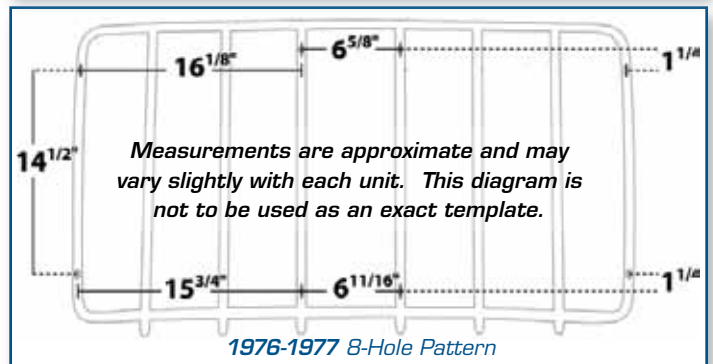
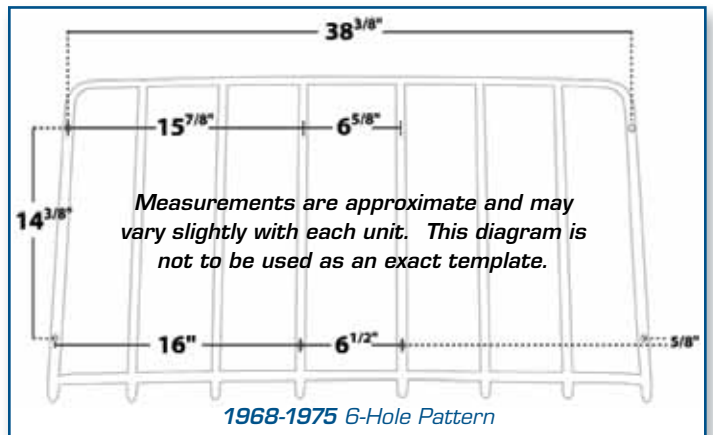
STAINLESS STEEL LUGGAGE RACKS

Made of stainless steel for years of service. Comes without T-Top Bracket Pins.

4935	68-75 6-Hole Luggage Rack - Stainless Steel.....	\$229⁹⁹
4936	76-77 8-Hole Luggage Rack - Stainless Steel.....	\$229⁹⁹

ADDITIONAL LUGGAGE RACK HARDWARE

43237	76-77 Luggage Rack Hardware Kit - 8-Hole	\$39⁹⁹
4914	68-77 Luggage Rack Endcap - Black	\$1⁹⁹
41831	68-77 Luggage Rack Endcaps - 8 pc set	\$9⁹⁹
20819	68-77 T-Top Carrier - Mounts to Luggage Rack	\$179⁹⁹



1968-1982 ROCKER PANELS

X2078	68-69 Rocker Panels - Lower - pr.....	\$334⁹⁹
X2051	68-69 Rocker Panels - Upper - pr.....	\$229⁹⁹
X2175	68-69 Rocker Panels - Upper & Lower - 4 pc set.....	\$499⁹⁹
9381	68-69 Rocker Panel - Lower LH.....	\$189⁹⁹
9382	68-69 Rocker Panel - Lower RH.....	\$189⁹⁹
X2052	70-77 Rocker Panels - pr.....	\$299⁹⁹
X2053	78-79 Rocker Panels - pr.....	\$299⁹⁹
X2054	80 Rocker Panels - pr.....	\$199⁹⁹
41814	80 Rocker Panel - LH.....	\$109⁹⁹
41815	80 Rocker Panel - RH.....	\$109⁹⁹
X2055	81-82 Rocker Panels - pr.....	\$199⁹⁹
41816	81-82 Rocker Panel - LH.....	\$109⁹⁹
41817	81-82 Rocker Panel - RH.....	\$109⁹⁹



ROCKER PANEL MOUNTING HARDWARE

SOLD SEPARATELY.

36628	68-69 Rocker Panel Mount Kit - 50 pc.....	\$14⁹⁹
K1209	70-82 Rocker Panel Screw Set w/ Nuts & Washers.....	\$6⁹⁹
33751	70-82 Rocker Panel Mount Repair Kit - Includes Mounting Screws.....	\$31⁹⁹



FIBERGLASS - FRONT ENDS



1968-82 DOOR TO DOOR - HAND LAYERED - 1 PIECE

All 1968-74 Front Ends include the header bar only. 1975-82 Front Ends include the header bar and nose bar.

🚗 1012	68-69 Front End - 1 pc.....	\$1479⁹⁹
🚗 1013	70-72 Front End - 1 pc.....	\$1479⁹⁹
🚗 1014	73-74 Front End - 1 pc.....	\$1479⁹⁹
🚗 1025	75-79 Front End - 1 pc.....	\$1479⁹⁹
🚗 1026	80-82 Front End - 1 pc.....	\$1479⁹⁹

FRONT END METAL

1499	75-82 Bumper Reinforcement.....	\$99⁹⁹
1500	68-82 Header Bar Metal.....	\$139⁹⁹
1502	68-82 Header Bar Reinforcement Bracket Kit.....	\$31⁹⁹

FIBERGLASS - FENDERS



HAND LAYERED

🚗 1143	68-69 LH.....	\$304⁹⁹
🚗 1144	68-69 RH.....	\$304⁹⁹
🚗 1152	70-72 LH.....	\$304⁹⁹
🚗 1153	70-72 RH.....	\$304⁹⁹
🚗 1154	73-79 LH.....	\$304⁹⁹
🚗 1155	73-79 RH.....	\$304⁹⁹
🚗 1156	80-82 LH.....	\$304⁹⁹
🚗 1162	80-82 RH.....	\$304⁹⁹

Press Molded Front & Side Fenders also available. Call for details.

FENDER BONDING STRIPS

35109	68-72 Fender to Hood Surround Bond Strip - LH (PM)	\$89⁹⁹
35110	68-72 Fender to Hood Surround Bond Strip - RH (PM)....	\$89⁹⁹
35111	73-79 Fender to Hood Surround Bond Strip - LH (PM) ...	\$122⁹⁹
35112	73-79 Fender to Hood Surround Bond Strip - RH (PM)...	\$122⁹⁹
35312	80-82 Fender to Hood Surround Bond Strip - LH (PM) ...	\$109⁹⁹
35311	80-82 Fender to Hood Surround Bond Strip - RH (PM)...	\$109⁹⁹
1358	68-75 Door Lock Pillar Cover - Convertible - LH (PM).....	\$179⁹⁹
1359	68-75 Door Lock Pillar Cover - Convertible - RH (PM).....	\$179⁹⁹
1492	68-79 Door Lock Pillar Cover - Coupe - LH (PM).....	\$179⁹⁹
1493	68-79 Door Lock Pillar Cover - Coupe - RH (PM).....	\$179⁹⁹



1968-1982 FRONT FENDERS

From Door to Center of Headlight. Includes Hood Surround Portion.

🚗 1057	68-69 Front Fender - LH.....	\$555⁹⁹
🚗 1064	68-69 Front Fender - RH.....	\$555⁹⁹
🚗 1071	70-72 Front Fender - LH.....	\$555⁹⁹
🚗 1072	70-72 Front Fender - RH.....	\$555⁹⁹
🚗 1074	73-79 Front Fender - LH.....	\$555⁹⁹
🚗 1079	73-79 Front Fender - RH.....	\$555⁹⁹
🚗 1084	80-82 Front Fender - LH.....	\$555⁹⁹
🚗 1085	80-82 Front Fender - RH.....	\$555⁹⁹

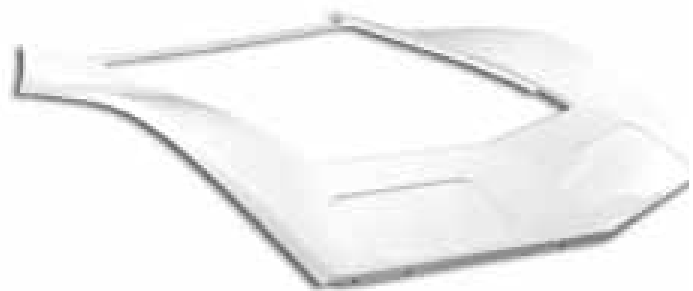


1968-1982 INNER FENDER WELLS - HAND LAYERED

25632	68-72 Inner Fender Well - LH.....	\$259⁹⁹
25633	68-72 Inner Fender Well - RH.....	\$259⁹⁹
25648	73-79 Inner Fender Well - LH.....	\$259⁹⁹
25649	73-79 Inner Fender Well - RH.....	\$259⁹⁹
25658	80-82 Inner Fender Well - LH.....	\$259⁹⁹
25659	80-82 Inner Fender Well - RH.....	\$259⁹⁹

Press Molded Inner Fender Wells also available. Call for details.

FIBERGLASS - HOODS



1968-82 HAND LAYERED HOOD SURROUND PANELS

🚗 1119	68-72 Hood Surround.....	\$1076⁹⁹
🚗 1122	73-74 Hood Surround.....	\$1076⁹⁹
🚗 1136	75-82 Hood Surround.....	\$1076⁹⁹

Press Molded Hood Surrounds also available. Call for details.

🚗 - Shipped by truck freight.

Additional packaging charges for fiberglass items may be required to ensure safe arrival.

FIBERGLASS - HOODS (cont'd)



1968-1982 STOCK HOOD ASSEMBLIES - HAND LAYERED

1183	68-72 Hood - Big Block, LT1	\$683 ⁹⁹
0901	68-72 Hood - Small Block	\$683 ⁹⁹
0902	73-75 Hood	\$683 ⁹⁹
0903	77-79 Hood	\$683 ⁹⁹
0904	80-81 Hood	\$683 ⁹⁹
0925	82 Hood	\$683 ⁹⁹

Press Molded Hoods also available. Call for details.



1968-1972 L-88 STYLE HOOD

35116	68-72 Without air box	\$700 ⁹⁹
-------	-----------------------------	---------------------

1968-1972 EXTENDED L-88 HOOD

Corvette America offers an L-88 Style Hood for the 1968-1972 Corvette that eliminates the wiper door. Wipers are hidden by the additional length of the hood but still function as normal.

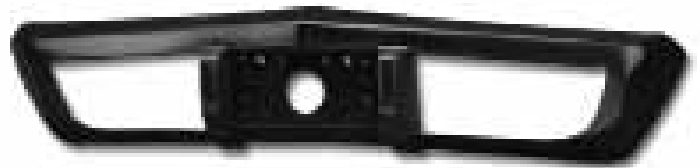
43652	68-72 Extended L-88 Style Hood	\$683 ⁹⁹
43640	77-82 Extended L-88 Style Hood	\$683 ⁹⁹

FIBERGLASS - FRONT BUMPERS



1973-1982 FIBERGLASS FRONT BUMPERS

1218	73-74 Front Bumper	\$355 ⁹⁹
41048	73-74 Front Bumper - E-Zee Fit	\$362 ⁹⁹
1225	75-79 Front Bumper	\$355 ⁹⁹
41049	75-79 Front Bumper - E-Zee Fit	\$364 ⁹⁹
1234	80-82 Front Bumper	\$390 ⁹⁹
41050	80-82 Front Bumper - E-Zee Fit	\$405 ⁹⁹



1973-1982 URETHANE FRONT BUMPERS

22195	73-74 Urethane Front Bumper - Original	\$964 ⁹⁹
22196	75-79 Urethane Front Bumper - Reproduction	only \$224 ⁹⁹
22197	80-82 Urethane Front Bumper - Original	\$509 ⁹⁹
51673	73-74 Bumper - Urethane - Reproduction	\$499 ⁹⁹



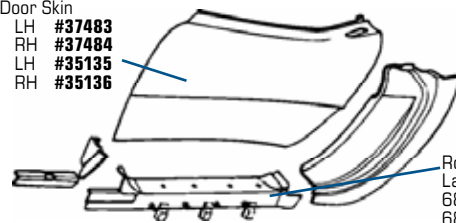
1968-1982 LOWER VALANCE PANELS

1180	68-72 Lower Valance Panel	\$164 ⁹⁹
1464	68-72 Bonding Strip - LH (PM)	\$57 ⁹⁹
1468	68-72 Bonding Strip - RH (PM)	\$57 ⁹⁹
1469	68-72 Lower Retainer - Betw. Valance & Radiator (PM) ..	\$93 ⁹⁹
1181	73-79 Lower Valance Panel	\$63 ⁹⁹
1182	80-82 Lower Valance Panel	\$124 ⁹⁹
41051	80-82 Lower Valance Panel - E-Zee Fit	\$139 ⁹⁹

FIBERGLASS - DOOR & RELATED

1968-1982 DOOR

Outer Door Skin		
68	LH	#37483
68	RH	#37484
69-82	LH	#35135
69-82	RH	#35136



Rocker Panel (Hand Layered)		
68-82	LH	#37486
68-82	RH	#37487

37483	68	Door Skin - Outer LH	\$352 ⁹⁹
37484	68	Door Skin - Outer RH	\$352 ⁹⁹
35135	69-82	Door Skin - Outer LH	\$377 ⁹⁹
35136	69-82	Door Skin - Outer RH	\$377 ⁹⁹
37486	68-82	Rocker Panel - LH (Hand Layered)	\$215 ⁹⁹
37487	68-82	Rocker Panel - RH (Hand Layered)	\$215 ⁹⁹

Look for E-ZEE FIT Fiberglass

FLEXIBLE FIBERGLASS COMPONENTS!

Get some flexibility in your fiberglass with **E-ZEE FIT Fiberglass**. Special resins used during the curing process make these parts more flexible than original and most replacement fiberglass components. They're easier to install and more resistant to minor bumps. Look for available items in this section.

☛ - Shipped by truck freight.





Additional packaging charges for fiberglass items may be required to ensure safe arrival.

FIBERGLASS - REAR ENDS





1968-1973 1-PIECE REAR ENDS

Order Exhaust Panel separately.

	1355	68-69 Convertible Rear End - 1 pc.....	\$1149⁹⁹
	1356	70-73 Convertible Rear End - 1 pc.....	\$1149⁹⁹
	1347	68-69 Coupe Rear End - 1 pc.....	\$1149⁹⁹
	1349	70-73 Coupe Rear End - 1 pc.....	\$1149⁹⁹





1968-1982 DECK AND DECK LID

	1308	68-73 Rear Upper Deck - Convertible.....	\$509⁹⁹
	1307	68-73 Rear Upper Deck - Coupe.....	\$555⁹⁹

FIBERGLASS - REAR QUARTER PANELS

1968-1982 PRESS MOLDED

	35137	68-69 LH w/o Side Exhaust (PM).....	\$419⁹⁹
	35138	68-69 RH w/o Side Exhaust (PM).....	\$419⁹⁹
	35139	69 LH w/ Side Exhaust (PM).....	\$374⁹⁹
	35140	69 RH w/ Side Exhaust (PM).....	\$374⁹⁹
	35141	70-72 LH (PM).....	\$377⁹⁹
	35142	70-72 RH (PM).....	\$377⁹⁹
	35143	73 LH (PM).....	\$377⁹⁹
	35144	73 RH (PM).....	\$377⁹⁹
	41799	74-82 LH (PM).....	\$299⁹⁹
	37502	74-82 RH (PM).....	\$299⁹⁹
	35152	68-73 Upper Bonding Strip - LH (PM).....	\$89⁹⁹
	35153	68-73 Upper Bonding Strip - RH (PM).....	\$89⁹⁹
	35154	74-82 Upper Bonding Strip - LH (PM).....	\$83⁹⁹
	35155	74-82 Upper Bonding Strip - RH (PM).....	\$83⁹⁹

1968-1982 HAND LAYERED

	1311	68-69 LH.....	\$304⁹⁹
	1313	68-69 RH.....	\$304⁹⁹
	1314	70-73 LH.....	\$304⁹⁹
	1315	70-73 RH.....	\$304⁹⁹
	1317	74-82 LH.....	\$304⁹⁹
	1318	74-82 RH.....	\$304⁹⁹
	1362	68-69 Splash Shield - LH.....	\$103⁹⁹
	1363	68-69 Splash Shield - RH.....	\$103⁹⁹
	1364	70-73 Splash Shield - LH.....	\$96⁹⁹
	1365	70-73 Splash Shield - RH.....	\$98⁹⁹

FIBERGLASS - REAR BUMPERS



1974 REAR BUMPERS - 2-PIECE

1236	74	Rear Bumper - 2 pc.....	\$429⁹⁹
41052	74	Rear Bumper - 2 pc - E-Zee Fit.....	\$441⁹⁹
X2436	74-82	Rear Bumper Retainer Set - 18 pc.....	\$32⁹⁹

Note: All 1974 Rear Bumpers come with indents for Corvette script.

1974 REAR BUMPERS - 1-PIECE

One-piece design looks just like the original two-piece bumper.

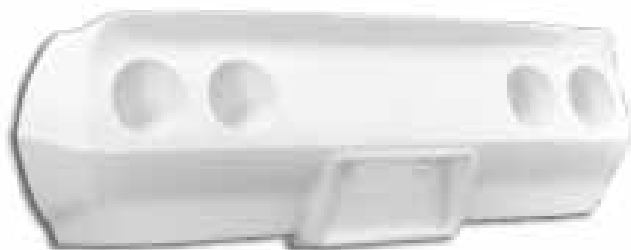
40670	74	Rear Bumper - 1 pc -	\$372⁹⁹
40671	74	Rear Bumper - 1 pc - E-Zee Fit.....	\$384⁹⁹
X2436	74-82	Rear Bumper Retainer Set - 18 pc.....	\$32⁹⁹



1975-1979 REAR BUMPERS

22540	75	Rear Bumper.....	\$372⁹⁹
41053	75	Rear Bumper - E-Zee Fit.....	\$384⁹⁹
44996	76	Rear Bumper - 76 Early.....	\$372⁹⁹
44997	76	Rear Bumper - E-Zee Fit - 76 Early.....	\$384⁹⁹
1237	76-79	Rear Bumper - 76 Late.....	\$364⁹⁹
41054	76-79	Rear Bumper - E-Zee Fit - 76 Late.....	\$376⁹⁹
X2436	74-82	Rear Bumper Retainer Set - 18 pc.....	\$32⁹⁹

Note: All 1975 Rear Bumpers include indents for Corvette script.



1980-1982 REAR BUMPERS

1238	80-82	Rear Bumper - (also fits 74-79).....	\$364⁹⁹
41055	80-82	Rear Bumper - (also fits 74-79) - E-Zee Fit.....	\$376⁹⁹
X2436	74-82	Rear Bumper Retainer Set - 18 pc.....	\$32⁹⁹

 - Shipped by truck freight.

Additional packaging charges for fiberglass items may be required to ensure safe arrival.

FIBERGLASS - REAR BUMPERS (cont'd)



1975-1982 URETHANE REAR BUMPERS

26816	75-79 (1975 Replacement)	\$499⁹⁹
26817	80-82	\$499⁹⁹

REAR BUMPER RETAINER KIT

Replace your old, rusted bumper retainers with these brand new stainless steel replacements.

X2436	74-82 Bumper Retainer Kit - SS - Replacement - 18 pc	\$32⁹⁹
--------------	--	--------------------------



FIBERGLASS - REAR FILLER PANELS



PRESS MOLDED

35148	68	w/ Back-up Light Retainers (PM)	\$448⁹⁹
35149	69	w/ Rear Exhaust (PM)	\$233⁹⁹
35150	69	w/ Side Exhaust (PM)	\$254⁹⁹
35151	70-73	Rear Exhaust (PM)	\$249⁹⁹

HAND LAYERED

1320	68	Exhaust Panel w/ Rear Exhaust	\$263⁹⁹
1328	69	Exhaust Panel w/ Rear Exhaust	\$202⁹⁹
1338	70-73	Exhaust Panel w/ Rear Exhaust	\$169⁹⁹
1339	68	Exhaust Panel w/ Side Exhaust	\$214⁹⁹
1344	69-73	Exhaust Panel w/ Side Exhaust	\$189⁹⁹
48038	68	Exhaust Panel Side w/ Ears	\$234⁹⁹
47899	69	Exhaust Panel Side w/ Ears	\$189⁹⁹
47898	70-73	Exhaust Panel Side w/ Ears	\$159⁹⁹

Please Note: Half of the opening for the Rear Exhaust Bezel is on the Rear Quarter Panel; if you wish to use these Exhaust Panels to convert a rear exhaust car to side exhaust, additional work on the Rear Quarter Panel is required.

PRESS MOLDED BONDING STRIPS

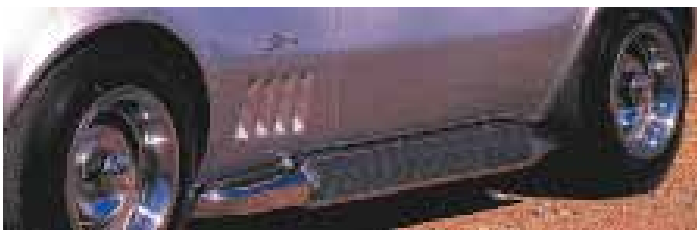
1480	68-73	Quarter Panel to Side Exhaust Filler Panel - LH	\$62⁹⁹
1481	68-73	Quarter Panel to Side Exhaust Filler Panel - RH	\$62⁹⁹
1482	68-69	Quarter Panel to Rear Exhaust Filler Panel - LH	\$62⁹⁹
1483	68-69	Quarter Panel to Rear Exhaust Filler Panel - RH	\$62⁹⁹
1484	70-73	Quarter Panel to Rear Exhaust Filler Panel - LH	\$62⁹⁹
1485	70-73	Quarter Panel to Rear Exhaust Filler Panel - RH	\$62⁹⁹



1968-1973 TAILLAMP PANEL

35147	68-73	Taillamp Panel (PM)	\$362⁹⁹
35156	68-73	Upper Bonding Strip (PM)	\$79⁹⁹
1319	68-73	Taillamp Panel - Hand Layered	\$161⁹⁹

CUSTOM FIBERGLASS



1969-STYLE FIBERGLASS SIDE EXHAUST COVERS

New reproduction side exhaust covers can cost over \$2000. But these Fiberglass replacement covers give you the same look without the expense! They can be painted to look like the original style cover or, for a different look, paint to match your Corvette's exterior.

20507	68-82	69 Style Side Exhaust Covers - pr	\$325⁹⁹
36548	68-74	Side Exhaust Pipes - 327/350 - Aluminized - pr	\$499⁹⁹
36549	68-69	Side Exhaust Pipes - 427 - Aluminized - pr	\$499⁹⁹
36550	70-74	Side Exhaust Pipes - 454 - Aluminized - pr	\$499⁹⁹
36551	69	Side Exhaust Cover Rear Brace - LH	\$18⁹⁹
36552	69	Side Exhaust Cover Rear Brace - RH	\$18⁹⁹
36553	69	Side Exhaust Pipe Mount Hardware Kit	\$32⁹⁹
36555	69	Side Exhaust Pipe Rear Insulator - 4 req'd	\$6⁹⁹
34982	68-82	Side Exhaust Transmission Spacer	\$5⁹⁹



1973-1979 FRONT BUMPERS - 1980-1982 STYLE

An 1980-82 style Bumper for 1973-79 Vettes. No modifications required. Use with your original or 1980-82 grilles.

1226	73-74	Use w/ 73-74 Grilles	\$434⁹⁹
1227	75-79	Use w/ 75-79 Grilles	\$434⁹⁹
1231	75-79	Use w/ 80-82 Grilles	\$392⁹⁹



1973-1979 URETHANE FRONT SPOILER - 3-PIECE

A precise replica of the original Pace Car spoiler. It actually helps keep your engine cooler by directing air directly to your radiator. Installs with original hardware. Paint to match.

4248	73-79	Urethane Front Spoiler - 3 pc	\$224⁹⁹
-------------	-------	-------------------------------------	---------------------------



1968-1979 FRONT SPOILERS

1256	73-79 American Spoiler - 1 pc	\$280 ⁹⁹
41057	73-79 American Spoiler - 1 pc - E-Zee Fit	\$285 ⁹⁹
1254	68-72 Super Spoiler - 1 pc	\$164 ⁹⁹
41058	68-72 Super Spoiler - 1 pc - E-Zee Fit	\$168 ⁹⁹
1255	73-79 Super Spoiler - 1 pc	\$164 ⁹⁹
41059	73-79 Super Spoiler - 1 pc - E-Zee Fit	\$168 ⁹⁹
1239	68-72 Indy Spoiler - 1 pc	\$164 ⁹⁹
41060	68-72 Indy Spoiler - 1 pc - E-Zee Fit	\$168 ⁹⁹
1250	73-79 Indy Spoiler - 1 pc	\$164 ⁹⁹
41061	73-79 Indy Spoiler - 1 pc - E-Zee Fit	\$168 ⁹⁹
1251	73-79 Indy Spoiler - Front - 3 pc	\$310 ⁹⁹



1968-1982 TWIN TURBO HOODS

Available as Standard or High Rise Turbo Hoods. Includes vent screens. Eliminates wiper compartment door on 68-72 Corvettes. High Rise Turbo Hoods provide additional 1 1/4" clearance over stock hoods.

1194	68-76 Twin Turbo High Rise Hood	\$699 ⁹⁹
1196	77-82 Twin Turbo High Rise Hood	\$699 ⁹⁹
1197	68-76 Twin Turbo Hood	\$699 ⁹⁹
1198	77-82 Twin Turbo Hood	\$699 ⁹⁹



1968-1982 AMERICAN HIGH RISE HOODS

Give your Corvette a distinctive look with the additional 1 1/4" inner clearance of American High Rise Hoods. Eliminates the wiper door on 1968-72 Corvettes.

1202	68-76 American High Rise Hood	\$699 ⁹⁹
1203	77-82 American High Rise Hood	\$699 ⁹⁹



1973-1981 STINGER HOODS

Now your 1973-1981 C3 Corvette can wear the business-like look of the C2's Stinger Hood. Unpainted fiberglass hood.

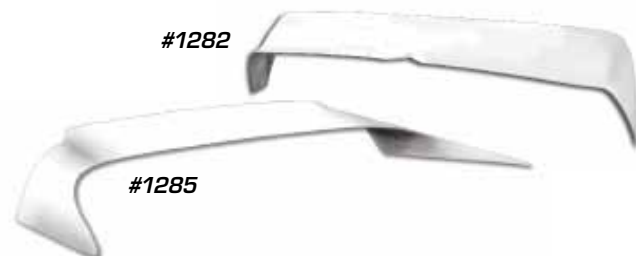
28552	73-76 Corvette Stinger Hood	\$619 ⁹⁹
28553	77-81 Corvette Stinger Hood	\$599 ⁹⁹



1974-1982 SE REAR BUMPER

The recessed light areas on the SE Bumper create an eye-catching look! Bolts on to all stock rear ends.

1376	74-82 SE Rear Bumper	\$410 ⁹⁹
41062	74-82 SE Rear Bumper - E-Zee Fit	\$422 ⁹⁹



1974-1982 REAR WINGS AND SPOILERS

1281	74-77 Indy Pace Car Rear Spoiler	\$317 ⁹⁹
1282	78-79 Indy Pace Car Rear Spoiler	\$317 ⁹⁹
1285	74-82 Turbo Rear Wing	\$368 ⁹⁹



COLLECTOR SERIES GROUND EFFECTS

Get a customized look without changing your stock body style! Every Collector Series Custom Fiberglass component is precision-designed to fit your Corvette's stock body. Install individually or together as a complete body styling makeover.

SAVE \$100 When you buy all 4 components!

1368	80-82 Front Spoiler	\$267 ⁹⁹
41056	80-82 Front Spoiler - E-Zee Fit	\$282 ⁹⁹
1372	80-82 Rear Wing	\$368 ⁹⁹
1290	70-82 Side Skirts - pr	\$429 ⁹⁹
1293	75-79 Rear Skirts - pr	\$268 ⁹⁹
1294	80-82 Rear Skirts - pr	\$267 ⁹⁹

Look for E-ZEE FIT Fiberglass

FLEXIBLE FIBERGLASS COMPONENTS!

Get some flexibility in your fiberglass with **E-ZEE FIT Fiberglass**. Special resins used during the curing process make these parts more flexible than original and most replacement fiberglass components. They're easier to install and more resistant to minor bumps. Look for available items in this section.

🚚 - Shipped by truck freight.

Additional packaging charges for fiberglass items may be required to ensure safe arrival.

1968-1982 FRAME

Side Rail Repair Sections Crossmember to Rear - See listings

Side Rail Repair Sections Cowl to Rear - See listings

Clutch Bracket:
68-79 #29959
80-81 #29960 (See Clutch)

Gusset
68-74 LH #34995
68-74 RH #34996
75-82 LH #36650
75-82 RH #36651

Gusset
LH #36653
RH #36654

Support #36652

Gusset
LH #36648
RH #36649

Mount #4

Mount #3

Mount #2

Mount #1

Cowl

Axle Bumper Bracket
LH #36655
RH #36656



- A. **33500** 68 Crossmember.....\$224⁹⁹
- A. **25475** 68-79 Crossmember - Under Transmission - Auto.....\$399⁹⁹
- A. **25476** 68-78 Crossmember - Under Transmission - Man\$399⁹⁹
- B. **25411** 68-74 Crossmember - w/ Differential Bracket\$435⁹⁹
- C. **25477** 68-82 Crossmember - Over Rear Axle\$306⁹⁹
- D. **25478** 68-70 Crossmember - Rear\$181⁹⁹
- D. **25479** 71-74 Crossmember - Rear\$176⁹⁹
- 33499** 68-72 Crossmember - Front (not shown)\$199⁹⁹
- 36646** 68-79 Crossmember Sombrero\$37⁹⁹
- 36652** 68-82 Differential Crossmember
Removable Support on Frame Rail\$38⁹⁹
- 33780** 75-82 Floor Pan - LH.....\$259⁹⁹
- 33781** 75-82 Floor Pan - RH.....\$259⁹⁹
- ☛ **25480** 68-74 Frame Assbly - Rear Kick-Up w/ Brackets LH.....\$439⁹⁹
- ☛ **25481** 68-74 Frame Assbly - Rear Kick-Up w/ Brackets RH.....\$439⁹⁹
- 37210** 68-82 Frame Lwr A-Arm Support w/Gussett - 2 req'd...\$105⁹⁹
- 37203** 68-82 Frame Rail End Cap.....\$11⁹⁹
- 36653** 68-79 Frame Gussett - Over Axle - LH.....\$46⁹⁹
- 36654** 68-79 Frame Gussett - Over Axle -RH.....\$46⁹⁹
- 36648** 69-82 Frame Gussett - #3 to Kickup - LH.....\$74⁹⁹
- 36649** 69-82 Frame Gussett - #3 to Kickup - RH.....\$79⁹⁹
- 34995** 68-74 Frame Gussett - Corner - LH.....\$21⁹⁹
- 34996** 68-74 Frame Gussett - Corner - RH.....\$21⁹⁹
- 36650** 75-82 Frame Gussett - Corner - LH.....\$52⁹⁹
- 36651** 75-82 Frame Gussett - Corner - RH.....\$52⁹⁹
- 26288** 68-74 Frame Repair Section Side Rail - LH - 23".....\$147⁹⁹
- 26289** 68-74 Frame Repair Section Side Rail - RH - 23".....\$147⁹⁹
- 26290** 68-74 Frame Repair Section Side Rail - LH - 48".....\$194⁹⁹
- 26291** 68-74 Frame Repair Section Side Rail - RH - 48".....\$194⁹⁹
- 26293** 75-82 Frame Repair Section Side Rail - RH - 23".....\$187⁹⁹
- 26294** 75-82 Frame Repair Section Side Rail - LH - 48".....\$224⁹⁹
- 26295** 75-82 Frame Repair Section Side Rail - RH - 48".....\$224⁹⁹
- 36655** 68-75 Rear Axle Bumper Bracket - LH.....\$30⁹⁹
- 36656** 68-75 Rear Axle Bumper Bracket - RH.....\$49⁹⁹

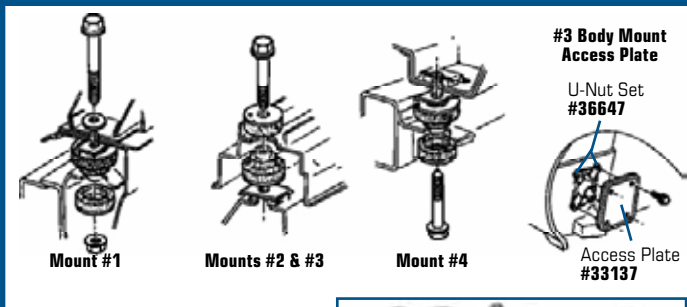
☛ - Shipped by truck freight.



BODY MOUNTS - SEE 1968-1982 FRAME DIAGRAM

- 33745** 68-82 #1 Body Mount at Firewall\$35⁹⁹
- 33120** 68-82 #1 Body Mount Bracket on Frame LH.....\$62⁹⁹
- 33121** 68-82 #1 Body Mount Bracket on Frame RH.....\$62⁹⁹
- 36640** 73-80 #1 Body Mount Shields - Outboard - pr\$2⁹⁹
- 33746** 68-74 #2 or #3 Body Mount on Frame w/ Cage & Nut....\$39⁹⁹
- 33747** 75-82 #2 or #3 Body Mount on Frame w/ Cage & Nut....\$46⁹⁹
- 33137** 68-82 #3 Body Mount Access Plate\$7⁹⁹
- 36647** 68-82 #3 Body Mount Access Plate U-Nuts - 8 pc set\$1⁹⁹
- 33748** 68-82 #4 Body Mount Reinforcement on Body - LH.....\$59⁹⁹
- 33749** 68-82 #4 Body Mount Reinforcement on Body - RH.....\$59⁹⁹
- 33128** 68-82 #4 Body Mount Bracket on Frame.....\$54⁹⁹

1968-1982 BODY MOUNT KITS



BODY MOUNT KITS

Our body mount kits include all the correct bolts, nuts, shims, spacers and cushions to mount any 1968-1982 Corvette. All components are individually packaged and identified. Includes easy-to-follow diagrams.

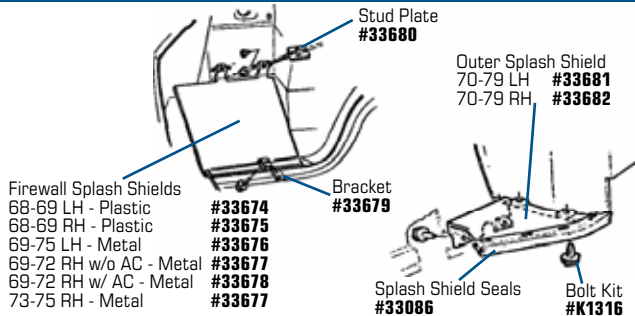
- 2667** 68-72 Body Mounting Kit.....\$99⁹⁹
- 2668** 73-75 Body Mounting Kit - Convertible.....\$179⁹⁹
- 2669** 73-82 Body Mounting Kit - Coupe.....\$159⁹⁹
- 51796** 73-82 Body Mounting Kit - Coupe - Import\$109⁹⁹



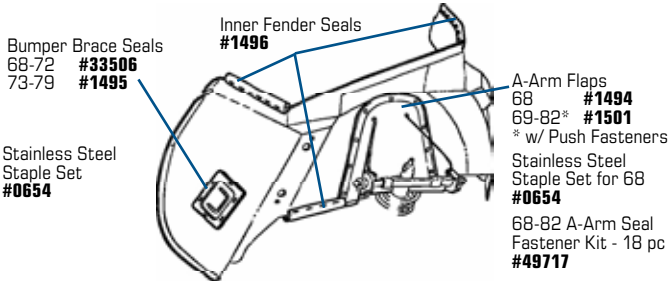
SPLASH SHIELDS, FENDER SEALS & A-ARM SEALS

- 33674** 68-69 Firewall Splash Shield - Plastic - LH.....\$29⁹⁹
- 33675** 68-69 Firewall Splash Shield - Plastic - RH.....\$29⁹⁹
- 33676** 69-75 Firewall Splash Shield - Metal - LH.....\$33⁹⁹
- 33677** 69-75 Firewall Splash Shield - Metal - RH exc 69-72 w/ AC\$33⁹⁹

1968-1979 SPLASH SHIELDS



1968-1982 INNER FENDER SEALS



- 33678** 69-72 Firewall Splash Shield - Metal w/ AC - RH **\$33⁹⁹**
- 33681** 70-79 Firewall Splash Shield - Outer - LH **\$33⁹⁹**
- 33682** 70-79 Firewall Splash Shield - Outer - RH **\$33⁹⁹**
- 33679** 68-75 Firewall Splash Shield Mount Bracket **\$9⁹⁹**
- 33673** 68 Inner Splash Shield **\$22⁹⁹**
- 33081** 68 Inner Splash Shield Mount Kit - 8 pc **\$8⁹⁹**
- 33086** 68-79 Outer Splash Shield Seals - pr **\$9⁹⁹**
- K1316** 68-79 Outer Splash Shield Mount Kit - 8 pc **\$6⁹⁹**
- 33680** 68-82 Stud Plate T-Bolt Fastener - 4 req'd **\$6⁹⁹**
- 1494** 68 A-Arm Seals - pr **\$12⁹⁹**
- 1501** 69-82 A-Arm Seals - pr **\$14⁹⁹**
- 49717** 68-82 A-Arm Seal Fastener Kit - 8 pc **\$3⁹⁹**
- 0654** 68 A-Arm Seal Staple Set - 25 pc **\$1⁹⁹**
- 1496** 68-82 Inner Fender Seals - 6 pc set - Upper & Lower **\$18⁹⁹**
- 33506** 68-72 Front Bumper Brace Seals - pr **\$9⁹⁹**
- 1495** 73-79 Front Bumper Brace Seals - pr **\$9⁹⁹**



CHASSIS RESTORATION KITS & STENCILS

This kit includes all the necessary stencils, paints, markers, tape and technical bulletins you need to correctly detail the frame for your year Corvette. Specify engine and horsepower, VIN number, transmission type, standard or HD suspension and with or without air conditioning when ordering.

- 22156** 68 Chassis Restoration Kit **\$178⁹⁹**
- 22157** 69 Chassis Restoration Kit **\$136⁹⁹**
- 22158** 70 Chassis Restoration Kit **\$136⁹⁹**
- 22159** 71 Chassis Restoration Kit **\$140⁹⁹**
- 22160** 72 Chassis Restoration Kit **\$129⁹⁹**
- 22162** 68-72 Frame Stencil **\$29⁹⁹**
- 22176** Frame Paint - Quart **\$26⁹⁹**
- 33106** Frame & Suspension Paint - Aerosol **\$8⁹⁹**

ALSO AVAILABLE...

- 36641** 68-82 Body Assembly Rivets - 3/16" x 5/8" - 25 pc set... **\$1⁹⁹**
- 46464** 68-82 Body Mount Bolt Kit **\$19⁹⁹**
- 33743** 73-82 Body Mount Bolt, Shim, Nut & Washer Kit **\$52⁹⁹**
- 33742** 73-82 Body Mount Cushion - Upper & Lower **\$17⁹⁹**
- 33744** 68-82 Body Mount Shim - Square Metal **\$1⁹⁹**
- 34992** 68-82 Body Mount Shim - U-Shape - 6 pc set **\$12⁹⁹**
- 36637** 68-82 Body Mount Spacers - Aluminum - pr **\$13⁹⁹**
- 32972** 68-82 Body Mount Square Nuts - pr **\$17⁹⁹**
- 33126** 68-82 Body Mount Square Nut Cage **\$8⁹⁹**
- 33740** 68-72 Body Mount Cushion Set - Polyurethane **\$72⁹⁹**
- 33741** 73-82 Body Mount Cushion Set - Polyurethane **\$69⁹⁹**
- 36639** 69-75 Body Sill Wedge Heat Shield - Between Firewall & Splash Shield along Frame Rail **\$2⁹⁹**
- 34028** 68-70 Deck Lid Hinge Reinforcement - LH **\$40⁹⁹**
- 34030** 71-75 Deck Lid Hinge Reinforcement - LH **\$40⁹⁹**
- 34029** 68-70 Deck Lid Hinge Reinforcement - RH **\$40⁹⁹**
- 34031** 71-75 Deck Lid Hinge Reinforcement - RH **\$40⁹⁹**
- 36657** 68-69 Floorboard Insulation - LH - Fiberglass **\$38⁹⁹**
- 36658** 68-69 Floorboard Insulation - RH - Fiberglass **\$38⁹⁹**
- X2447** 68-69 Floorboard Insulation Retainer - 4 req'd **\$1⁹⁹**
- X2551** 68-69 Floorboard Insulation Retainers - 4 pc set **\$7⁹⁹**
- 36659** 68-69 Floorboard Metal Heat Shield - Underbody **\$22⁹⁹**
- 33679** 68-75 Floorboard Heat Shield Mount Bracket - 2 req'd **\$9⁹⁹**
- 36638** 69-75 Frame Rail Heat Shield - 2 req'd Between Frame & Body in front of #2 Mount **\$8⁹⁹**



BODY LIFT HARNESS

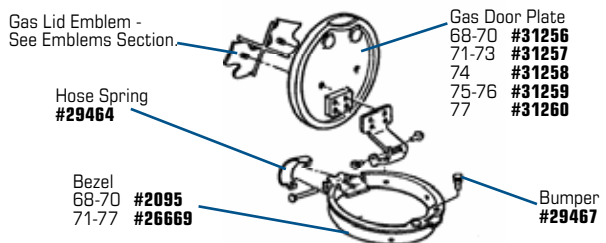
You can count on the strength and reliability of our Body Lift Harness. Four tempered steel hooks are machine-stitched to heavy-gauge nylon webbing straps. All straps are sewn directly to a tempered, precision-machined steel center ring. Surpasses others in strength, safety and durability.



- 5465** 68-82 Body Lift Harness **\$79⁹⁹**

FUEL

1968-1982 GAS LID DOOR



- 2095** 68-70 Gas Lid Door Bezel **\$59⁹⁹**
- 26669** 71-77 Gas Lid Door Bezel **\$81⁹⁹**
- K1133** 68-77 Gas Lid Door Bezel Screw Set - 4 pc **\$2⁹⁹**
- K1342** 78-82 Gas Lid Door Bezel Screw/Nut Set **\$2⁹⁹**
- 29464** 71-82 Gas Lid Door Hinge Spring **\$4⁹⁹**
- 31256** 68-70 Gas Lid Door Plate **\$39⁹⁹**
- 31257** 71-73 Gas Lid Door Plate **\$39⁹⁹**

FUEL (continued)

31258	74	Gas Lid Door Plate	\$39⁹⁹
31259	75-76	Gas Lid Door Plate	\$39⁹⁹
31260	77	Gas Lid Door Plate	\$39⁹⁹
K1215	68-82	Gas Lid Door Plate to Hinge Screw Set - 4 pc	\$2⁹⁹
29467	68-82	Gas Lid Door Stop Bumper	\$2⁹⁹

1968-1977 GAS TANKS

Our Reproduction Gas Tanks are manufactured with corrosion-resistant steel and have the same shape, indents, welds and connections as the original tanks.

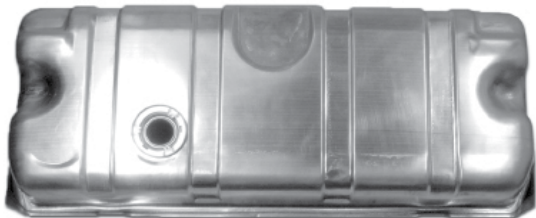


#42955

GAS TANKS WITH LOGO

For true reproduction accuracy, we now offer tanks stamped with the O. L. Anderson Logo, manufacturer of the original Corvette tanks!

42955	68-69	Gas Tank - 20 Gallon - 300, 350, 390 HP - 69E.....	\$259⁹⁹
42954	68-69	Gas Tank - 20 Gallon - 400, 435, L-88.....	\$259⁹⁹
42957	69-70	Gas Tank - 20 Gallon - 300, 350, 390 HP - 69L..	\$259⁹⁹
42956	69-70	Gas Tank - 20 Gallon - 400, 435, L88, LT1 w/o EEC	\$259⁹⁹
42958	70-72	Gas Tank - 20 Gallon - LT1 w/ EEC	\$259⁹⁹
42959	70-74	Gas Tank - 20 Gallon - All exc LT1	\$259⁹⁹



#43314

#42960



GAS TANKS WITHOUT LOGO

43314	68-69	Gas Tank - 20 Gallon - 400, 435, L-88.....	\$199⁹⁹
43315	68-69	Gas Tank - 20 Gallon - 300, 350, 390 HP - 69 E.	\$199⁹⁹
43316	69-70	Gas Tank - 20 Gallon - 400, 435, L88, LT1 w/o EEC	\$209⁹⁹
43317	69-70	Gas Tank - 20 - 300, 350, 390 HP - 69L	\$199⁹⁹
43318	70-72	Gas Tank - 20 Gallon - LT1 w/ EEC	\$199⁹⁹
43319	70-74	Gas Tank - 20 Gallon - All exc LT1	\$199⁹⁹
42960	75-77	Gas Tank - w/o Bladder	\$199⁹⁹
43304	78-82	Gas Tank - Does not req. Bladder - Incl. Gasket & Bolts - 25 Gal	\$249⁹⁹

* AVAILABLE IN FUEL TANK KITS!



Save time and money with our Fuel Tank Kits.

FUEL TANK KITS

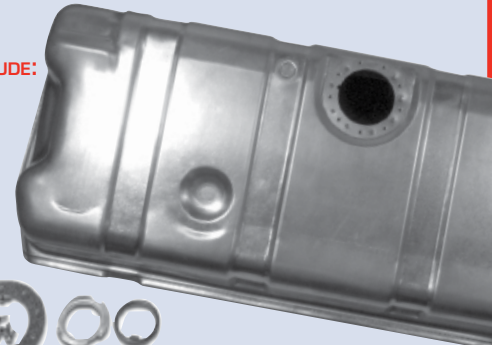
Our Fuel Tank Kits include: Gas Tank, Sending Unit, Gas Tank Straps, Filler Neck Boot and Filler Neck Boot Drain Hose.

43212	68-69	Fuel Tank Kit (w/ Tank #43315) - 69E	\$249⁹⁹
43213	69-70	Fuel Tank Kit (w/ Tank #43317) - 69L.....	\$249⁹⁹
43214	70-74	Fuel Tank Kit (w/ Tank #43319)	\$249⁹⁹

GAS TANK KITS FROM CORVETTE AMERICA INCLUDE:



Sending Unit



Tank & Gaskets

Filler Neck Boot and Drain Hose



Gas Tank Straps



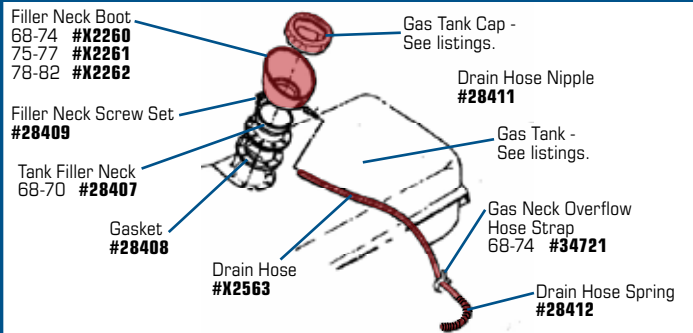
1968-1974 GAS GUARD

What a deal! Protect your car from scratches with this easy-to-install Gas Guard! Simply install the fuel-resistant black guard over the filler neck and fold over the cap when closed!



41877	68-74	Gas Guard.....	\$5⁹⁹
41879	75-82	Gas Guard.....	\$5⁹⁹

1968-1982 GAS TANK



X2450	68-69	Gas Cap - Vented	\$25⁹⁹
X2451	70-74	Gas Cap - Non-Vented	\$27⁹⁹
29444	75-77	Gas Cap.....	\$10⁹⁹
29446	78-82	Gas Cap.....	\$11⁹⁹
1414	68-69	Gas Cap - Locking	\$39⁹⁹
1410	70-74	Gas Cap - Locking - Non-Vented.....	\$37⁹⁹
51154	75-82	Gas Cap - Replacement	\$6⁹⁹
25497	75-82	Gas Cap - Locking	\$18⁹⁹
51343	70-74	Gas Cap Caution Plate.....	\$3⁹⁹
33138	68-74	Gas Cap Gasket - Fiber.....	\$2⁹⁹



33144	69	Gas Cap Gasket - Rubber	\$2 ⁹⁹
28407	68-74	Gas Filler Neck	\$71 ⁹⁹
X2260	68-74	Gas Filler Neck Boot	\$24 ⁹⁹
X2261	75-77	Gas Filler Neck Boot	\$24 ⁹⁹
X2262	78-82	Gas Filler Neck Seal/Boot	\$24 ⁹⁹
X2563	68-82	Gas Filler Neck Overflow Hose	\$6 ⁹⁹
28411	68-82	Gas Filler Neck Overflow Hose Nipple	\$2 ⁹⁹
34721	68-74	Gas Neck Overflow Hose Strap - Black	\$1 ⁹⁹
28412	68-74	Gas Filler Neck Overflow Hose Support Spring	\$3 ⁹⁹
28408	68-74	Gas Filler Neck to Tank Cork Gasket	\$3 ⁹⁹
28409	68-74	Gas Filler Neck to Tank Screw Set - 9 pc.	\$9 ⁹⁹
28419	75-77	Gas Filler Neck to Tank Screw Set - 12 pc.	\$12 ⁹⁹
28404	68-82	Gas Tank Mount Anti-Squeak Pads - pr	\$4 ⁹⁹



X2628	68-74	Gas Tank Sending Unit	\$69 ⁹⁹
X2629	75-77	Gas Tank Sending Unit	\$169 ⁹⁹
X2630	78-81	Gas Tank Sending Unit - Includes Strainer	\$149 ⁹⁹
X2631	82	Gas Tank Sending Unit	\$129 ⁹⁹
29800	68-74	Gas Tank Sending Unit Gasket	\$2 ⁹⁹
49926	78-82	Gas Tank Sending Unit Gasket	\$4 ⁹⁹
35015	68-74	Gas Tank Sending Unit Removal Tool	\$21 ⁹⁹
29801	68-74	Gas Tank Sending Unit Retaining Cam	\$2 ⁹⁹
33139	68-81	Gas Tank Sending Unit Strainer	\$9 ⁹⁹
42841	75-81	Gas Tank Sending Unit Strainer - Correct	\$14 ⁹⁹
1443	68-74	Gas Tank Straps - pr	\$24 ⁹⁹
43233	75-77	Gas Tank Straps - pr	\$24 ⁹⁹
43234	78-82	Gas Tank Straps - pr	\$24 ⁹⁹
33794	71-74	Gas Tank Shield	\$19 ⁹⁹
45017	70-74	Gas Tank Valve	\$46 ⁹⁹

FUEL LINES

All fuel lines listed are original equipment featuring TBW (Tinned Bundy Weld) or stainless steel tubing with double inverted flares and steel nuts, pre-bent to original shape.

51498	68-82	Fuel Line Feed Hose to Pump - Replacement	\$6 ⁹⁹
51499	68-82	Fuel Line Feed Hose Kit - Front - Replacement	\$9 ⁹⁹

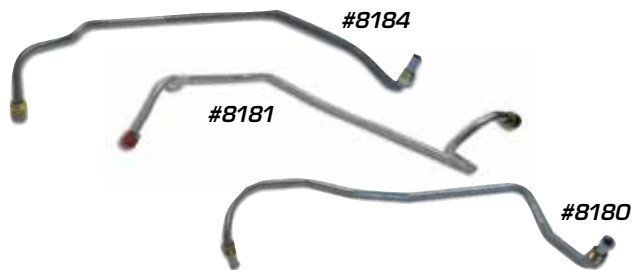
TANK TO PUMP - T.B.W.

8192	68	Tank to Pump Fuel Line	\$63 ⁹⁹
8139	68	Fuel Return - RH	\$63 ⁹⁹
8148	69	Tank to Pump Fuel Line	\$63 ⁹⁹
8194	70-77	Tank to Pump Fuel Line	\$63 ⁹⁹

8193	69-77	Fuel Return - RH	\$63 ⁹⁹
8195	70-74	Vapor Return - LH	\$59 ⁹⁹
8182	75-77	Vapor Return - LH	\$59 ⁹⁹
33776	78-82	Tank to Pump Gas Line - Steel - RH	\$63 ⁹⁹
33778	78-82	Fuel Return Line - Steel - RH	\$63 ⁹⁹
33787	78-82	Vapor Canister Return Line - Steel - LH	\$63 ⁹⁹

TANK TO PUMP - STAINLESS STEEL

9875	68	Tank to Pump SS Fuel Line	\$81 ⁹⁹
9998	68	Fuel Return - RH	\$81 ⁹⁹
9999	69	Tank to Pump SS Fuel Line	\$81 ⁹⁹
9877	70-77	Tank to Pump SS Fuel Line	\$81 ⁹⁹
9876	69-77	Fuel Return - RH	\$81 ⁹⁹
9862	70-74	Vapor Return - LH	\$81 ⁹⁹
9864	75-77	Vapor Return - LH	\$81 ⁹⁹
9887	75-77	Fuel Return	\$81 ⁹⁹
9886	75-77	Fuel Return - RH	\$81 ⁹⁹
33777	78-82	Tank to Pump Gas Line - SS - RH	\$81 ⁹⁹
33779	78-82	Fuel Return Line - SS - RH	\$81 ⁹⁹
33788	78-82	Vapor Canister Return Line - SS - LH	\$81 ⁹⁹



PUMP TO CARBURETOR - T.B.W.

8149	68-69	L-88 - 3 Lines and Y Block Connector	\$58 ⁹⁹
8177	68	390hp - 3 Lines & Filter	\$54 ⁹⁹
8176	68-69	300, 350hp - 3 Lines	\$74 ⁹⁹
8179	68-69	400, 435hp - 5 Lines & 2 Blocks	\$78 ⁹⁹
8188	68-72	Fuel Line Y Block Connector	\$30 ⁹⁹
8178	69	390hp - 3 Lines	\$63 ⁹⁹
8185	70-72	Gas Line Kit - LT-1 - 3 Lines, see #8188 for Y-Block	\$43 ⁹⁹
8181	70-74	454 (exc Holley)	\$42 ⁹⁹
8180	70-76	300, 350hp, L48, L82	\$37 ⁹⁹
8183	71-72	Fuel Line - Pump to Carburetor - LS6	\$52 ⁹⁹
8184	77-81	Fuel Line - Pump to Carburetor	\$42 ⁹⁹

PUMP TO CARB. - STAINLESS STEEL

9992	68-69	L88 - 3 Lines and Y Block Connector	\$60 ⁹⁹
9841	68-69	300, 350hp - 3 Lines	\$76 ⁹⁹
9844	68-69	400, 435hp - 5 Lines & 2 Blocks	\$82 ⁹⁹
9843	69	390hp - 3 Lines	\$69 ⁹⁹
9847	70-72	LT-1	\$43 ⁹⁹
9846	70-74	454 (exc Holley)	\$48 ⁹⁹
9845	70-76	300, 350, L48, L82	\$52 ⁹⁹
9848	71-72	LS6 - 3 Lines and "T" Connector	\$59 ⁹⁹
9849	77-81	Fuel Line - Pump to Carburetor	\$53 ⁹⁹

Corvette America will match
any competitor's price!

Call 800-458-3475 for details.



FUEL (continued)

FUEL LINE CLIPS

44972	68	Fuel Line Clips - 14 pc.....	\$24⁹⁹
44973	69	Fuel Line Clips - 14 pc.....	\$28⁹⁹
44974	70	Fuel Line Clips - 16 pc.....	\$25⁹⁹
44975	71-73	Fuel Line Clips - 16 pc.....	\$29⁹⁹
44976	71-73	Fuel Line Clips - 10 pc.....	\$9⁹⁹
44977	74-82	Fuel Line Clips - 16 pc.....	\$27⁹⁹
44978	74-82	Fuel Line Clips - 10 pc.....	\$8⁹⁹



VAPOR CANISTER & RELATED

33785	74-77	Vapor Canister.....	\$78⁹⁹
33791	80	Vapor Canister - L48.....	\$156⁹⁹
33792	80-81	Vapor Canister - 80 L82.....	\$156⁹⁹
33782	70-77	Vapor Canister to Frame Line Hose.....	\$6⁹⁹
0914	68-82	Vapor Return Line Hose Kit - Front (exc 3x2).....	\$9⁹⁹
0913	69-74	Vapor Return Line Hose Kit - Rear (exc 3x2).....	\$5⁹⁹
33786	70-82	Fuel Vent & Vapor Canister Air Inlet Filter.....	\$2⁹⁹



FILTERS, PUMPS & HOSE KITS

Authentic nitrile rubber compound. All hoses feature original raised rib design. Kits come with factory-style clamps.

27666	68-72	Carb Inlet Filter - Holley - Bronze Mesh.....	\$3⁹⁹
33771	68-75	Carb Inlet Filter - Q-Jet - Paper.....	\$2⁹⁹
33772	76-81	Carb Inlet Filter - Q-Jet - Paper.....	\$3⁹⁹
1734	68-82	Fuel Filter - GF 416 - 425hp.....	\$46⁹⁹
1734	68-69	Fuel Filter - GF 432 - (use bracket, #1742).....	\$46⁹⁹
30471	82	Fuel Filter - GF 482 Canister.....	\$12⁹⁹
1742	68-69	Fuel Filter Bracket - 300, 350, 390 GF-432.....	\$10⁹⁹
0911	68-69	Fuel Filter Hose Kit.....	\$3⁹⁹
49933	68-81	Fuel Line Fitting - to Fuel Pump.....	\$3⁹⁹
0915	70-82	Fuel Line Hose Kit - Front.....	\$12⁹⁹
36686	68-69	Fuel Pump - 427/390 - Correct - AC #40659.....	\$205⁹⁹
36687	68-69	Fuel Pump - 3x2 - L88 - Correct - AC #40482.....	\$209⁹⁹
36688	70-71	Fuel Pump - LT1 - Correct - AC #40709.....	\$204⁹⁹
36689	70-74	Fuel Pump - 454 - Correct - AC #40770.....	\$214⁹⁹

0880	68-69	Fuel Pump - 327 & 350 - Replacement.....	\$32⁹⁹
0879	68-69	Fuel Pump - 427 - Replacement.....	\$44⁹⁹
40672	68-69	Fuel Pump - 3x2 - L88 - Replacement.....	\$44⁹⁹
0883	70-74	Fuel Pump - 454 - Replacement.....	\$42⁹⁹
0882	70-76	Fuel Pump - 350 - Replacement.....	\$44⁹⁹
0884	77-81	Fuel Pump.....	\$54⁹⁹
51350	77-81	Fuel Pump - Replacement.....	\$47⁹⁹
0885	82	Fuel Pump.....	\$59⁹⁹
32742	68-72	Fuel Pump Bolts - Small Block - pr.....	\$3⁹⁹
34997	68-74	Fuel Pump Bolts - Big Block - pr.....	\$3⁹⁹
33141	68-81	Fuel Pump Gasket.....	\$2⁹⁹
37227	68-69	Fuel Pump Inlet Hose w/ Fitting - 340/375.....	\$9⁹⁹
32738	68-81	Fuel Pump Push Rod.....	\$14⁹⁹
32739	68-81	Fuel Pump Mount Plate.....	\$9⁹⁹
32740	68-82	Fuel Pump Mount Plate Bolts - pr.....	\$1⁹⁹
32741	68-81	Fuel Pump Mount Plate Gasket - 327/350.....	\$2⁹⁹

1968-1982 ACCELERATOR CONTROL CABLE

Cable Support Bracket	Cable Clamp	Accelerator Cable	Seal
68-69 3x2 #29422	68-73 #29404	68-73 #42773	68-73 #29411
68-72 SHP #29423		75-81 #29420	74-81 #29412
68-73 exc SHP #29424			

Carb Base Gasket - See listings.	Return Spring
	68 3x2 #29427
	69 3x2 #29429
	68-69 Q-Jet #29428
	70-72 #29432
	74-82 #29440

#42773

35016	69-82	Accelerator Arm/Rod Pivot Support.....	\$28⁹⁹
42773	68-73	Accelerator Cable.....	\$34⁹⁹
29420	75-81	Accelerator Cable.....	\$26⁹⁹
29402	68-73	Accelerator Cable Ball Stud.....	\$8⁹⁹
29423	69-72	Accelerator Cable Bracket - Holley.....	\$29⁹⁹
29424	69-72	Accelerator Cable Bracket - Q-Jet.....	\$29⁹⁹
29404	68-73	Accelerator Cable Bracket Clamp.....	\$4⁹⁹
36669	74-82	Accelerator Cable to Carburetor Clip.....	\$1⁹⁹
29422	68-69	Accelerator Cable Support Bracket - 3x2.....	\$30⁹⁹
29411	68-73	Accelerator Firewall Seal.....	\$2⁹⁹
29412	74-81	Accelerator Firewall Seal.....	\$2⁹⁹
29401	68-69	Accelerator Lever.....	\$22⁹⁹
36668	68-69	Accelerator Pedal Pivot Support.....	\$53⁹⁹
29427	68	Accelerator Return Spring - 3x2.....	\$9⁹⁹
29429	69	Accelerator Return Spring - 3x2.....	\$9⁹⁹
29428	68-69	Accelerator Return Spring - Q-Jet.....	\$4⁹⁹
29432	70-72	Accelerator Return Spring - All.....	\$5⁹⁹
29440	74-82	Accelerator Return Spring Set (In/Out).....	\$8⁹⁹

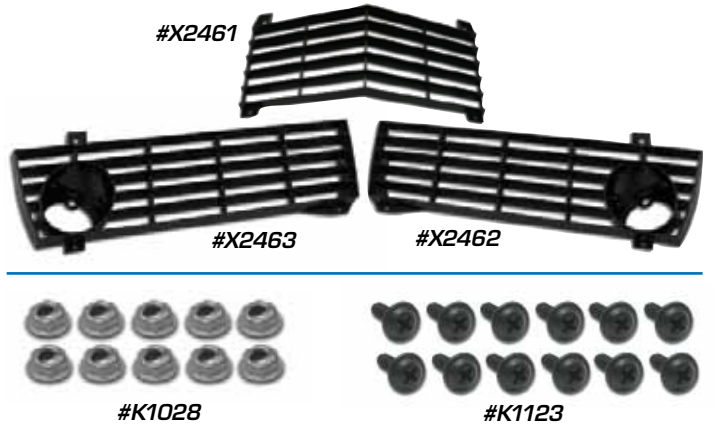
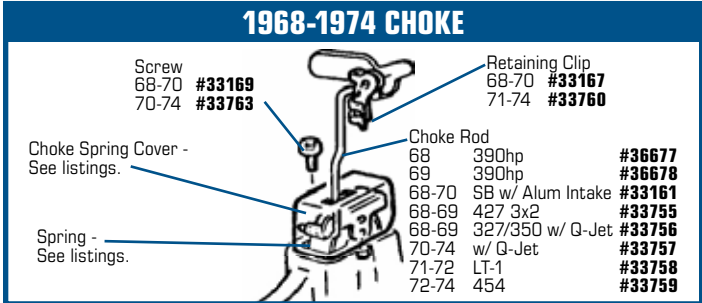
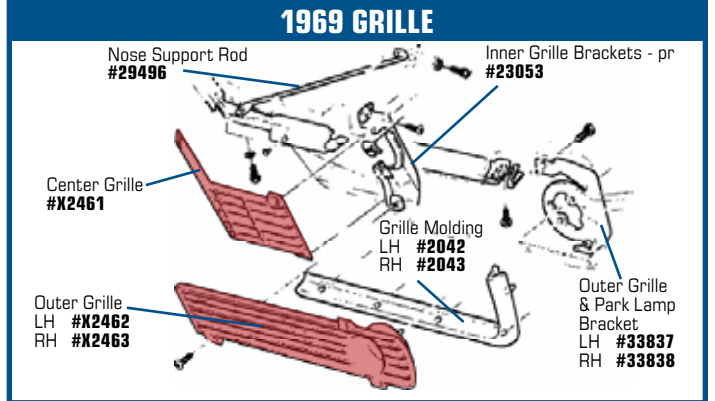
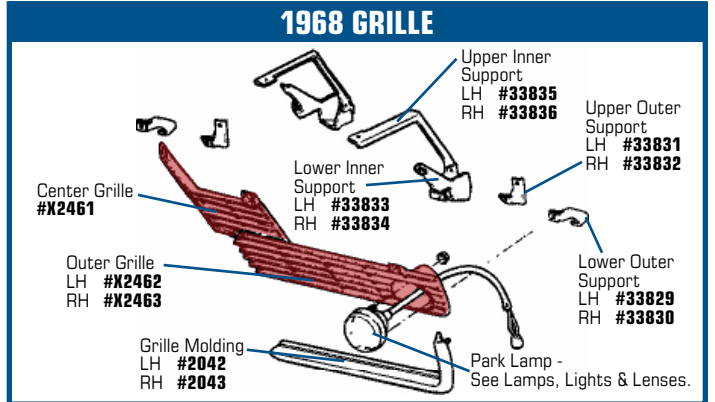


CARBURETOR, CHOKE & RELATED

46630	68-69	Carburetor - Holley - 427 - 3x2 - #3659.....	\$449⁹⁹
46632	68-69	Carburetor - Holley - 427 - 3x2 - Center - #4055.....	\$599⁹⁹
25805	68	Carb Kit - Holley #3659 HP 3x2 BB.....	\$45⁹⁹
25806	68	Carb Kit - Holley #3660 HP 3x2 BB.....	\$53⁹⁹
25810	68-69	Carb Kit - Holley #4055 HP BB.....	\$46⁹⁹

GRILLE & RELATED

25811	68-69 Carb Kit - Holley #4056 HP BB	\$46 ⁹⁹
25812	70 Carb Kit - Holley #4555 HP BB	\$58 ⁹⁹
25813	71 Carb Kit - Holley #4801 HP SB	\$58 ⁹⁹
25814	72 Carb Kit - Holley #6239 HP SB	\$58 ⁹⁹
36662	68-69 Carb Baffle - Q-Jet	\$7 ⁹⁹
33148	68-72 Carb Base Gasket - Holley w/ Aluminum Intake	\$8 ⁹⁹
50748	68-69 Carb Base Gasket - 3x2 - 3 Required	\$2 ⁹⁹
33152	68-69 Carb Base Gaskets - 3x2 - Set of 3	\$7 ⁹⁹
36661	68-69 Carb Base Gasket - Q-Jet - 300, 350, 390	\$5 ⁹⁹
36663	70 Carb Base Gasket - Q-Jet - 300, 350, 390	\$11 ⁹⁹
33149	70 Carb Base Gasket - 370hp	\$6 ⁹⁹
36664	71-73 Carb Base Gasket - Q-Jet	\$8 ⁹⁹
36665	72-73 Carb Heat Insulator - Q-Jet	\$13 ⁹⁹
36667	74-80 Carb Heat Insulator - Q-Jet	\$8 ⁹⁹
33145	68-69 Carb to Intake Mounting Stud & Nut Kit - 3x2	\$13 ⁹⁹
36660	68-74 Carb Mount Bolts - Q-Jet - 4 pc set	\$9 ⁹⁹
36672	72-74 Carb Idle Stop Solenoid - Replacement	\$36 ⁹⁹
36674	78 Carb Idle Stop Solenoid - Auto - L-82	\$41 ⁹⁹
36676	77-80 Carburetor Idle Stop Solenoid - Auto - L82	\$41 ⁹⁹
36675	71-72 Carb Idle Stop Solenoid Bracket - Holley	\$22 ⁹⁹
29441	68-69 Carb Linkage Set - Tri-Power - 3x2	\$46 ⁹⁹
36679	68-69 Vacuum Advance Line - 400/435hp Steel	\$19 ⁹⁹
36680	68-69 Vacuum Advance Line - 327 & 350	\$22 ⁹⁹
36684	71 Vacuum Advance Line - LT1, 365, 465hp	\$18 ⁹⁹
33769	75-80 Carb Choke Tube - Manifold to Carb	\$29 ⁹⁹
33770	75-80 Carb Fresh Air Tube - Manifold to Carb	\$34 ⁹⁹
25775	80-81 Electric Choke Adapter Lead	\$14 ⁹⁹
25773	80-81 Electric Choke Relay	\$23 ⁹⁹



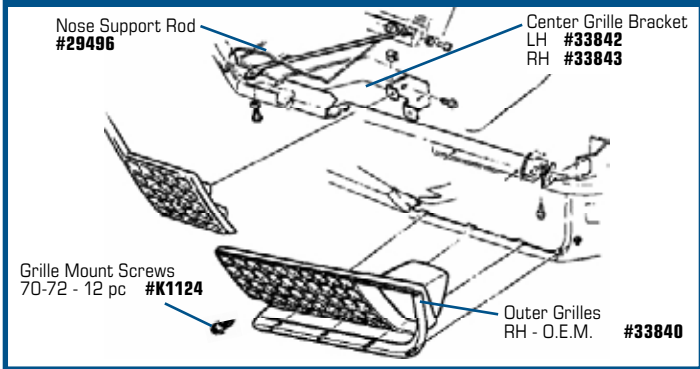
33168	68-70 Choke Coil Spring 68-69 427, 69-70 350 w/ SHP	\$22 ⁹⁹
33766	70-74 Choke Coil Spring - 70 454, 71-74 350	\$19 ⁹⁹
33767	71-72 Choke Coil Spring - 350 LT1	\$19 ⁹⁹
33765	71-74 Choke Coil Spring - 454	\$19 ⁹⁹
33170	68-70 Choke Coil Spring Cover	\$5 ⁹⁹
33764	68-69 Choke Coil Spring Cover - 3x2	\$17 ⁹⁹
33768	70-74 Choke Coil Spring Cover - 71-74 350, 70-74 454	\$7 ⁹⁹
33169	68-70 Choke Coil Spring Mount Screw	\$0 ⁹⁹
33763	70-74 Choke Coil Spring Mount Screw	\$0 ⁹⁹
33161	68-70 Choke Rod - 327/350 w/ Aluminum Intake	\$7 ⁹⁹
33755	68-69 Choke Rod - 3x2	\$8 ⁹⁹
33756	68-69 Choke Rod - 327/350 w/ Q-Jet	\$9 ⁹⁹
36677	68 Choke Rod - 390 HP	\$8 ⁹⁹
36678	69 Choke Rod - 390 HP	\$16 ⁹⁹
33757	70-74 Choke Rod - w/ Q-Jet	\$9 ⁹⁹
33758	71-72 Choke Rod - LT1	\$10 ⁹⁹
33759	72-74 Choke Rod - 454	\$11 ⁹⁹
33167	68-70 Choke Rod Clip	\$1 ⁹⁹
33760	71-74 Choke Rod Clip	\$2 ⁹⁹

X2461	68-69 Grille - Front Center	\$59 ⁹⁹
X2462	68-69 Grille - Front LH	\$59 ⁹⁹
X2463	68-69 Grille - Front RH	\$59 ⁹⁹
23053	69 Grille Brackets - Inner - pr	\$64 ⁹⁹
33837	69 Grille & Park Lamp Bracket - Outer - LH	\$32 ⁹⁹
33838	69 Grille & Park Lamp Bracket - Outer - RH	\$32 ⁹⁹
2042	68-69 Grille Molding - Outer - LH	\$119 ⁹⁹
2043	68-69 Grille Molding - Outer - RH	\$119 ⁹⁹
K1028	68-69 Grille Molding Speednuts - 10 pc set	\$2 ⁹⁹
K1123	68-69 Grille Mounting Screws - 12 pc	\$4 ⁹⁹
33833	68 Grille Support - Lower Inner - LH	\$74 ⁹⁹
33834	68 Grille Support - Lower Inner - RH	\$74 ⁹⁹
33829	68 Grille Support - Lower Outer - LH	\$79 ⁹⁹
33830	68 Grille Support - Lower Outer - RH	\$79 ⁹⁹
33835	68 Grille Support - Upper Inner - LH	\$54 ⁹⁹
33836	68 Grille Support - Upper Inner - RH	\$54 ⁹⁹
33831	68 Grille Support - Upper Outer - LH	\$19 ⁹⁹
33832	68 Grille Support - Upper Outer - RH	\$20 ⁹⁹
29496	68-72 Nose Support Rod	\$20 ⁹⁹

1982 FUEL INJECTION

50818	82 Fuel Injector - Front	\$139 ⁹⁹
50819	82 Fuel Injector - Rear	\$199 ⁹⁹

1970-1972 GRILLE

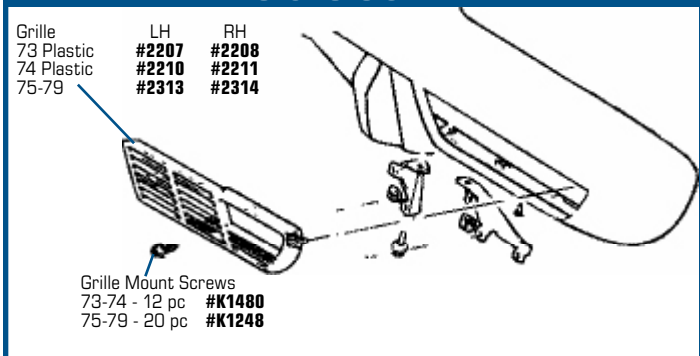


- X2491** 80-82 Grille - LH..... **\$54⁹⁹**
- X2492** 80-82 Grille - RH..... **\$54⁹⁹**
- 29497** 73-79 Nose Support Rod..... **\$19⁹⁹**
- K1480** 73-74 Grille Mount Screw Set - 12 pc..... **\$4⁹⁹**
- K1248** 75-79 Grille Mount Screws - 20 pc..... **\$4⁹⁹**



- 33842** 70-72 Center Grille Inner Mounting Bracket - LH..... **\$18⁹⁹**
- 33843** 70-72 Center Grille Inner Mounting Bracket - RH..... **\$18⁹⁹**
- K1124** 70-72 Grille Mounting Screws - 12 pc..... **\$4⁹⁹**
- 29496** 68-72 Nose Support Rod..... **\$20⁹⁹**
- 33840** 70-72 Outer Grille - O.E.M. - RH..... **\$836⁹⁹**
- 33844** 70-72 Outer Grille Inner Mount Bracket - LH..... **\$11⁹⁹**
- 33845** 70-72 Outer Grille Inner Mount Bracket - RH..... **\$11⁹⁹**
- 33846** 70-72 Outer Grille Outer Mount Bracket - LH..... **\$26⁹⁹**
- 33847** 70-72 Outer Grille Outer Mount Bracket - RH..... **\$26⁹⁹**

1973-1979 GRILLE



- 2209** 73 Grille - Center - Die-Cast Reproduction..... **\$179⁹⁹**
- 2207** 73 Grille - LH - Replacement..... **\$59⁹⁹**
- 2208** 73 Grille - RH - Replacement..... **\$59⁹⁹**



- 2212** 74 Grille - Center - Die-Cast Reproduction..... **\$179⁹⁹**
- 2210** 74 Grille - LH - Replacement..... **\$59⁹⁹**
- 2211** 74 Grille - RH - Replacement..... **\$59⁹⁹**
- 2313** 75-79 Grille - LH..... **\$49⁹⁹**
- 2314** 75-79 Grille - RH..... **\$49⁹⁹**

HARDTOP & RELATED



HARDTOP STORAGE CART

Safely and easily store your Corvette's hardtop or roof panel when it's not in use. Sturdy aluminum construction and padded contact points offer stable and safe support. Four swivel casters make it easy to move around the garage. Some assembly required. Instructions included. Use with a Hardtop Storage Cover for the ultimate combination of storage, mobility and protection!

- 51000** Hardtop/Roof Panel Storage Cart..... **\$139⁹⁹**

1968-1975 PREMIUM FLANNEL HARDTOP COVER

Our Flannel Hardtop Cover protects the inside and outside of your hardtop like a security blanket during storage. The easy-to-use Cover simply drapes over your hardtop to provide protection.

- 26584** 1968-75 Premium Flannel Hardtop Cover..... **\$39⁹⁹**



HARDTOP STORAGE CART

Our hardtop storage cart cradles your hardtop with soft foam padding at all contact points. Two of the four wheels lock to prevent accidental movement. Cart folds flat with the touch of a button for easy storage. Use with a Hardtop Storage Cover for the ultimate combination of storage, mobility and protection!

- 4100** Hardtop Storage Cart..... **\$184⁹⁹**



FRITZI HARDTOP HOIST

Give yourself a lift with the world's finest hardtop hoist. The Fritzi Hoist's pulley system makes a cumbersome job a quick and easy one. Make removal and short-term storage of your hardtop a safe and easy one-person task. Can be used on a multitude of automobiles. Ask for details.



41658 68-75 Fritzi Manual Hardtop Hoist **\$209⁹⁹**



HARDTOP HOIST AND HOIST HAND WINCH

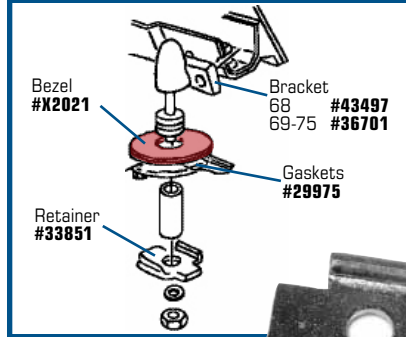
Make hardtop removal and installation a one-person job with our double pulley Hardtop Hoist. Includes a heavy-duty nylon sling, 30' of rope, hardware and instructions. Note: Not designed for hardtop storage in suspended position.

X2584 68-82 Hardtop Hoist **\$25⁹⁹**

The Hoist Hand Winch, with its ratchet mechanism, 600 lb. capacity, and comfortable handle, combined with our Hardtop Hoist allows you to hoist your hardtop and manage the extra rope with ease.

X2585 68-82 Hardtop Hoist Winch **\$18⁹⁹**

1968-75 HARDTOP REAR MOUNT



Bezel **#X2021**
Bracket 68 **#43497**
69-75 **#36701**
Gaskets **#29975**
Retainer **#33851**



#33851

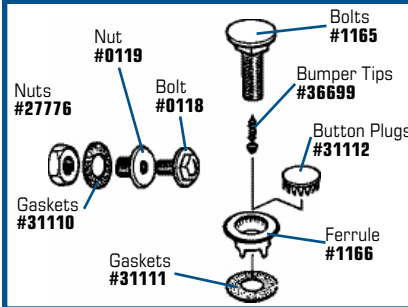
X2021 68-75 Hardtop Rear Latch On Deck Lid Bezel **\$29⁹⁹**
29975 68-75 Hardtop Rear Latch On Deck Lid Gaskets - pr **\$7⁹⁹**
43497 68 Hardtop Rear Latch Stud Bracket **\$55⁹⁹**
36701 69-75 Hardtop Rear Latch Stud Bracket **\$37⁹⁹**
33851 68-75 Hardtop Rear Latch Stud Retainer **\$9⁹⁹**



In-stock & ready for shipping!

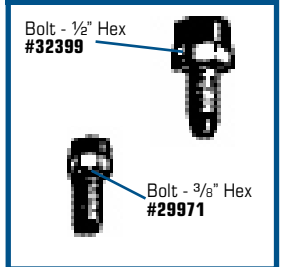
In addition to our regular delivery, we offer more options for getting your packages when you need them. Call our Sales Reps for details.

1968-1975 HARDTOP BOLTS



Nut **#0119**
Bolts **#1165**
Nuts **#27776**
Bolt **#0118**
Bumper Tips **#36699**
Button Plugs **#31112**
Gaskets **#31110**
Gaskets **#31111**
Ferrule **#1166**

1968-1975 HARDTOP LATCH BOLTS



Bolt - 1/2" Hex **#32399**
Bolt - 3/8" Hex **#29971**

29971 68-77 Bolt - Hardtop Latch - 3/8" Outside Diameter **\$3⁹⁹**
32399 68-75 Bolt - Hardtop Latch - 1/2" Outside Diameter **\$2⁹⁹**
0118 68-75 Hardtop Anchor Bolts - Side - pr **\$9⁹⁹**
0119 68-75 Hardtop Anchor Nut **\$4⁹⁹**
31110 68-75 Hardtop Anchor Nut Gaskets - pr **\$1⁹⁹**
K1276 68-75 Hardtop Anchor Nut - Jamb Nuts - pr **\$1⁹⁹**
1165 68-75 Hardtop Rear Bolts - pr **\$4⁹⁹**
36699 68-75 Hardtop Rear Bolt Bumper Tips - pr **\$2⁹⁹**
K1247 68-75 Hardtop Rear Bolt Nuts & Washers - 4 pc set **\$1⁹⁹**
36700 68-75 Hardtop Rear Bolt Rubber Washer **\$0⁹⁹**
1166 68-75 Hardtop Rear Ferrule **\$4⁹⁹**
31112 68-75 Hardtop Rear Ferrule Button Plugs - pr **\$2⁹⁹**
31111 68-75 Hardtop Rear Ferrule Gaskets - pr **\$0⁹⁹**
8159 68-75 Hardtop Mount Kit - 6 pc - 2 Anchor Bolts, 2 Anchor Nuts, 1 Rear Bolt & 1 Rear Ferrule **\$36⁹⁹**
42540 68-75 Hardtop Mount Kit - Deluxe - Incl. 2 Each of: Rear Bolt, Ferrule, Ferrule Gaskets, Rear Bolt Bumper Tips, Rear Hole Plug Buttons, Side Bolts, Nuts, Gaskets And Jamb Nut **\$44⁹⁹**



MORE HARDTOP HARDWARE & RELATED

33799 68-75 Hardtop Header Trim Molding **\$109⁹⁹**
43328 68-75 Hardtop Top Latch - LH **\$57⁹⁹**
43329 68-75 Hardtop Top Latch - RH **\$57⁹⁹**
43330 68-75 Hardtop Top Latch - Center **\$57⁹⁹**
43331 68 Hardtop Top Latch - LH **\$57⁹⁹**
43332 68 Hardtop Top Latch - RH **\$57⁹⁹**
43333 68 Hardtop Top Latch - Center **\$57⁹⁹**
1722 68 Hardtop Front Guide Pin Bushings - pr **\$4⁹⁹**
29973 69-75 Hardtop Front Guide Pin Bushing **\$4⁹⁹**
29972 68-75 Hardtop Front Guide Pin Screw Set **\$4⁹⁹**
43724 68-75 Hardtop Rear Tips - Stainless Steel - pr **\$39⁹⁹**
20686 68-71 Hardtop Wrench **\$28⁹⁹**